

# SACC-M12MST-4PL-CM SH - Power connector



1080215

<https://www.phoenixcontact.com/gb/products/1080215>

Please be informed that the data shown in this PDF document is generated from our online catalog. Please find the complete data in the user documentation. Our general terms of use for downloads are valid.



Power connector, Power, 4-position, shielded, Plug straight M12, coding: T, Push-lock spring connection, knurl material: Brass, nickel-plated, external cable diameter 6 mm ... 11 mm, Contact 4 leading

## Your advantages

- Time-saving Push-Lock connection: Tool-free connection and disconnection of conductors by opening the contact levers
- Intuitive connection: Easy assignment of individual litz wires with color-coded and numerical identification of the contact levers
- Integrated Push-in Technology: Wire rigid and pretreated conductors easily by means of simple, direct insertion
- Shock- and vibration-resistant connection: Proven spring-cage technology guarantees secure and reliable contacting
- Safely shielded: Reliable 360° shield connection even under extreme mechanical strain

## Commercial data

Item number	1080215
Packing unit	1 pc
Minimum order quantity	1 pc
Sales key	AF2CFP
Product key	AF2CFP
GTIN	4055626802831
Weight per piece (including packing)	74.4 g
Weight per piece (excluding packing)	74.4 g
Customs tariff number	85366990
Country of origin	Information on the country of origin is provided with the delivery.

# SACC-M12MST-4PL-CM SH - Power connector



1080215

<https://www.phoenixcontact.com/gb/products/1080215>

## Technical data

### Notes

Assembly note	<b>NOTE:</b> Observe the permissible bending radii when routing cables, since the degree of protection may be at risk if the bending forces are too high. Reduce mechanical loads upstream of the connector, e.g., by using cable ties.
---------------	---

### Mounting

Assembly note	The wires can be connected both with ferrules and without ferrules
---------------	--

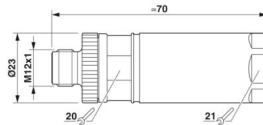
### Product properties

Application	Energy supply
Sensor type	Power
Number of positions	4
No. of cable outlets	1
Shielded	yes
Coding	T
Cable outlet	straight

### Insulation characteristics

Overvoltage category	III
Degree of pollution	3

### Dimensions

Dimensional drawing	
Length	70 mm

### External dimensions

Outside diameter	6 mm ... 11 mm
------------------	----------------

### Housing

Diameter housing	23 mm
------------------	-------

### Material specifications

Flammability rating according to UL 94	V0
Material of grip body	Brass, nickel-plated
Contact surface material	Au
Material for screw connection	Brass, nickel-plated

### Connection data

# SACC-M12MST-4PL-CM SH - Power connector



1080215

<https://www.phoenixcontact.com/gb/products/1080215>

## Conductor connection

Connection method	Push-lock spring connection
Connection cross section	2.5 mm <sup>2</sup> ... 1.5 mm <sup>2</sup>
	0.75 mm <sup>2</sup> ... 2.5 mm <sup>2</sup> (with ferrule)
	1.5 mm <sup>2</sup> ... 1.5 mm <sup>2</sup> (solid)
Connection cross section AWG	16 ... 14 (without ferrule)
	18 ... 14 (with ferrule)
Stripping length of the individual wire	10 mm
Tightening torque	0.6 Nm (M12 knurl)
	5 Nm (Pressure nut with connector housing)

## Connection assignment

Contact   Color (signal designation)   Contact (optional)	1 = BN
	2 = WH
	3 = BU
	4 = BK

## Electrical properties

Rated surge voltage	1.5 kV
Nominal voltage U <sub>N</sub>	63 V DC
Nominal current I <sub>N</sub>	12 A (when using 1.5 mm <sup>2</sup> conductors)
	12 A (at 40 °C)

## Mechanical properties

### Mechanical data

Insertion/withdrawal cycles	≥ 100
-----------------------------	-------

## Connector

### Connection 1

Head design	Plug
Head cable outlet	straight
Head thread type	M12
Coding	T

## Cable/line

Signal type/category	Power
Stripping length of the individual wire	10 mm

## Environmental and real-life conditions

### Ambient conditions

Degree of protection	IP65
Ambient temperature (operation) (male connector/female connector)	-40 °C ... 85 °C (Plug / socket)

# SACC-M12MST-4PL-CM SH - Power connector



1080215

<https://www.phoenixcontact.com/gb/products/1080215>

## Standards and regulations

Standard designation	M12 connector
Standards/specifications	according to IEC 61076-2-111

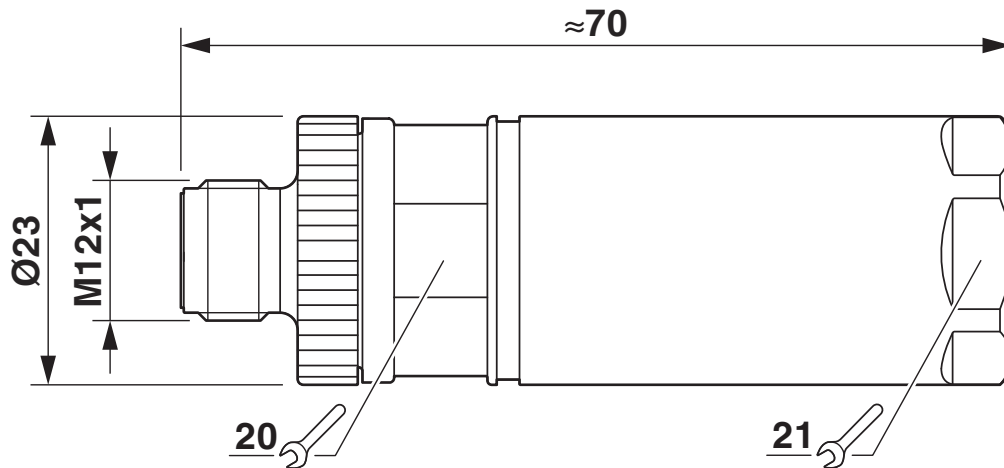
# SACC-M12MST-4PL-CM SH - Power connector

1080215

<https://www.phoenixcontact.com/gb/products/1080215>

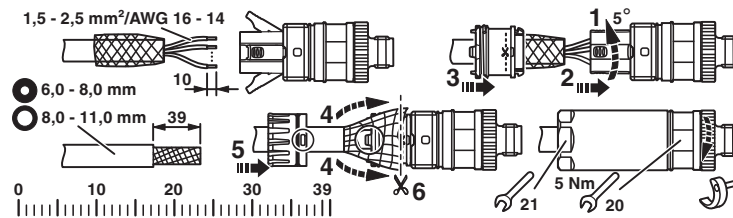
## Drawings

Dimensional drawing



Plug, M12 x 1, straight, shielded

Functional drawing



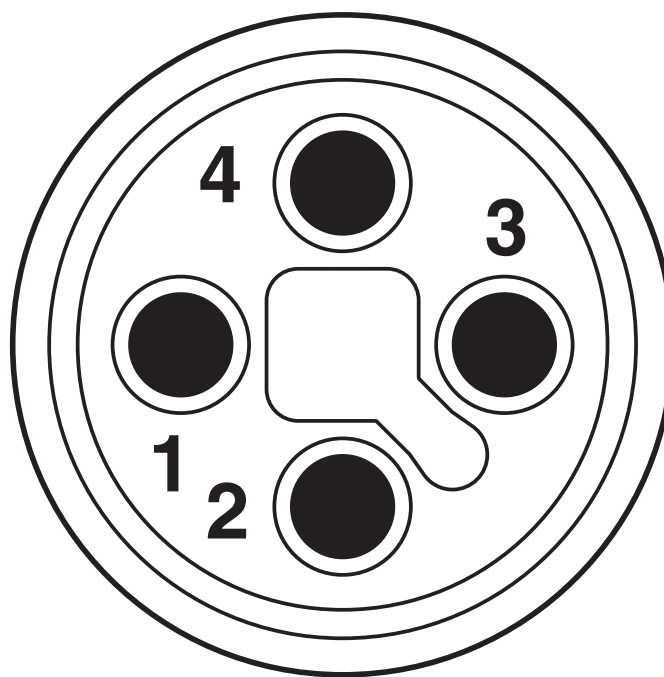
# SACC-M12MST-4PL-CM SH - Power connector

1080215

<https://www.phoenixcontact.com/gb/products/1080215>



Schematic diagram



Connector pin assignment of M12 plug, 4-pos., T-coded, view of pin side

# SACC-M12MST-4PL-CM SH - Power connector



1080215

<https://www.phoenixcontact.com/gb/products/1080215>

## Classifications

### ECLASS

ECLASS-13.0	27440116
ECLASS-15.0	27440116

### ETIM

ETIM 10.0	EC002635
-----------	----------

### UNSPSC

UNSPSC 21.0	39121400
-------------	----------

# SACC-M12MST-4PL-CM SH - Power connector



1080215

<https://www.phoenixcontact.com/gb/products/1080215>

## Environmental product compliance

### EU RoHS

Fulfills EU RoHS substance requirements	Yes, No exemptions
---	--------------------

### China RoHS

Environment friendly use period (EFUP)	EFUP-E
	No hazardous substances above the limits

### EU REACH SVHC

REACH candidate substance (CAS No.)	No substance above 0.1 wt%
-------------------------------------	----------------------------

Phoenix Contact 2026 © - all rights reserved  
<https://www.phoenixcontact.com>

PHOENIX CONTACT Ltd  
Halesfield 13, Telford  
Shropshire, TF7 4PG  
01952 681700  
[info@phoenixcontact.co.uk](mailto:info@phoenixcontact.co.uk)