

SACC-M12MRD-4Q SH PN - Data connector



1554539

<https://www.phoenixcontact.com/gb/products/1554539>

Please be informed that the data shown in this PDF document is generated from our online catalog. Please find the complete data in the user documentation. Our general terms of use for downloads are valid.

Data connector, PROFINET CAT5 (100 Mbps), 4-position, shielded, Plug angled M12, coding: D, Insulation displacement connection, knurl material: Brass, nickel-plated, external cable diameter 4 mm ... 8 mm



Your advantages

- Safe use in the field, thanks to a high degree of protection
- Insulation displacement connection: innovative and time-saving assembly without stripping the single wire
- Reliable signal transmission – 360° shielding in environments with electromagnetic interference

Commercial data

Item number	1554539
Packing unit	1 pc
Minimum order quantity	1 pc
Sales key	AF2CDN
Product key	AF2CDN
GTIN	4046356166225
Weight per piece (including packing)	38.5 g
Weight per piece (excluding packing)	38.5 g
Customs tariff number	85366990
Country of origin	DE

Technical data

Notes

General	This product corresponds to the PROFINET Cabling and Interconnection Technology Guideline for PROFINET regulations, version 2.00, order no: 2.252, Chapter 8.2 Connectors for Outside Environment (Balanced cabling)
Assembly note	NOTE: Observe the permissible bending radii when routing cables, since the degree of protection may be at risk if the bending forces are too high. Reduce mechanical loads upstream of the connector, e.g., by using cable ties.

Mounting

Assembly note	The connector pin assignment can be rotated 45° to the cable outlet
---------------	---

Product properties

Application	Data
Sensor type	PROFINET
Number of positions	4
No. of cable outlets	1
Shielded	yes
Coding	D
Cable outlet	angled

Insulation characteristics

Overvoltage category	II
Degree of pollution	3

Dimensions

External dimensions

Outside diameter	4 mm ... 8 mm
------------------	---------------

Material specifications

Flammability rating according to UL 94	V0
Seal material	Neoprene
Material of grip body	Zinc die-cast, nickel-plated
Contact material	CuSn
Contact surface material	Ni/Au
Contact carrier material	PA 6
Material for screw connection	Brass, nickel-plated

Connection data

Conductor connection

Connection method	Insulation displacement connection
-------------------	------------------------------------

SACC-M12MRD-4Q SH PN - Data connector



1554539

<https://www.phoenixcontact.com/gb/products/1554539>

Connection cross section AWG	23 ... 22
Tightening torque	0.4 Nm (M12 knurl)
	0.8 Nm (Connector with coupling sleeve)
	3 Nm (Pressure nut with coupling sleeve)

Connection assignment

Contact Color (signal designation) Contact (optional)	1 (Plug) = YE (TD+)
	3 (Plug) = OG (TD-)
	2 (Plug) = WH (RD+)
	4 (Plug) = BU (RD-)

Electrical properties

Contact resistance	$\leq 5 \text{ m}\Omega$
Insulation resistance	$\geq 100 \text{ M}\Omega$
Nominal voltage U_N	48 V AC
	60 V DC
Nominal current I_N	1.75 A
Transmission speed	100 Mbps

Mechanical properties

Mechanical data

Insertion/withdrawal cycles	≥ 100
-----------------------------	------------

Connector

Connection 1

Head design	Plug
Head cable outlet	angled
Head thread type	M12
Coding	D

Cable/line

Signal type/category	PROFINET CAT5 (based on IEC 11801), 100 Mbps
----------------------	--

Environmental and real-life conditions

Ambient conditions

Degree of protection	IP67
Ambient temperature (operation) (male connector/female connector)	-40 °C ... 85 °C (Plug / socket)

Standards and regulations

M12

Standard designation	M12 connector
Standards/specifications	according to IEC 61076-2-101

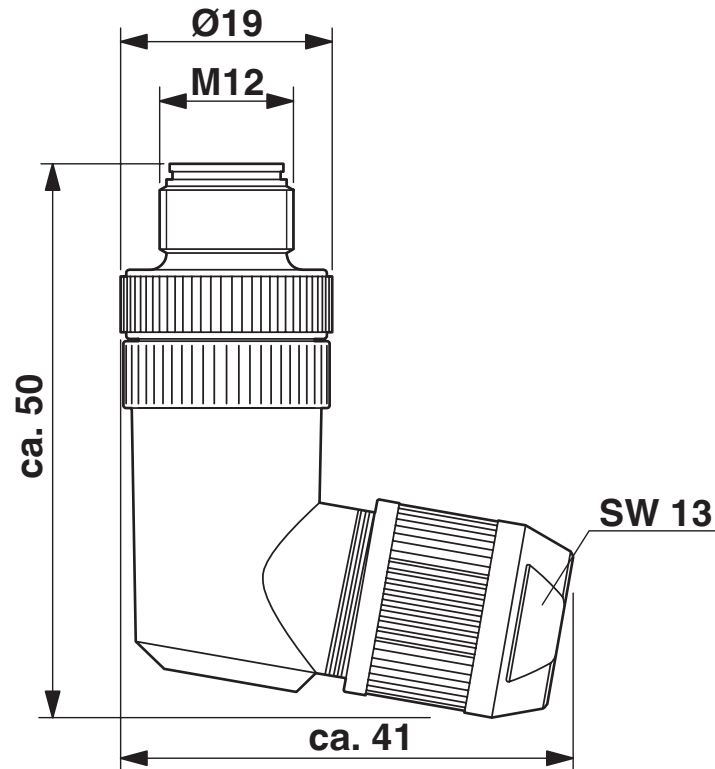
SACC-M12MRD-4Q SH PN - Data connector

1554539

<https://www.phoenixcontact.com/gb/products/1554539>

Drawings

Dimensional drawing



M12 x 1 male plug, angled, shielded

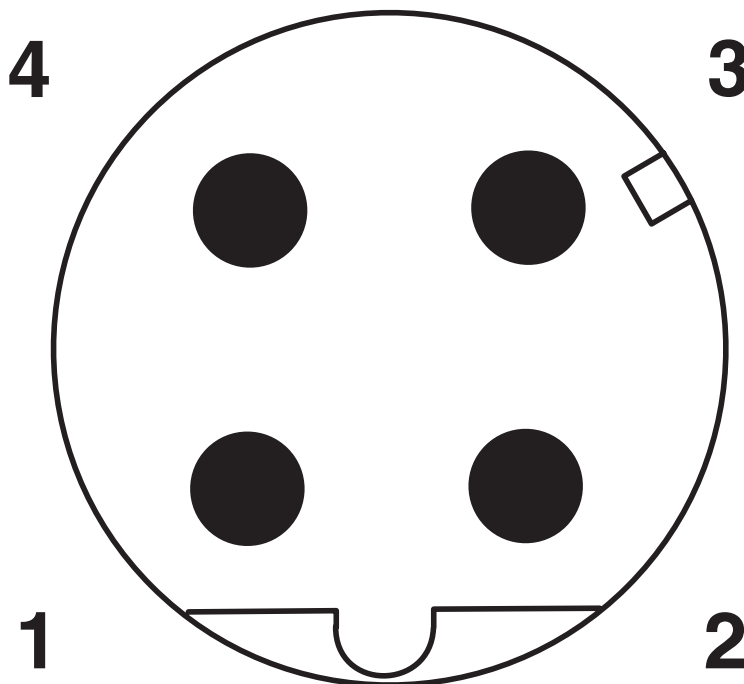
SACC-M12MRD-4Q SH PN - Data connector

1554539

<https://www.phoenixcontact.com/gb/products/1554539>



Schematic diagram



Pin assignment M12 male connector, 4-pos., D-coded, male side

SACC-M12MRD-4Q SH PN - Data connector



1554539

<https://www.phoenixcontact.com/gb/products/1554539>

Classifications

ECLASS

ECLASS-13.0	27440116
ECLASS-15.0	27440116

ETIM

ETIM 10.0	EC002635
-----------	----------

UNSPSC

UNSPSC 21.0	39121400
-------------	----------

SACC-M12MRD-4Q SH PN - Data connector



1554539

<https://www.phoenixcontact.com/gb/products/1554539>

Environmental product compliance

EU RoHS

Fulfills EU RoHS substance requirements	Yes, No exemptions
---	--------------------

China RoHS

Environment friendly use period (EFUP)	EFUP-E
	No hazardous substances above the limits

EU REACH SVHC

REACH candidate substance (CAS No.)	2-(2H-benzotriazol-2-yl)-4-(1,1,3,3-tetramethylbutyl)phenol (UV-329)(CAS: 3147-75-9)
SCIP	8b90fa30-8da7-43b6-8604-62d355153c4c

EF3.1 Climate Change

CO2e kg	0.562 kg CO2e
---------	---------------

Phoenix Contact 2026 © - all rights reserved
<https://www.phoenixcontact.com>

PHOENIX CONTACT Ltd
Halesfield 13, Telford
Shropshire, TF7 4PG
01952 681700
info@phoenixcontact.co.uk