

FLM TEMP 4 RTD M12 - Distributed I/O device



2736819

<https://www.phoenixcontact.com/gb/products/2736819>

Please be informed that the data shown in this PDF document is generated from our online catalog. Please find the complete data in the user documentation. Our general terms of use for downloads are valid.



The local bus device has 4 inputs for resistive temperature sensors. Functions: 180 μ s A/D conversion time, measured value output in 16-bit values, 500 kbaud/2 Mbaud selection, PCP configuration, short-circuit/overload protection, M12 fast connection technology.

Your advantages

- Flexible power supply concept
- SPEEDCON fast locking system
- Diagnostic and status indicators
- Short-circuit and overload protection
- Consistent connection via M12 connectors

Commercial data

Item number	2736819
Packing unit	1 pc
Minimum order quantity	1 pc
Sales key	DRI443
Product key	DRI443
GTIN	4046356163248
Weight per piece (including packing)	333 g
Weight per piece (excluding packing)	280 g
Customs tariff number	85176200
Country of origin	DE

FLM TEMP 4 RTD M12 - Distributed I/O device

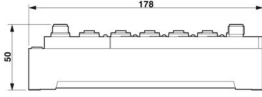


2736819

<https://www.phoenixcontact.com/gb/products/2736819>

Technical data

Dimensions

Dimensional drawing	
Width	70 mm
Height	178 mm
Depth	50 mm
Drill hole spacing	168 mm

Notes

Note on application

Note on application	Only for industrial use
---------------------	-------------------------

Material specifications

Color	anthracite
-------	------------

Interfaces

Fieldline local bus

Connection method	M12 connector, B-coded
Transmission speed	500 kbps / 2 Mbps
Transmission physics	Copper

System properties

Module

ID code (dec.)	223
ID code (hex)	DF
Length code (hex)	05
Length code (dec)	05
Process data channel	80 bit
Input address area	10 Byte
Output address area	10 Byte
Register length	96 bit
Required parameter data	17 Byte
Required configuration data	5 Byte

Input data

FLM TEMP 4 RTD M12 - Distributed I/O device



2736819

<https://www.phoenixcontact.com/gb/products/2736819>

Analog:

Number of inputs	max. 4 (for resistance temperature detectors)
Connection method	M12 connector
Connection technology	2-, 3-, 4-conductor (shielded)

Analog:

Number of inputs	max. 4 (for resistance temperature detectors)
Connection method	M12 connector
Connection technology	2-, 3-, 4-conductor (shielded)
Sensor types (RTD) that can be used	Pt, Ni, KTY sensors, linear resistors
Input filter time	4.1 ms (default setting or 0.6 ms; adjustable for each channel)
Process data update	Dependent on the connection method

Product properties

Type	modular
------	---------

Electrical properties

Potentials

Voltage supply U_L	24 V DC
Power supply at U_L	max. 4 A
Current consumption from U_L	max. 100 mA (At 2 Mbaud) typ. 70 mA
Voltage supply U_S	24 V DC
Power supply at U_S	max. 4 A
Current consumption from U_S	typ. 5 mA (plus power supply for sensors) max. 400 mA

Supply: Module electronics

Supply voltage	24 V DC
Supply voltage range	18 V DC ... 30 V DC (including ripple)

Connection data

Connection method	M12 connector
-------------------	---------------

Environmental and real-life conditions

Ambient conditions

Ambient temperature (operation)	-25 °C ... 60 °C
Degree of protection	IP65/IP67
Air pressure (operation)	80 kPa ... 106 kPa (up to 2000 m above sea level)
Air pressure (storage/transport)	70 kPa ... 106 kPa (up to 3000 m above sea level)
Ambient temperature (storage/transport)	-25 °C ... 85 °C
Permissible humidity (storage/transport)	95 %

Standards and regulations

FLM TEMP 4 RTD M12 - Distributed I/O device



2736819

<https://www.phoenixcontact.com/gb/products/2736819>

Protection class

III (IEC 61140, EN 61140, VDE 0140-1)

Mounting

Mounting type

Panel mounting

FLM TEMP 4 RTD M12 - Distributed I/O device

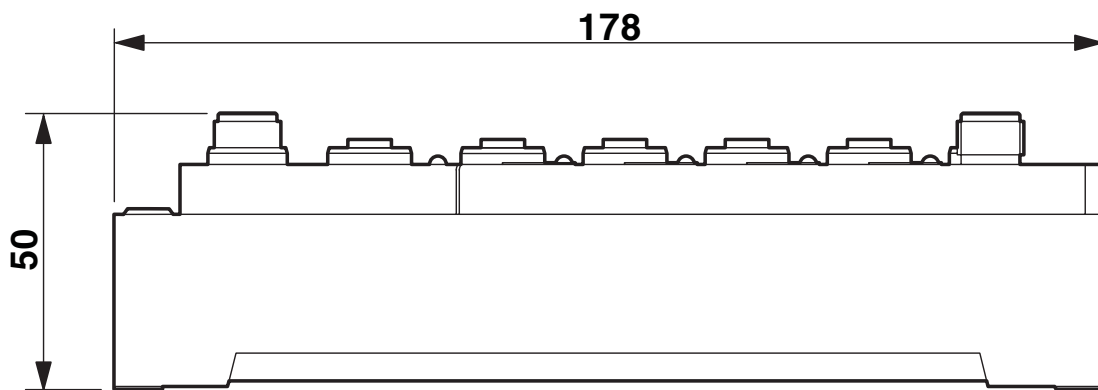


2736819

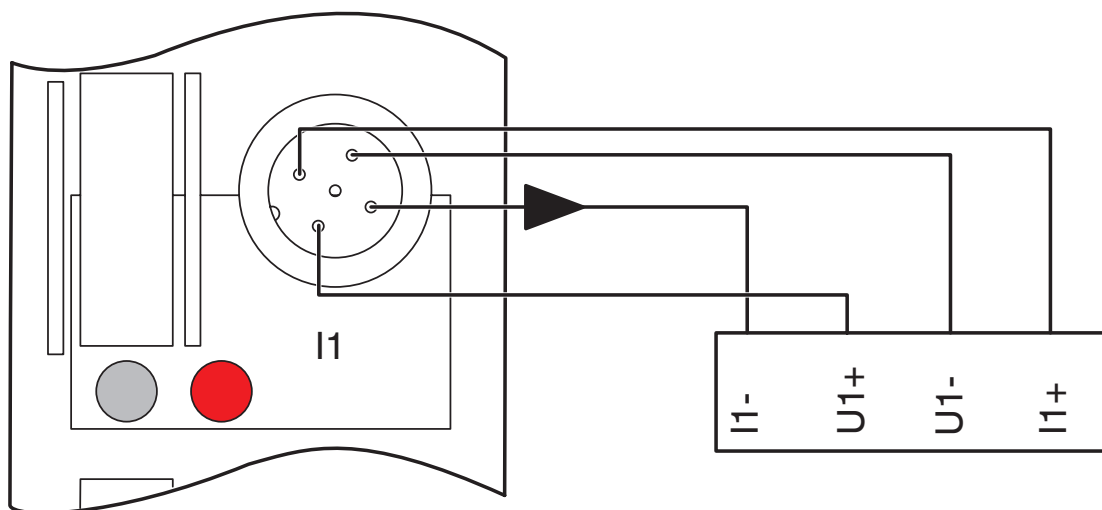
<https://www.phoenixcontact.com/gb/products/2736819>

Drawings

Dimensional drawing



Connection diagram



FLM TEMP 4 RTD M12 - Distributed I/O device



2736819

<https://www.phoenixcontact.com/gb/products/2736819>

Classifications

ECLASS

ECLASS-13.0	27242601
ECLASS-15.0	27242601

UNSPSC

UNSPSC 21.0	32151600
-------------	----------

FLM TEMP 4 RTD M12 - Distributed I/O device



2736819

<https://www.phoenixcontact.com/gb/products/2736819>

Environmental product compliance

EU RoHS

Fulfills EU RoHS substance requirements	Yes
Exemption	6(c), 7(a), 7(c)-I

China RoHS

Environment friendly use period (EFUP)	EFUP-E
	No hazardous substances above the limits

EU REACH SVHC

REACH candidate substance (CAS No.)	Lead(CAS: 7439-92-1)
-------------------------------------	----------------------

Phoenix Contact 2026 © - all rights reserved

<https://www.phoenixcontact.com>

PHOENIX CONTACT Ltd
Halesfield 13, Telford
Shropshire, TF7 4PG
01952 681700
info@phoenixcontact.co.uk