

# EM-MP 45N - Mounting panel

2943712

<https://www.phoenixcontact.com/gb/products/2943712>

Please be informed that the data shown in this PDF document is generated from our online catalog. Please find the complete data in the user documentation. Our general terms of use for downloads are valid.

Mounting panel, for screwing on size 0 switching devices



## Commercial data

Item number	2943712
Packing unit	10 pc
Minimum order quantity	10 pc
Sales key	ACGEAA
Product key	ACGEAA
GTIN	4017918081263
Weight per piece (including packing)	15.77 g
Weight per piece (excluding packing)	15.77 g
Customs tariff number	39269097
Country of origin	DE

# EM-MP 45N - Mounting panel

2943712

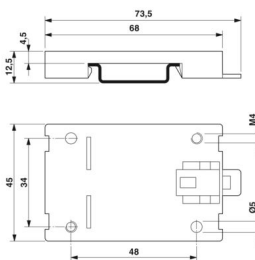
<https://www.phoenixcontact.com/gb/products/2943712>

## Technical data

### Product properties

Housing type	DIN rail adapter
Type	Flat version, 45 mm wide

### Dimensions

Dimensional drawing	
Width	45 mm
Length	68 mm

### Material specifications

Color (Housing)	green (RAL 6021)
Material Housing	PC (fiber-reinforced)
Surface characteristics	untreated

### Environmental and real-life conditions

#### Ambient conditions

Ambient temperature (operation)	-40 °C ... 105 °C
---------------------------------	-------------------

# EM-MP 45N - Mounting panel

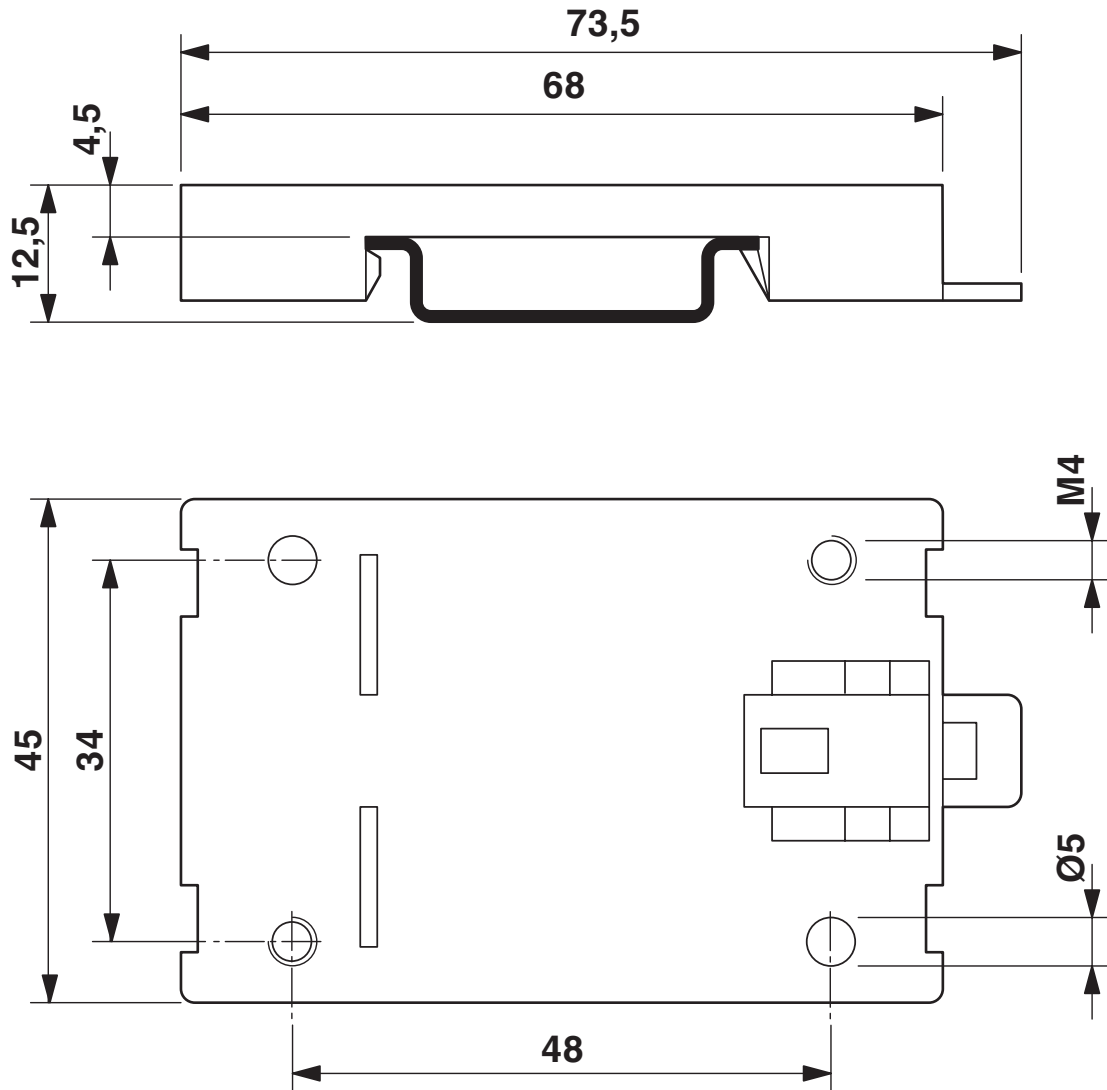


2943712

<https://www.phoenixcontact.com/gb/products/2943712>

## Drawings

Dimensional drawing



# EM-MP 45N - Mounting panel



2943712

<https://www.phoenixcontact.com/gb/products/2943712>

## Classifications

### ECLASS

ECLASS-13.0	27190605
ECLASS-15.0	27190605

### ETIM

ETIM 10.0	EC002779
-----------	----------

### UNSPSC

UNSPSC 21.0	31261500
-------------	----------

# EM-MP 45N - Mounting panel



2943712

<https://www.phoenixcontact.com/gb/products/2943712>

## Environmental product compliance

### EU RoHS

Fulfills EU RoHS substance requirements	Yes, No exemptions
---	--------------------

### China RoHS

Environment friendly use period (EFUP)	EFUP-E
	No hazardous substances above the limits

### EU REACH SVHC

REACH candidate substance (CAS No.)	No substance above 0.1 wt%
-------------------------------------	----------------------------

Phoenix Contact 2026 © - all rights reserved  
<https://www.phoenixcontact.com>

PHOENIX CONTACT Ltd  
Halesfield 13, Telford  
Shropshire, TF7 4PG  
01952 681700  
[info@phoenixcontact.co.uk](mailto:info@phoenixcontact.co.uk)