

Control Unit Ex e, Polyamide, Emergency Stop

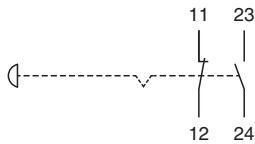
LRP1.D.E4MZAR.B.1

- Emergency stop mushroom button 40 mm, red, twist-to-release - 1x NO / 1x NC
- Polyamide (PA) enclosure
- Ex db eb and Ex tb certified
- Installation in Zone 1, Zone 2, Zone 21 and Zone 22
- Degree of protection IP66
- Protective lid, padlockable
- Bottom face cable gland polyamide, 1x M20

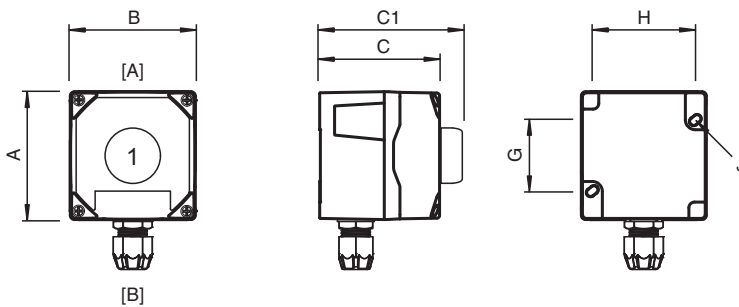


Connection

	11	23
0	X	
I		X
	12	24



Dimensions



Dimension values see data table.

Image and drawing are generic for this device type and may deviate from the specific variant.

Release date: 2023-09-21 Date of issue: 2023-09-21 Filename: 70143999_eng.pdf

Refer to "General Notes Relating to Pepperl+Fuchs Product Information".

Pepperl+Fuchs Group
www.pepperl-fuchs.com

USA: +1 330 486 0002
pa-info@us.pepperl-fuchs.com

Germany: +49 621 776 2222
pa-info@de.pepperl-fuchs.com

Singapore: +65 6779 9091
pa-info@sg.pepperl-fuchs.com

PF PEPPERL+FUCHS

Technical Data

Electrical specifications	
Operating voltage	250 V max.
Operating current	13 A max.
Terminal capacity	2.5 mm ²
Terminal torque	0.8 Nm
Function	mushroom button
Color	red
Shroud	plastic lid
Contact configuration	1x NO / 1x NC all NC contacts have a direct opening action for emergency stop functions
Usage category	AC12 - 12 ... 250 V AC - 13 A AC15 - 12 ... 250 V AC - 10 A DC13 - 12 ... 110 V DC - 1 A
Number of poles	2
Operator action	latching , twist to release
Labeling	none as standard
Mechanical specifications	
Enclosure range	LRP
Enclosure cover	fully detachable
Cover fixing	
Screws	M4 stainless steel combination Phillips and slotted screw
Number	4
Tightening torque	1.5 Nm
Degree of protection	IP66
Cable entry	thru-holes
Cable entry face B	
M20 quantity	1
M20 series	Cable Glands, Plastic
M20 type	CG.PEDS1.M20.*
M20 clamping range	6 ... 12 mm
Defined entry area	face B
Material	
Enclosure	Polyamide (PA)
Finish	inherent color black
Seal	one piece closed cell silicone
Mass	approx. 0.53 kg
Dimensions	
External dimension (A)	90 mm
External dimension (B)	88 mm
External dimension (C)	85 mm
External dimension with operating element (C1)	134.5 mm
Mounting holes distance (G)	50 mm
Mounting holes distance (H)	72.5 mm
Mounting holes diameter (J)	5.6 mm
Tightening torque	
Nut torque at enclosure (SW1)	see datasheets of cable glands
Mounting	2 screws
Grounding	2x 2.5mm ² grounding terminal
Ambient conditions	
Ambient temperature	-40 ... 55 °C (-40 ... 131 °F) @ T4 -40 ... 40 °C (-40 ... 104 °F) @ T6
Data for application in connection with hazardous areas	
EU-type examination certificate	CML 16 ATEX 3009X

Release date: 2023-09-21 | Date of issue: 2023-09-21 | Filename: 70143999_eng.pdf

Technical Data

Marking	Ⓜ II 2 GD Ex db eb IIC T* Gb Ex tb IIIC T** °C Db T4/T130 °C @ Ta +55 °C (T6/T80 °C @ Ta +40 °C on request)	
International approvals		
IECEX approval	IECEX CML 16.0008X	
UKCA approval	CML 22 UKEX 2550X	
Further approvals	further on request	
Conformity		
Degree of protection	EN60529	
Usage category	IEC / EN 60947	
CE marking	0080 or 0102, see type label	
General information		
Ordering information	This device will be delivered completely configured and assembled ready for use. For configuration details please contact Customer Service.	
Supplementary information	EC-Type Examination Certificate, Statement of Conformity, Declaration of Conformity, Attestation of Conformity and instructions have to be observed where applicable. For information see www.pepperl-fuchs.com .	
Accessories		
Optional accessories	engraved traffolyte tag label engraved AISI 316L stainless steel tag label color in-fill stainless steel tag label	