

motor operator 24-60 V DC accessory for: 3VA53/54; 3VA63/64



Model	
product brand name	SENTRON
product designation	Motor operator (MO)
accessories	Motorized operating mechanism (MO)
General technical data	
make time / typical	1.7 s
break time / typical	1.3 s
Voltage	
type of voltage / of the operating voltage / for actuation	DC
Rated control supply voltage U_s with DC	
• minimum	24 V
• maximal	60 V
operating apparent power	250 VA
Mechanical Design	
height	92 mm
width	138 mm
depth	149 mm
Net Weight	1.489 kg
connectable conductor cross-section / solid	
• minimum	1.5 mm ²
• maximum	2.5 mm ²
connectable conductor cross-section / finely stranded / with core end processing	
• minimum	1.5 mm ²
• maximum	2.5 mm ²
connectable conductor cross-section / stranded	
• minimum	1.5 mm ²
• maximum	2.5 mm ²
tightening torque	
• minimum	0.36 N·m
• maximum	0.44 N·m
Connections according IEC	
stripped length	7 mm
Connections according UL	
ambient temperature / during operation	
• minimum	-25 °C
• maximum	70 °C
ambient temperature / during storage	
• minimum	-40 °C

Certificates



General Product Approval

[Confirmation](#)



[Miscellaneous](#)



EMV	Test Certificates	Maritime application	other		Dangerous goods
	Type Test Certificates/Test Report		Confirmation	Miscellaneous	Transport Information

Environment

[Environmental Confirmations](#)

[Environmental Confirmations](#)

Further information

Information on the packaging

<https://support.industry.siemens.com/cs/ww/en/view/109813875>

Information for data generation and storage

<https://support.industry.siemens.com/cs/ww/en/view/109995012>

Information- and Downloadcenter (Catalogs, Brochures,...)

<https://www.siemens.com/lowvoltage/catalogs>

Industry Mall (Online ordering system)

<https://mall.industry.siemens.com/mall/en/en/Catalog/product?mlfb=3VA9447-0HA10>

Service&Support (Manuals, Certificates, Characteristics, FAQs,...)

<https://support.industry.siemens.com/cs/ww/en/ps/3VA9447-0HA10>

Image database (product images, 2D dimension drawings, 3D models, device circuit diagrams, ...)

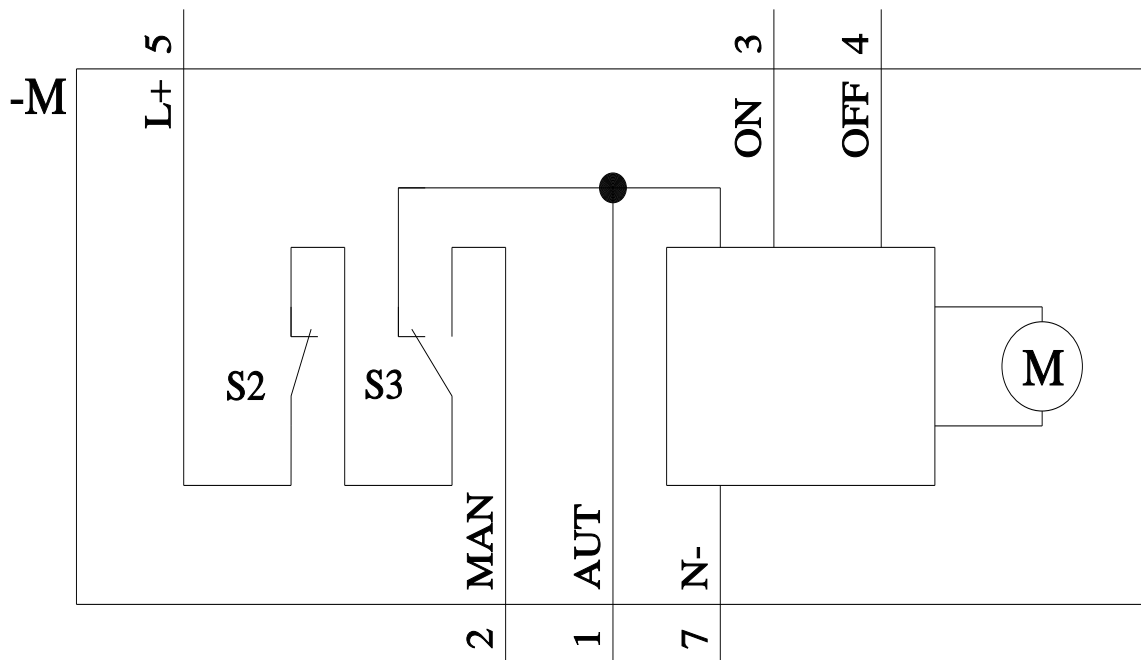
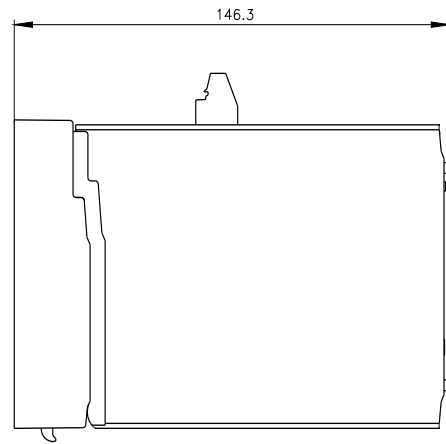
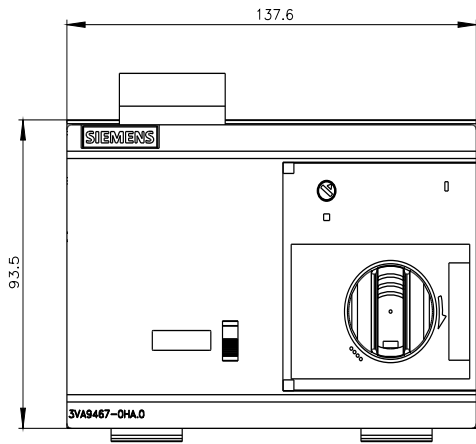
https://www.automation.siemens.com/bilddb/cax_en.aspx?mlfb=3VA9447-0HA10

CAx-Online-Generator

<https://www.siemens.com/cax>

Tender specifications

<https://www.siemens.com/specifications>



last modified:

4/28/2025

