

# SACC-MINFS-3CON-PG13 - Connector



1521313

<https://www.phoenixcontact.com/gb/products/1521313>

Please be informed that the data shown in this PDF document is generated from our online catalog. Please find the complete data in the user documentation. Our general terms of use for downloads are valid.



Connector, Universal, 3-position, Socket straight 7/8"-16UNF, coding: A, Screw connection, knurl material: Zinc die-cast, nickel-plated, cable gland Pg13,5, external cable diameter 10 mm ... 12 mm

## Your advantages

- Safe use in the field, thanks to a high degree of protection
- Screw connection: proven connection technology for a large selection of different conductors

## Commercial data

Item number	1521313
Packing unit	1 pc
Minimum order quantity	1 pc
Sales key	AF2FAA
Product key	AF2FAA
GTIN	4017918949549
Weight per piece (including packing)	54.12 g
Weight per piece (excluding packing)	47.5 g
Customs tariff number	85366990
Country of origin	DE

1521313

<https://www.phoenixcontact.com/gb/products/1521313>

## Technical data

### Notes

Assembly note	<b>NOTE:</b> Observe the permissible bending radii when routing cables, since the degree of protection may be at risk if the bending forces are too high. Reduce mechanical loads upstream of the connector, e.g., by using cable ties.
---------------	---

### Mounting

Assembly note	The wires can be connected both with ferrules and without ferrules
---------------	--

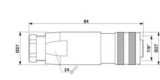
### Product properties

Sensor type	Universal
Number of positions	3
No. of cable outlets	1
Shielded	no
Coding	A
Cable outlet	straight
Pg screw connection	Pg13,5

### Insulation characteristics

Overvoltage category	III
Degree of pollution	3

### Dimensions

Dimensional drawing	
Width	27 mm
Height	27 mm
Length	84 mm

### External dimensions

Outside diameter	10 mm ... 12 mm
------------------	-----------------

### Housing

Diameter housing	27 mm
------------------	-------

### Material specifications

Flammability rating according to UL 94	HB
Material of grip body	PBT
Contact material	CuZn
Contact surface material	Au
Contact carrier material	PUR/PA 6.6

# SACC-MINFS-3CON-PG13 - Connector



1521313

<https://www.phoenixcontact.com/gb/products/1521313>

Material for screw connection	Zinc die-cast, nickel-plated
-------------------------------	------------------------------

## Connection data

### Conductor connection

Connection method	Screw connection
Connection cross section	0.34 mm <sup>2</sup> ... 1.5 mm <sup>2</sup> (without ferrule)
	0.34 mm <sup>2</sup> ... 1.5 mm <sup>2</sup> (with ferrule)
	0.34 mm <sup>2</sup> ... 1.5 mm <sup>2</sup> (solid)
Connection cross section AWG	22 ... 16 (without ferrule)
	22 ... 16 (with ferrule)
Stripping length of the individual wire	7 mm
Tightening torque	0.8 Nm (7/8" connectors)
	0.4 Nm (Screw terminal blocks)
	1 Nm ... 1.4 Nm (Pressure screw)

## Electrical properties

Rated surge voltage	4 kV
Contact resistance	≤ 5 mΩ
Insulation resistance	≥ 100 MΩ
Nominal voltage U <sub>N</sub>	300 V AC
	300 V DC
Nominal current I <sub>N</sub>	12 A

## Mechanical properties

### Mechanical data

Insertion/withdrawal cycles	≥ 100
-----------------------------	-------

## Connector

### Connection 1

Head design	Socket
Head cable outlet	straight
Head thread type	7/8"-16UNF
Coding	A

## Cable/line

Signal type/category	Universal
Stripping length of the individual wire	7 mm

## Environmental and real-life conditions

### Ambient conditions

Degree of protection	IP67
Ambient temperature (operation) (male connector/female connector)	-25 °C ... 85 °C (Plug / socket)

# SACC-MINFS-3CON-PG13 - Connector

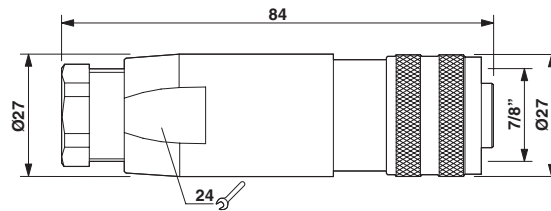


1521313

<https://www.phoenixcontact.com/gb/products/1521313>

## Drawings

Dimensional drawing



Socket  $\frac{7}{8}"$ -16UNF, straight, Pg13

Functional drawing



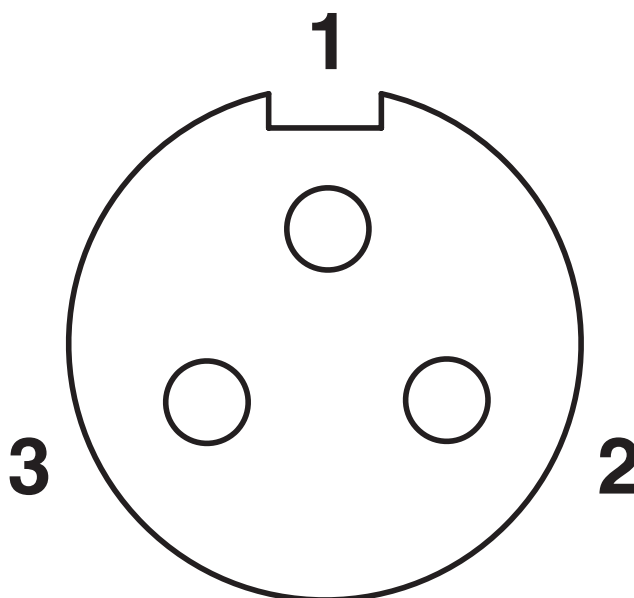
# SACC-MINFS-3CON-PG13 - Connector



1521313

<https://www.phoenixcontact.com/gb/products/1521313>

Schematic diagram



Pin assignment, socket, 7/8"-16UNF, 3-pos., view of female side

# SACC-MINFS-3CON-PG13 - Connector





1521313

<https://www.phoenixcontact.com/gb/products/1521313>

## Approvals

To download certificates, visit the product detail page: <https://www.phoenixcontact.com/gb/products/1521313>

 <b>cUL Recognized</b> Approval ID: FILE E 221474				
	Nominal voltage $U_N$	Nominal current $I_N$	Cross section AWG	Cross section $\text{mm}^2$
keine				
	600 V	12 A	-	-

 <b>UL Recognized</b> Approval ID: FILE E 221474				
	Nominal voltage $U_N$	Nominal current $I_N$	Cross section AWG	Cross section $\text{mm}^2$
keine				
	600 V	12 A	-	-

# SACC-MINFS-3CON-PG13 - Connector



1521313

<https://www.phoenixcontact.com/gb/products/1521313>

## Classifications

### ECLASS

ECLASS-13.0	27440116
ECLASS-15.0	27440116

### ETIM

ETIM 10.0	EC002635
-----------	----------

### UNSPSC

UNSPSC 21.0	39121400
-------------	----------

1521313

<https://www.phoenixcontact.com/gb/products/1521313>

## Environmental product compliance

### EU RoHS

Fulfills EU RoHS substance requirements	Yes
Exemption	6(c)

### China RoHS

Environment friendly use period (EFUP)	EFUP-50
	An article-related China RoHS declaration table can be found in the download area for the respective article under "Manufacturer declaration". For all articles with EFUP-E, no China RoHS declaration table issued and required.

### EU REACH SVHC

REACH candidate substance (CAS No.)	Lead(CAS: 7439-92-1)
SCIP	96ebae81-ceb0-4749-8ae9-ea809e2eb69d

### EF3.1 Climate Change

CO2e kg	1.396 kg CO2e
---------	---------------

Phoenix Contact 2026 © - all rights reserved  
<https://www.phoenixcontact.com>

PHOENIX CONTACT Ltd  
Halesfield 13, Telford  
Shropshire, TF7 4PG  
01952 681700  
[info@phoenixcontact.co.uk](mailto:info@phoenixcontact.co.uk)