

SACC-E-M12FS-4PL-M20 - Panel feed-through



1139803

<https://www.phoenixcontact.com/gb/products/1139803>

Please be informed that the data shown in this PDF document is generated from our online catalog. Please find the complete data in the user documentation. Our general terms of use for downloads are valid.



Panel feed-through, Universal, 4-position, unshielded, Socket straight M12, coding: A, Front mounting, M20 x 1,5, Push-lock spring connection, knurl material: Brass, nickel-plated, Flat nut included

Your advantages

- Easy and tool-free connection with Push-Lock connection
- Easy assignment of individual conductors with color coding and numerical marking of contact holder levers
- Conveniently connect stranded conductors, thanks to lever
- Reliable and quick connection of electric cables

Commercial data

| | |
|--------------------------------------|---------------|
| Item number | 1139803 |
| Packing unit | 1 pc |
| Minimum order quantity | 1 pc |
| Sales key | AF2CEA |
| Product key | AF2CEA |
| GTIN | 4063151223526 |
| Weight per piece (including packing) | 30.7 g |
| Weight per piece (excluding packing) | 30.7 g |
| Customs tariff number | 85366990 |
| Country of origin | DE |

SACC-E-M12FS-4PL-M20 - Panel feed-through



1139803

<https://www.phoenixcontact.com/gb/products/1139803>

Technical data

Notes

| | |
|--------------------|--|
| Assembly note | NOTE: Observe the permissible bending radii when routing cables, since the degree of protection may be at risk if the bending forces are too high. Reduce mechanical loads upstream of the connector, e.g., by using cable ties. |
| Notes on operation | The electrical and mechanical data specified assume that the connector pair is correctly locked and mounted. If the connector is unlocked and if there is a danger of contamination, the connector must be sealed using a protective cap > IP54. Influences arising from litz wires, cables or PCB assembly must also be taken into consideration. |

Mounting

| | |
|-------------------|---|
| Tightening torque | 0.4 Nm (M12 plug) 2 Nm (Installation-side) |
|-------------------|---|

Product properties

| | |
|----------------------|-----------|
| Sensor type | Universal |
| Number of positions | 4 |
| No. of cable outlets | 1 |
| Shielded | no |
| Coding | A |

Insulation characteristics

| | |
|----------------------|----|
| Overvoltage category | II |
| Degree of pollution | 3 |

Dimensions

| | |
|---------------------|-----------------|
| Dimensional drawing | |
| Length | 19.2 mm |
| Hole diameter | 20.4 mm +0.1 mm |

Housing

| | |
|------------------|-------|
| Diameter housing | 29 mm |
|------------------|-------|

Material specifications

| | |
|----------|------------------------|
| Material | PA 6 (Actuation lever) |
|----------|------------------------|

SACC-E-M12FS-4PL-M20 - Panel feed-through



1139803

<https://www.phoenixcontact.com/gb/products/1139803>

| | |
|--|----------------------|
| Flammability rating according to UL 94 | V0 |
| Seal material | NBR |
| Contact material | CuSn |
| Contact surface material | Ni/Au |
| Contact carrier material | PA 6.6 |
| Material for screw connection | Brass, nickel-plated |

Electrical properties

| | |
|--------------------------------|--|
| Rated surge voltage | 1.5 kV |
| Contact resistance | ≤ 5 mΩ |
| Insulation resistance | ≥ 100 MΩ |
| Nominal voltage U _N | 48 V AC 60 V DC |
| Nominal current I _N | 4 A (2 A when using 0.14 mm ² conductors) |

Connection data

Conductor connection

| | |
|---|---|
| Connection method | Push-lock spring connection |
| Contact connection type | Socket |
| Connection cross section | 0.14 mm ² ... 0.75 mm ² (without ferrule) 0.08 mm ² ... 0.5 mm ² (with ferrule) 0.14 mm ² ... 0.75 mm ² (solid) |
| Connection cross section AWG | 26 ... 18 (without ferrule) 28 ... 20 (with ferrule) |
| Stripping length of the individual wire | 7 mm |
| Tightening torque | 0.4 Nm (M12 plug) 2 Nm (Installation-side) |

Mechanical properties

Mechanical data

| | |
|-----------------------------|-------|
| Insertion/withdrawal cycles | ≥ 100 |
|-----------------------------|-------|

Connector

Connection 1

| | |
|-------------------|----------|
| Head design | Socket |
| Head cable outlet | straight |
| Head thread type | M12 |
| Coding | A |

Cable/line

| | |
|---|-----------|
| Signal type/category | Universal |
| Stripping length of the individual wire | 7 mm |

SACC-E-M12FS-4PL-M20 - Panel feed-through



1139803

<https://www.phoenixcontact.com/gb/products/1139803>

Environmental and real-life conditions

Ambient conditions

| | |
|---|----------------------------------|
| Degree of protection | IP67 |
| Ambient temperature (operation) (male connector/female connector) | -40 °C ... 85 °C (Plug / socket) |

Standards and regulations

M12

| | |
|--------------------------|-----------------|
| Standard designation | M12 connector |
| Standards/specifications | IEC 61076-2-101 |

SACC-E-M12FS-4PL-M20 - Panel feed-through

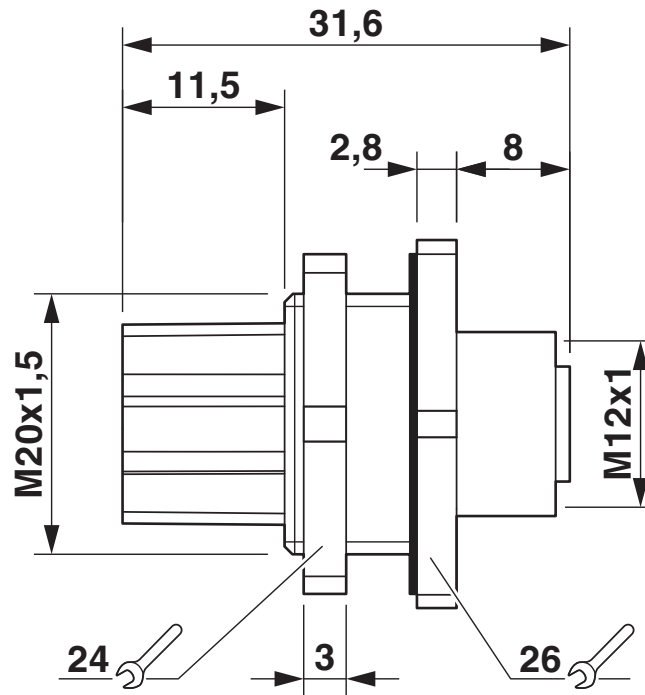


1139803

<https://www.phoenixcontact.com/gb/products/1139803>

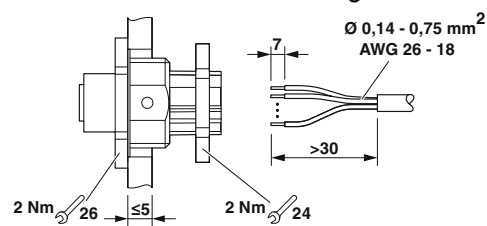
Drawings

Dimensional drawing



M12 flush-type socket

Functional drawing



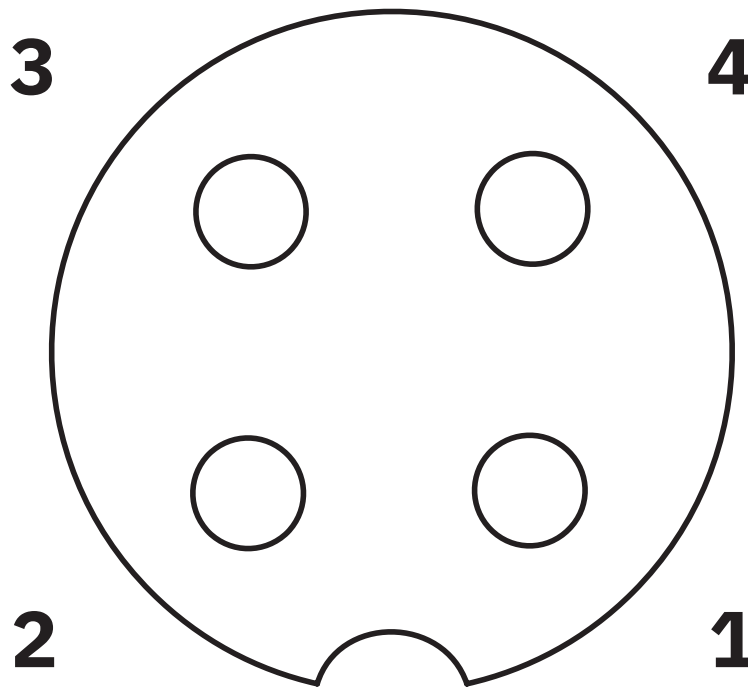
SACC-E-M12FS-4PL-M20 - Panel feed-through

1139803

<https://www.phoenixcontact.com/gb/products/1139803>

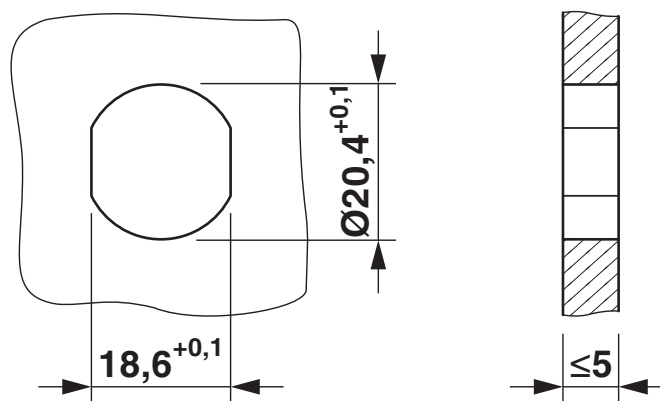


Schematic diagram



Pin assignment M12 socket, 4-pos., A-coded, view female side

Drilling plan/solder pad geometry



Housing cutout for M20 fastening thread, mounting panel with thread

SACC-E-M12FS-4PL-M20 - Panel feed-through



1139803

<https://www.phoenixcontact.com/gb/products/1139803>

Approvals

To download certificates, visit the product detail page: <https://www.phoenixcontact.com/gb/products/1139803>



UL Listed

Approval ID: E221474



cUL Listed

Approval ID: E221474

SACC-E-M12FS-4PL-M20 - Panel feed-through



1139803

<https://www.phoenixcontact.com/gb/products/1139803>

Classifications

ECLASS

| | |
|-------------|----------|
| ECLASS-13.0 | 27440109 |
| ECLASS-15.0 | 27440109 |

ETIM

| | |
|-----------|----------|
| ETIM 10.0 | EC003569 |
|-----------|----------|

UNSPSC

| | |
|-------------|----------|
| UNSPSC 21.0 | 39121400 |
|-------------|----------|

SACC-E-M12FS-4PL-M20 - Panel feed-through



1139803

<https://www.phoenixcontact.com/gb/products/1139803>

Environmental product compliance

EU RoHS

| | |
|---|--------------------|
| Fulfills EU RoHS substance requirements | Yes, No exemptions |
|---|--------------------|

China RoHS

| | |
|--|--|
| Environment friendly use period (EFUP) | EFUP-E |
| | No hazardous substances above the limits |

EU REACH SVHC

| | |
|-------------------------------------|----------------------------|
| REACH candidate substance (CAS No.) | No substance above 0.1 wt% |
|-------------------------------------|----------------------------|

Phoenix Contact 2026 © - all rights reserved
<https://www.phoenixcontact.com>

PHOENIX CONTACT Ltd
Halesfield 13, Telford
Shropshire, TF7 4PG
01952 681700
info@phoenixcontact.co.uk