

# SACC-E-M12MS-5PL-M20 - Panel feed-through



1139804

<https://www.phoenixcontact.com/gb/products/1139804>

Please be informed that the data shown in this PDF document is generated from our online catalog. Please find the complete data in the user documentation. Our general terms of use for downloads are valid.



Panel feed-through, Universal, 5-position, unshielded, Plug straight M12, coding: A, Front mounting, M20 x 1,5, Push-lock spring connection, knurl material: Brass, nickel-plated, Flat nut included

## Your advantages

- Easy and tool-free connection with Push-Lock connection
- Easy assignment of individual conductors with color coding and numerical marking of contact holder levers
- Conveniently connect stranded conductors, thanks to lever
- Reliable and quick connection of electric cables

## Commercial data

Item number	1139804
Packing unit	1 pc
Minimum order quantity	1 pc
Sales key	AF2CEA
Product key	AF2CEA
GTIN	4063151223700
Weight per piece (including packing)	30.3 g
Weight per piece (excluding packing)	30 g
Customs tariff number	85366990
Country of origin	DE

# SACC-E-M12MS-5PL-M20 - Panel feed-through



1139804

<https://www.phoenixcontact.com/gb/products/1139804>

## Technical data

### Notes

Assembly note	<b>NOTE:</b> Observe the permissible bending radii when routing cables, since the degree of protection may be at risk if the bending forces are too high. Reduce mechanical loads upstream of the connector, e.g., by using cable ties.
Notes on operation	The electrical and mechanical data specified assume that the connector pair is correctly locked and mounted. If the connector is unlocked and if there is a danger of contamination, the connector must be sealed using a protective cap > IP54. Influences arising from litz wires, cables or PCB assembly must also be taken into consideration.

### Mounting

Tightening torque	2 Nm (Installation-side)
-------------------	--------------------------

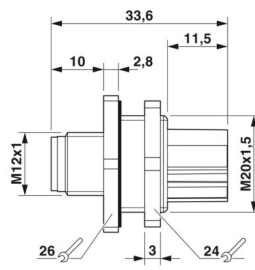
### Product properties

Sensor type	Universal
Number of positions	5
No. of cable outlets	1
Shielded	no
Coding	A
Cable outlet	straight

### Insulation characteristics

Overvoltage category	II
Degree of pollution	3

### Dimensions

Dimensional drawing	
Length	21 mm
Hole diameter	20.4 mm +0.1 mm

### Housing

Diameter housing	29 mm
------------------	-------

### Material specifications

Material	PA 6 (Actuation lever)
----------	------------------------

# SACC-E-M12MS-5PL-M20 - Panel feed-through



1139804

<https://www.phoenixcontact.com/gb/products/1139804>

Flammability rating according to UL 94	V0
Contact material	CuSn
Contact surface material	Ni/Au
Contact carrier material	PA 6.6
Material for screw connection	Brass, nickel-plated

## Electrical properties

Rated surge voltage	1.5 kV
Contact resistance	$\leq 5 \text{ m}\Omega$
Insulation resistance	$\geq 100 \text{ M}\Omega$
Nominal voltage $U_N$	48 V AC
	60 V DC
Nominal current $I_N$	4 A (2 A when using 0.14 mm <sup>2</sup> conductors)

## Connection data

### Conductor connection

Connection method	Push-lock spring connection
Contact connection type	Pin
Connection cross section	0.14 mm <sup>2</sup> ... 0.75 mm <sup>2</sup> (without ferrule)
	0.08 mm <sup>2</sup> ... 0.5 mm <sup>2</sup> (with ferrule)
	0.14 mm <sup>2</sup> ... 0.75 mm <sup>2</sup> (solid)
Connection cross section AWG	26 ... 18 (without ferrule)
	28 ... 20 (with ferrule)
Stripping length of the individual wire	7 mm
Tightening torque	2 Nm (Installation-side)

## Mechanical properties

### Mechanical data

Insertion/withdrawal cycles	$\geq 100$
-----------------------------	------------

## Connector

### Connection 1

Head design	Plug
Head cable outlet	straight
Head thread type	M12
Coding	A

## Cable/line

Signal type/category	Universal
Stripping length of the individual wire	7 mm

## Environmental and real-life conditions

### Ambient conditions

# SACC-E-M12MS-5PL-M20 - Panel feed-through



1139804

<https://www.phoenixcontact.com/gb/products/1139804>

Degree of protection	IP67
Ambient temperature (operation) (male connector/female connector)	-40 °C ... 85 °C (Plug / socket)

## Standards and regulations

### M12

Standard designation	M12 connector
Standards/specifications	IEC 61076-2-101

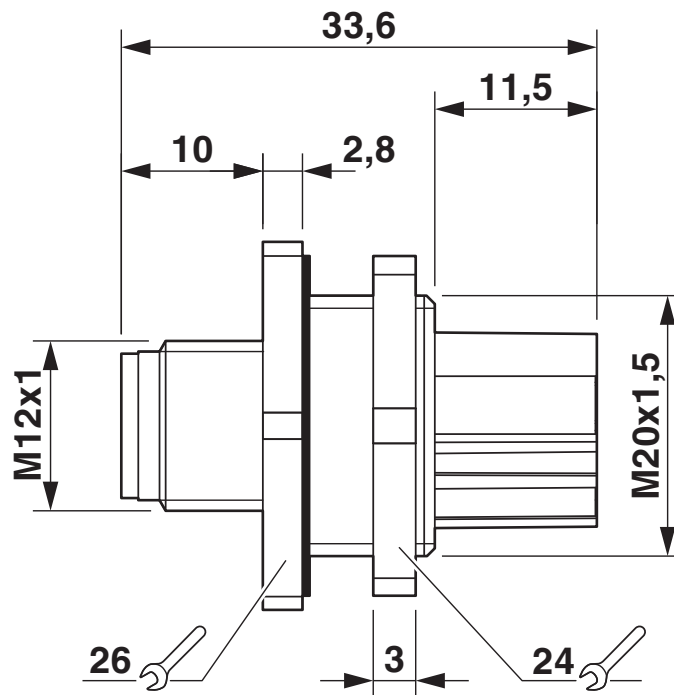
# SACC-E-M12MS-5PL-M20 - Panel feed-through

1139804

<https://www.phoenixcontact.com/gb/products/1139804>

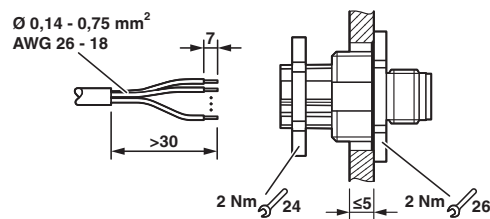
## Drawings

Dimensional drawing



## M12 flush-type plug

Functional drawing



# SACC-E-M12MS-5PL-M20 - Panel feed-through

1139804

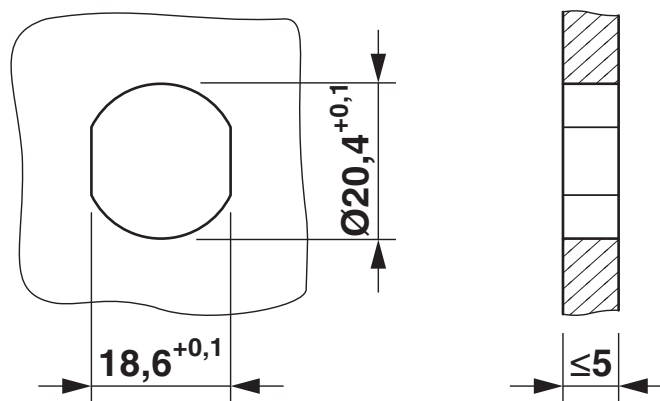
<https://www.phoenixcontact.com/gb/products/1139804>

Schematic diagram



Pin assignment M12 male connector, 5-pos., A-coded, male side

Drilling plan/solder pad geometry



Housing cutout for M20 fastening thread, mounting panel with thread

# SACC-E-M12MS-5PL-M20 - Panel feed-through



1139804

<https://www.phoenixcontact.com/gb/products/1139804>

## Approvals

To download certificates, visit the product detail page: <https://www.phoenixcontact.com/gb/products/1139804>



**UL Listed**

Approval ID: E221474



**cUL Listed**

Approval ID: E221474

# SACC-E-M12MS-5PL-M20 - Panel feed-through



1139804

<https://www.phoenixcontact.com/gb/products/1139804>

## Classifications

### ECLASS

ECLASS-13.0	27440109
ECLASS-15.0	27440109

### ETIM

ETIM 10.0	EC003569
-----------	----------

### UNSPSC

UNSPSC 21.0	39121400
-------------	----------

# SACC-E-M12MS-5PL-M20 - Panel feed-through



1139804

<https://www.phoenixcontact.com/gb/products/1139804>

## Environmental product compliance

### EU RoHS

Fulfills EU RoHS substance requirements	Yes, No exemptions
---	--------------------

### China RoHS

Environment friendly use period (EFUP)	EFUP-E
	No hazardous substances above the limits

### EU REACH SVHC

REACH candidate substance (CAS No.)	No substance above 0.1 wt%
-------------------------------------	----------------------------

Phoenix Contact 2026 © - all rights reserved  
<https://www.phoenixcontact.com>

PHOENIX CONTACT Ltd  
Halesfield 13, Telford  
Shropshire, TF7 4PG  
01952 681700  
[info@phoenixcontact.co.uk](mailto:info@phoenixcontact.co.uk)