

FLKM 50-PA/AN/S7-1500 - Front adapter



2907386

<https://www.phoenixcontact.com/gb/products/2907386>

Please be informed that the data shown in this PDF document is generated from our online catalog. Please find the complete data in the user documentation. Our general terms of use for downloads are valid.



VARIOFACE front adapter, for SIMATIC® S7-1500 analog 35 mm modules, up to 16 channels can be connected (40-pos. or 20-pos. modules).

Commercial data

| | |
|--------------------------------------|---------------|
| Item number | 2907386 |
| Packing unit | 1 pc |
| Minimum order quantity | 1 pc |
| Sales key | DK231S |
| Product key | DK231S |
| GTIN | 4055626255705 |
| Weight per piece (including packing) | 76.46 g |
| Weight per piece (excluding packing) | 77 g |
| Customs tariff number | 85369010 |
| Country of origin | RO |

FLKM 50-PA/AN/S7-1500 - Front adapter



2907386

<https://www.phoenixcontact.com/gb/products/2907386>

Technical data

Product properties

Insulation characteristics

| | |
|----------------------|----|
| Overvoltage category | II |
| Pollution degree | 2 |

Electrical properties

| | |
|------------------------------------|-----------------------|
| Max. permissible operating voltage | < 50 V DC |
| Max. permissible current | 1 A (per path) |
| Nominal operating mode | 100% operating factor |
| Rated surge voltage | 0.5 kV |

Supported controller: SIEMENS S7-1500

| | |
|-------------------|--------------------|
| Suitable I/O card | 6ES7531-7KF00-0AB0 |
| | 6ES7531-7LH00-0AB0 |
| | 6ES7531-7MH00-0AB0 |
| | 6ES7531-7NF00-0AB0 |
| | 6ES7531-7NF10-0AB0 |
| | 6ES7531-7PF00-0AB0 |
| | 6ES7531-7QF00-0AB0 |
| | 6ES7532-5HF00-0AB0 |
| | 6ES7550-1AA01-0AB0 |
| | 6ES7551-1AB01-0AB0 |
| | 6ES7552-1AA00-0AB0 |
| | 6ES7553-1AA00-0AB0 |
| | 6ES7532-8TF00-0AB0 |

Connection data

Field level

| | |
|-----------------------|-------------------|
| Connection method | IDC/FLK pin strip |
| Number of connections | 1 |
| Number of positions | 50 |
| Pitch | 2.54 mm |

Dimensions

Item dimensions

| | |
|--------|----------|
| Width | 29.8 mm |
| Height | 130.4 mm |
| Depth | 46 mm |

Environmental and real-life conditions

FLKM 50-PA/AN/S7-1500 - Front adapter



2907386

<https://www.phoenixcontact.com/gb/products/2907386>

Ambient conditions

| | |
|---|------------------|
| Degree of protection | IP00 |
| Ambient temperature (operation) | -25 °C ... 60 °C |
| Ambient temperature (storage/transport) | -40 °C ... 70 °C |

Standards and regulations

| | |
|-----------------------|-------------|
| Standards/regulations | IEC 61131-2 |
|-----------------------|-------------|

Notes

| | |
|--------------------|--|
| Notes on operation | For proper use, the specifications of the installation directive (see Downloads) must be observed. For applications or use with third-party products, the specifications, and the safety and warning instructions of the respective third-party manufacturer must also be met. |
|--------------------|--|

FLKM 50-PA/AN/S7-1500 - Front adapter

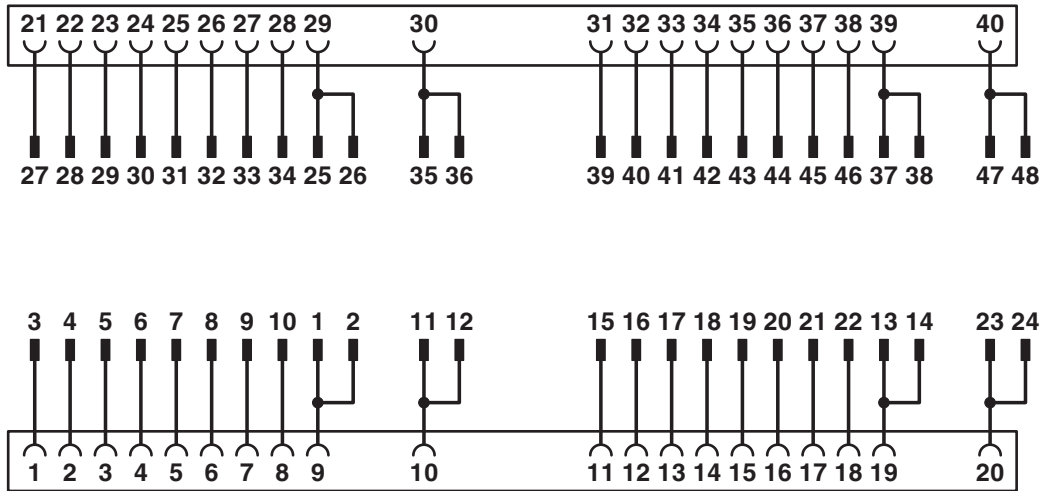


2907386

<https://www.phoenixcontact.com/gb/products/2907386>

Drawings

Circuit diagram



Connection scheme FLKM 50-PA/AN/S7-1500

FLKM 50-PA/AN/S7-1500 - Front adapter



2907386

<https://www.phoenixcontact.com/gb/products/2907386>

Approvals

To download certificates, visit the product detail page: <https://www.phoenixcontact.com/gb/products/2907386>



EAC

Approval ID: RU C-DE.A*30.B00767



UL Listed

Approval ID: E238705



cUL Listed

Approval ID: E238705

FLKM 50-PA/AN/S7-1500 - Front adapter



2907386

<https://www.phoenixcontact.com/gb/products/2907386>

Classifications

ECLASS

| | |
|-------------|----------|
| ECLASS-13.0 | 27242292 |
| ECLASS-15.0 | 27242292 |

ETIM

| | |
|-----------|----------|
| ETIM 10.0 | EC002584 |
|-----------|----------|

UNSPSC

| | |
|-------------|----------|
| UNSPSC 21.0 | 32151600 |
|-------------|----------|

FLKM 50-PA/AN/S7-1500 - Front adapter



2907386

<https://www.phoenixcontact.com/gb/products/2907386>

Environmental product compliance

EU RoHS

| | |
|---|--------------------|
| Fulfills EU RoHS substance requirements | Yes, No exemptions |
|---|--------------------|

China RoHS

| | |
|--|--|
| Environment friendly use period (EFUP) | EFUP-E |
| | No hazardous substances above the limits |

EU REACH SVHC

| | |
|-------------------------------------|----------------------------|
| REACH candidate substance (CAS No.) | No substance above 0.1 wt% |
|-------------------------------------|----------------------------|

Phoenix Contact 2026 © - all rights reserved
<https://www.phoenixcontact.com>

PHOENIX CONTACT Ltd
Halesfield 13, Telford
Shropshire, TF7 4PG
01952 681700
info@phoenixcontact.co.uk