

FLM BT DI 16 M12 - Wireless module



2693208

<https://www.phoenixcontact.com/gb/products/2693208>

Please be informed that the data shown in this PDF document is generated from our online catalog. Please find the complete data in the user documentation. Our general terms of use for downloads are valid.



Wireless IO device, 16 digital inputs, M12, Bluetooth V1.2; frequency band 2.4 GHz; 1 wireless interface; WLAN-BlackChannelList; LEM; transmission power max. 8 dBm

Product description

The products are offered exclusively for export outside the EU and the European Economic Area.

Your advantages

- WLAN coexistence functions AFH, LEM, black channel listing
- Parallel operation of numerous Bluetooth systems
- Extremely rugged and reliable
- Quick and easy startup

Commercial data

Item number	2693208
Packing unit	1 pc
Minimum order quantity	1 pc
Product key	DNC663
GTIN	4046356459068
Weight per piece (including packing)	421.5 g
Weight per piece (excluding packing)	300 g
Country of origin	DE

Technical data

Notes

Utilization restriction

EMC note	EMC: class A product, see manufacturer's declaration in the download area
----------	---

Product properties

Product family	Fieldline
Type	modular
Set comprises	2736783 FLM BT ID-PLUG M12
MTBF	Telcordia standard, 25°C temperature, 21% operating cycle (5 days a week, 8 hours a day)
	Telcordia standard, 40°C temperature, 34.25% operating cycle (5 days a week, 12 hours a day)

Wireless card

Number	1
Type	Bluetooth, 2.4 GHz ... 1 Mbps
Assembly note	Permanently installed

System properties

Module

Process data channel	8 bit
Input address area	8 bit
Output address area	0 Byte
Register length	8 bit

Electrical properties

Potentials

Voltage supply U_S	24 V DC (19.2 V DC ... 32 V DC)
Current consumption from U_S	10 mA (plus sensor current)
Nominal current per channel	typ. 60 mA
Nominal current per device	max. 500 mA
Protective circuit	Overload protection, short-circuit protection of sensor supply

Supply: Module electronics

Connection method	M12 connector
Designation	U_L
Supply voltage	24 V DC
Supply voltage range	19.2 V DC ... 32 V DC
Current consumption	30 mA (with U_L)
Power dissipation	typ. (with 24 V supply voltage)
Power dissipation formula	$P_{TOT} = 0.75 W + I_S^2 \times 0.68 \Omega + n \times 0.07 W$, (n = 0 to 16)

FLM BT DI 16 M12 - Wireless module



2693208

<https://www.phoenixcontact.com/gb/products/2693208>

Note about power dissipation	P_{EL} ...Total power dissipation in module, I_s ...current from sensor supply, n.. Index relating to the number of inputs used (n=0 to 16)
Electrical isolation/isolation of the voltage ranges	
Test voltage: To I/O	500 V AC

Input data

Digital:

Input name	Digital inputs
Number of inputs	16 (double-occupancy)
Connection method	M12 connector
Connection technology	2-, 3-conductor (4-conductor as an option)
Input voltage	24 V DC
Input voltage range "0" signal	-30 V DC ... 5 V DC
Input voltage range "1" signal	11 V DC ... 30 V DC
Nominal input current	2.8 mA (at 24 V)
Total sensor current	max. 600 mA
Delay at signal change from 0 to 1	20 μ s
Delay at signal change from 1 to 0	700 μ s
Protective circuit	Reverse polarity protection

Interfaces

Antenna

Number	1
Connection method	SMA (male)
Gain	0 dBi (Antenna gain)

Functions

Security	128-bit data encryption
	Authentication
	PIN
	Non-discoverable
Wireless licenses	Europe, additional countries in the e-shop
Country support	Canada
	Russia (Special rule: Please contact the Product Manager)
	Switzerland
	Singapore
	Turkey
	USA

Wireless

Designation	Bluetooth
Antenna connection method	SMA (female)
Frequency range	2.402 GHz ... 2.48 GHz (ISM bandwidth)
Frequency band	2.4 GHz

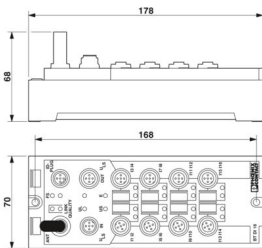
FLM BT DI 16 M12 - Wireless module

2693208

<https://www.phoenixcontact.com/gb/products/2693208>

Wireless standard	Bluetooth 1.2
Transmission power	8 dBm (with automatic control)
Receiver sensitivity	-88.00 dBm
Number of wireless interfaces	1
Wireless modules that can be connected	1 (FLM BT BS 3, FL BT MOD IO AP)
Profiles supported	HID

Dimensions

Dimensional drawing	
Width	70.5 mm
Height	178.5 mm
Depth	68 mm
Drill hole spacing	168 mm

Material specifications

Color	anthracite gray (RAL 7016)
-------	----------------------------

Mechanical properties

Technical data

Drill hole spacing	168 mm
--------------------	--------

Environmental and real-life conditions

Ambient conditions

Degree of protection	IP65
Ambient temperature (operation)	-25 °C ... 60 °C
Air pressure (operation)	795 hPa ... 1080 hPa (up to 2000 m above sea level)
Air pressure (storage/transport)	70 kPa ... 106 kPa (up to 3000 m above sea level)
Ambient temperature (storage/transport)	-25 °C ... 85 °C
Permissible humidity (operation)	95 %
Permissible humidity (storage/transport)	95 %

Standards and regulations

Protection class	III (IEC 61140, EN 61140, VDE 0140-1)
------------------	---------------------------------------

Mounting

Mounting type	Panel mounting, optionally on mounting panel
	Panel mounting

FLM BT DI 16 M12 - Wireless module

2693208

<https://www.phoenixcontact.com/gb/products/2693208>



Assembly note

OMNI antenna is included

FLM BT DI 16 M12 - Wireless module

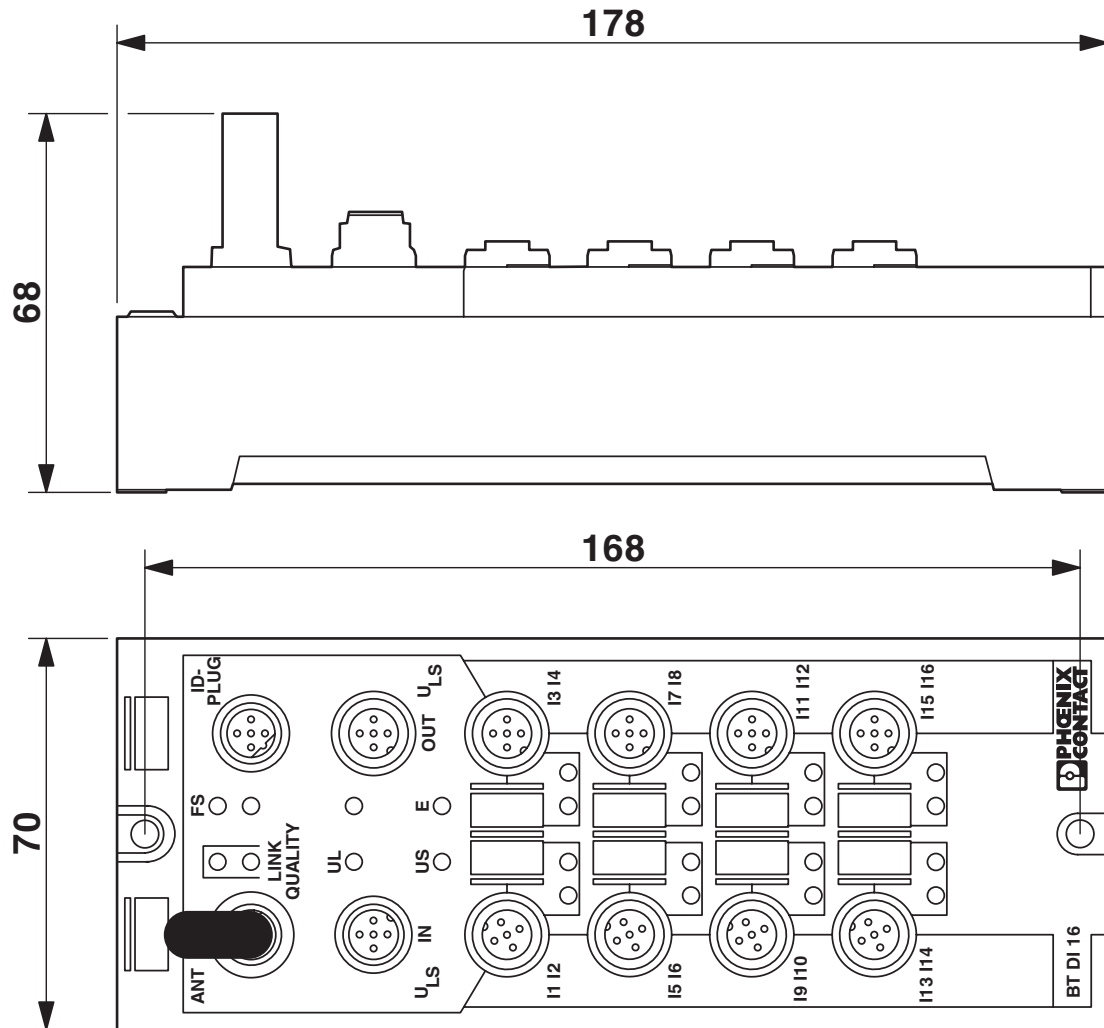


2693208

<https://www.phoenixcontact.com/gb/products/2693208>

Drawings

Dimensional drawing

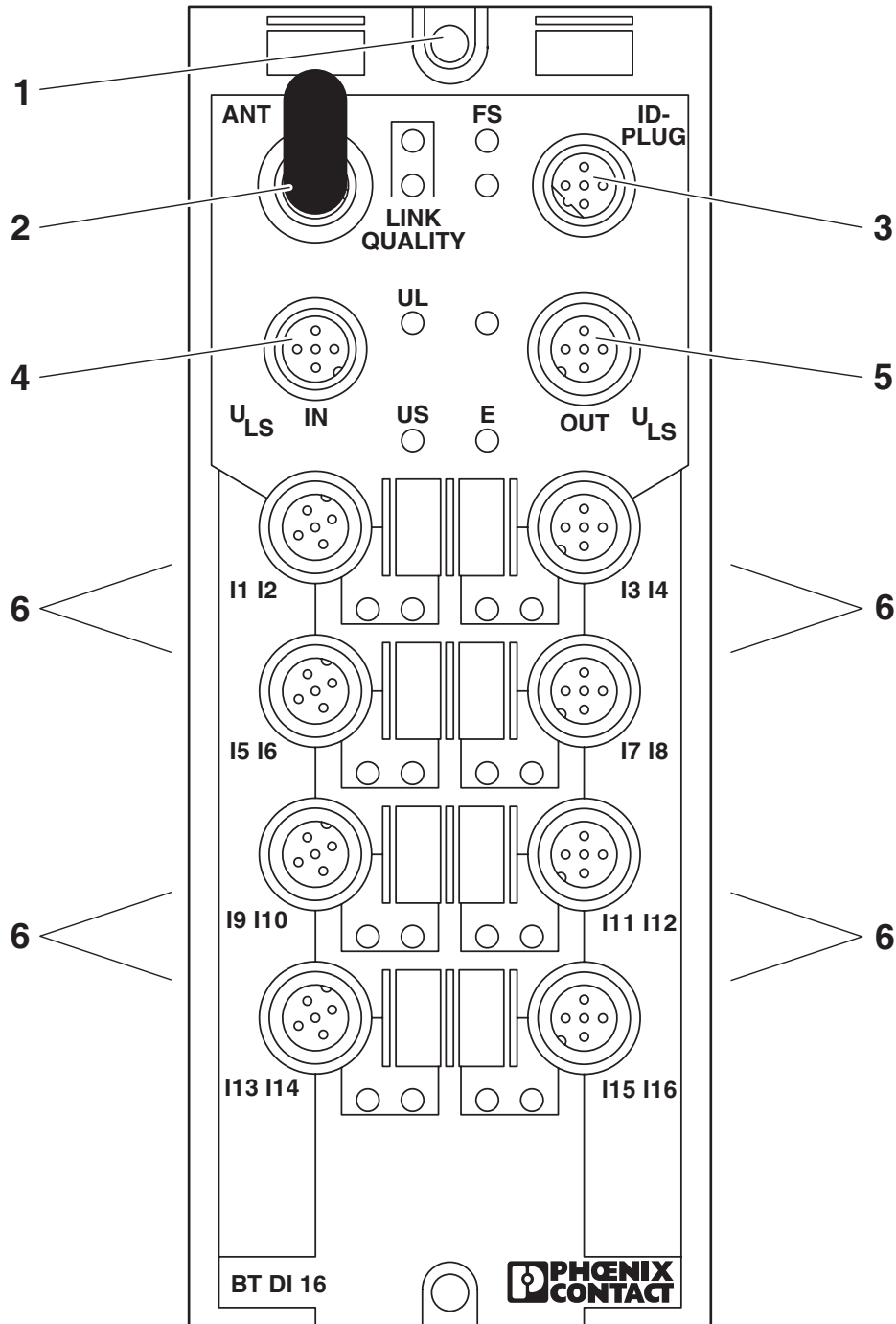


FLM BT DI 16 M12 - Wireless module

2693208

<https://www.phoenixcontact.com/gb/products/2693208>

Product drawing



- 1 FG: Functional ground
- 2 ANT: Antenna
- 3 ID PLUG: ID PLUG connection
- 4 U_{LS} IN: Voltage supply U_{LS} IN
- 5 U_{LS} OUT: Voltage supply U_{LS} OUT
- 6 IN: Inputs (1-16)

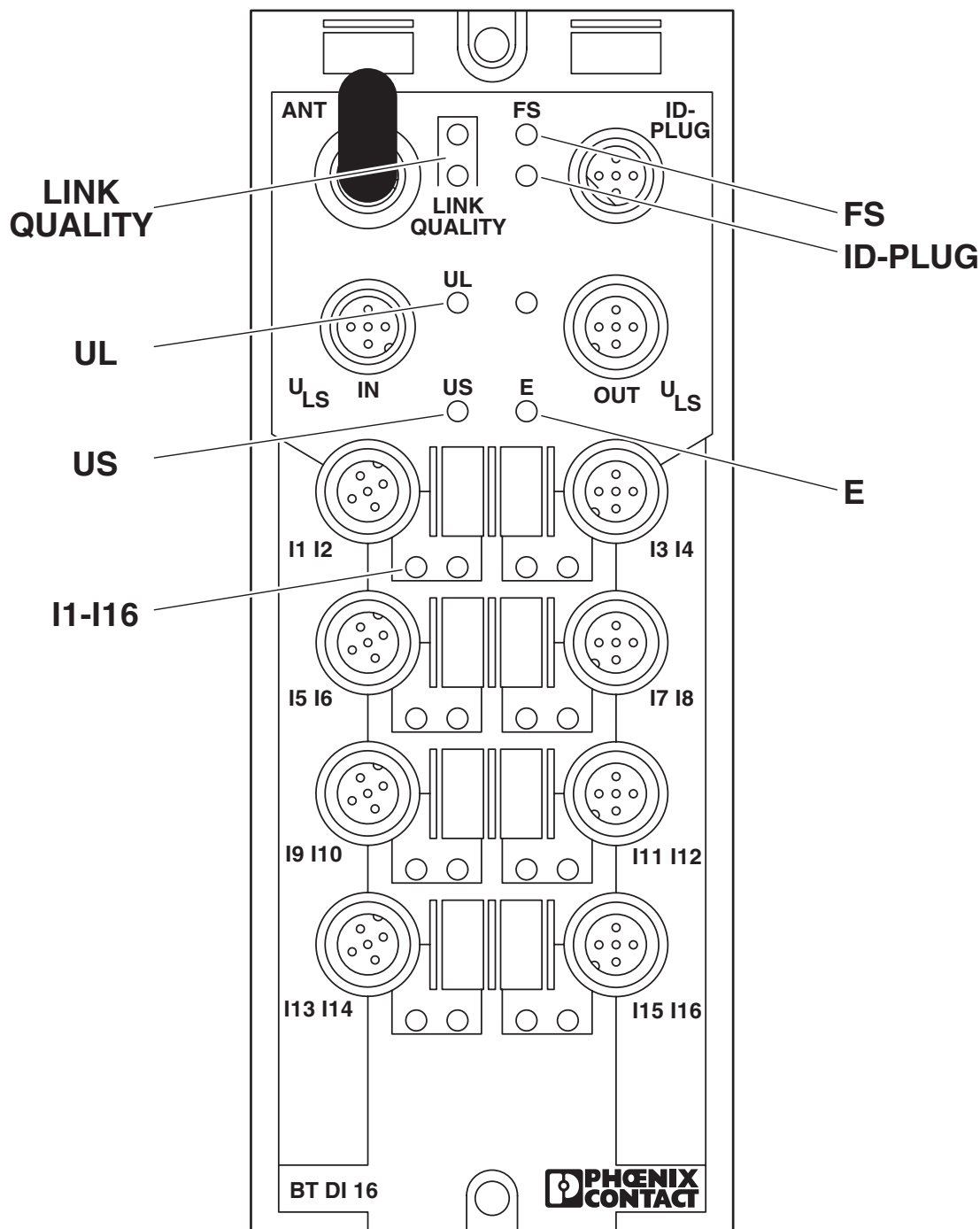
FLM BT DI 16 M12 - Wireless module



2693208

<https://www.phoenixcontact.com/gb/products/2693208>

Product drawing



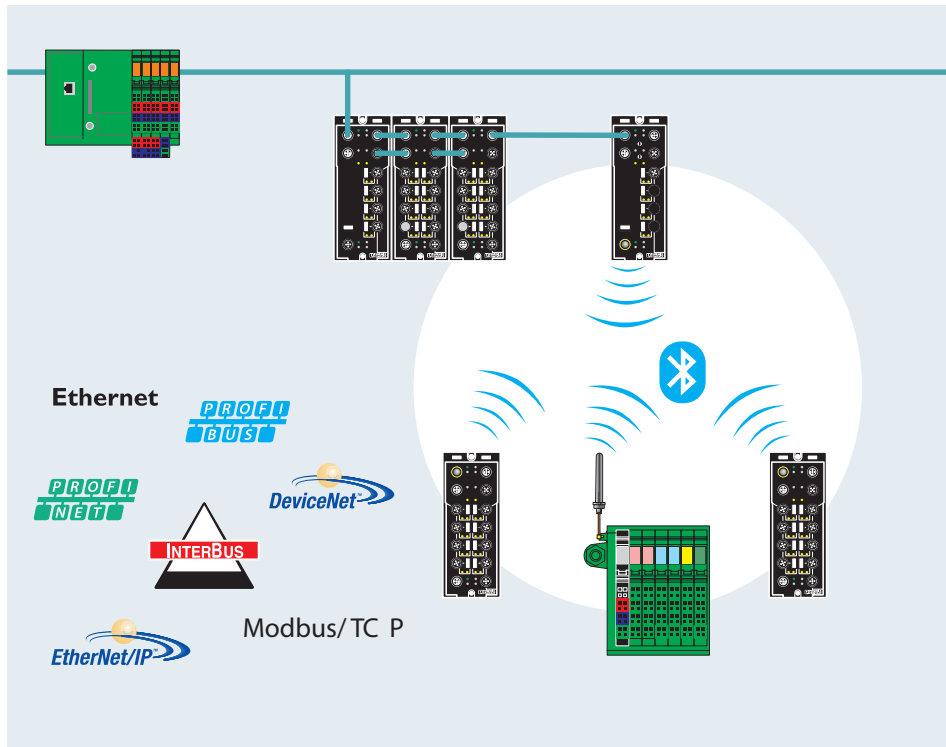
- LINK QUALITY: Green/yellow
Quality of Bluetooth
- FS connection: Red
- Failure state ID-PLUG: Green/yellow/red
- ID-PLUG UL status: Green
- US communications power: Green
- E sensor supply: Red
- Short-circuit/overload of sensor supply I1-I16: Yellow
- Status of the inputs

FLM BT DI 16 M12 - Wireless module

2693208

<https://www.phoenixcontact.com/gb/products/2693208>

Application drawing



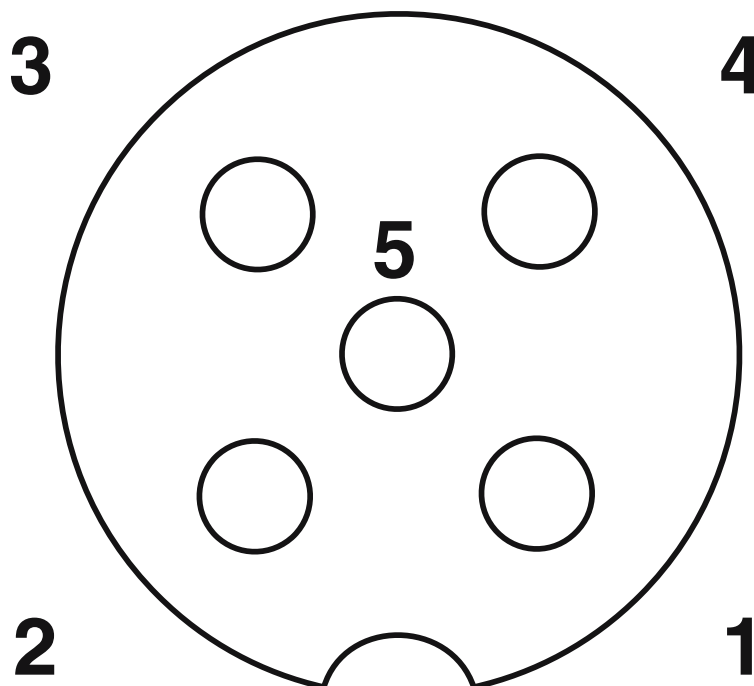
Possible areas of application

The Fieldline Modular wireless IO system is particularly suitable for use in moving, temporarily installed or inaccessible machine units in all industrial areas, when time-critical process signals are to be transmitted.

- Fast data transmission in typ. 10 ms per module
- Short range* of 20 to 50 m in industrial halls and more than 100 m outdoors.

* The range may be considerably above or below that stated, and depends on the environment, antenna technology and the product used.

Schematic diagram



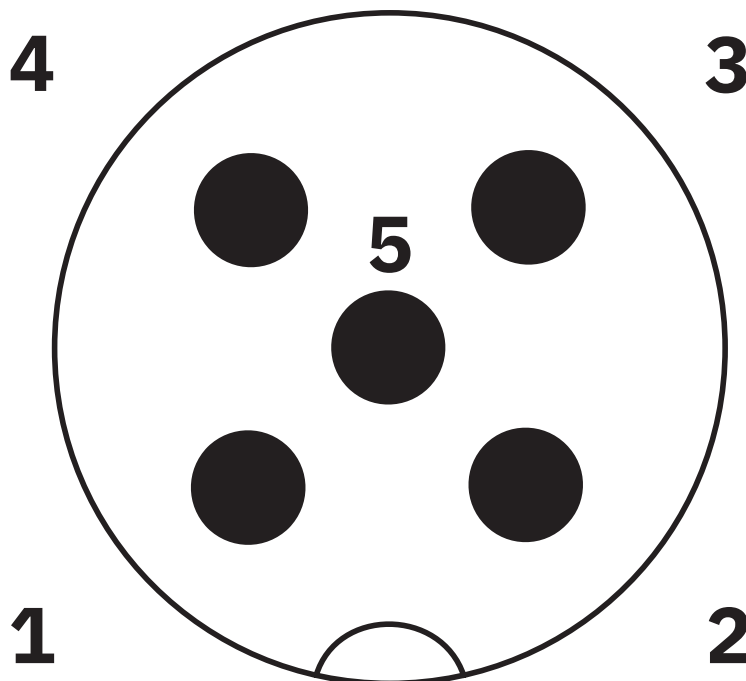
Assignment of inputs

- Pin 1 Us +24 V
- Pin 2 input x+1
- Pin 3 GND
- Pin 4 input x
- Pin 5 FE

2693208

<https://www.phoenixcontact.com/gb/products/2693208>

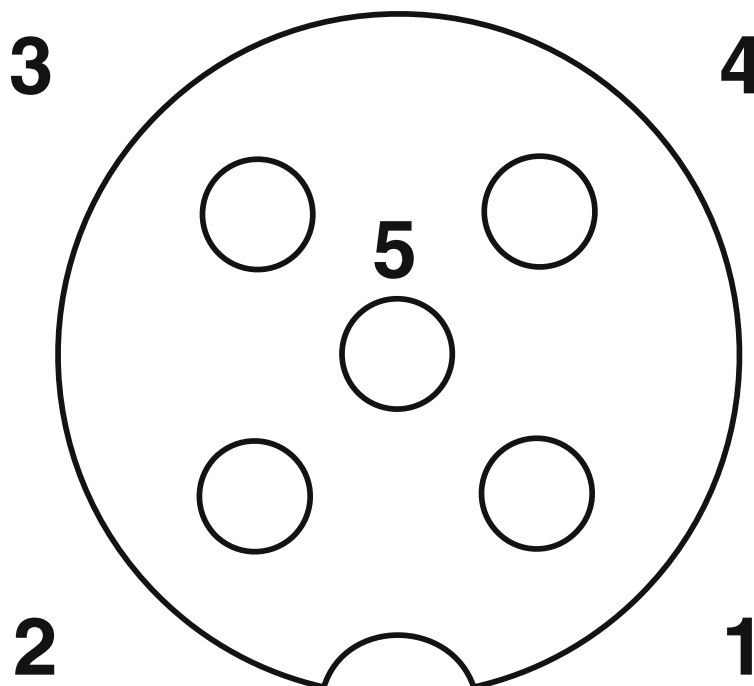
Schematic diagram



Assignment of the power supply U_{LS} IN (male connector)

- Pin 1 U_L +24 V
- Pin 2 U_S GND
- Pin 3 U_L GND

Schematic diagram



Assignment of the power supply U_{LS} OUT (female connector)

Pin 1 U_L +24 V

Pin 2 U_S GND

Pin 3 U_L GND

Pin 4 U_S +24 V

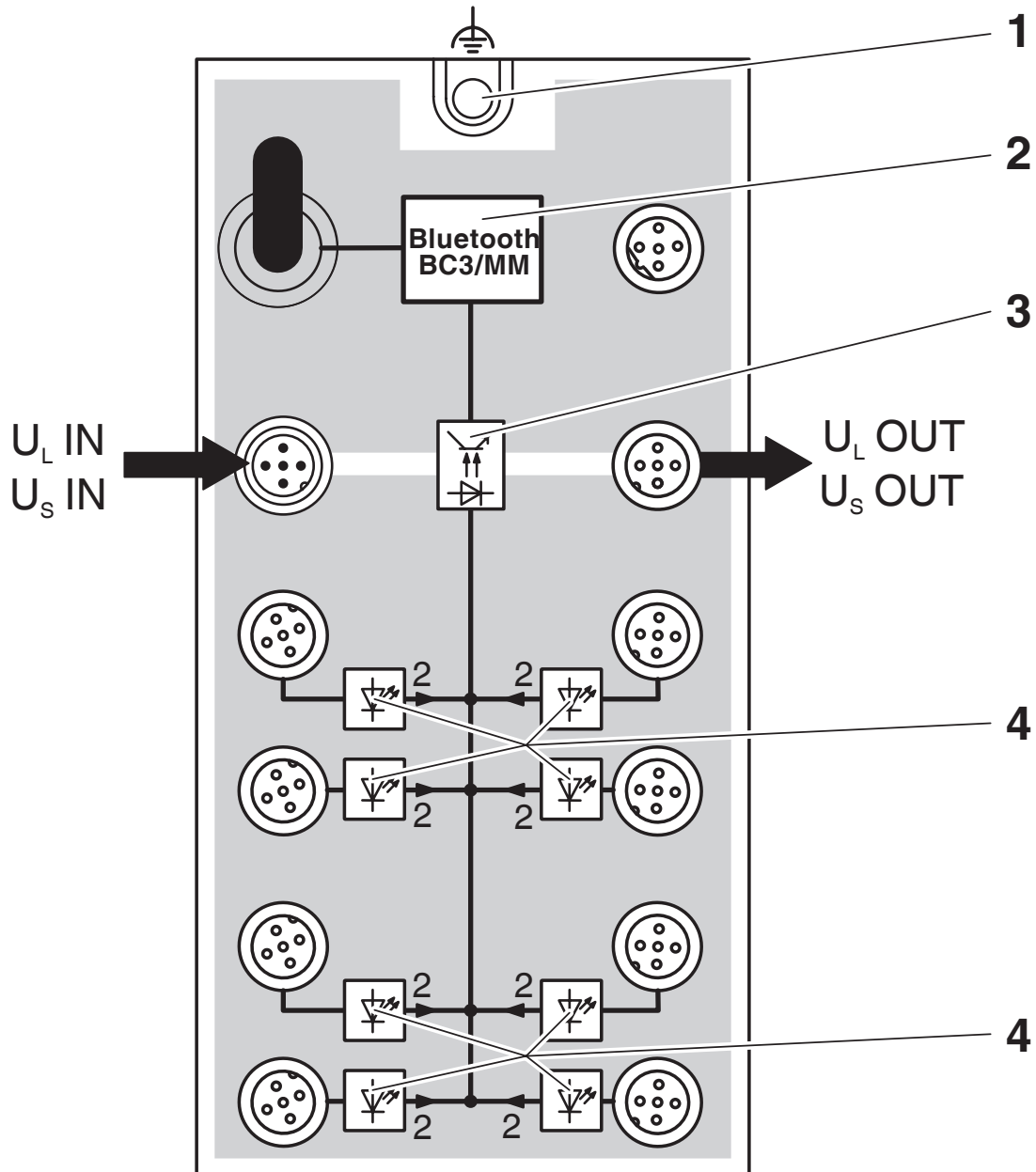
Pin 5 not used

FLM BT DI 16 M12 - Wireless module

2693208

<https://www.phoenixcontact.com/gb/products/2693208>

Circuit diagram



Basic circuit diagram:

- 1 Functional ground
- 2 Wireless unit
- 3 Optocoupler
- 4 LED

FLM BT DI 16 M12 - Wireless module



2693208

<https://www.phoenixcontact.com/gb/products/2693208>

Environmental product compliance

China RoHS

Environment friendly use period (EFUP)	EFUP-E
	No hazardous substances above the limits

EU REACH SVHC

REACH candidate substance (CAS No.)	No substance above 0.1 wt%
-------------------------------------	----------------------------

Phoenix Contact 2026 © - all rights reserved
<https://www.phoenixcontact.com>

PHOENIX CONTACT Ltd
Halesfield 13, Telford
Shropshire, TF7 4PG
01952 681700
info@phoenixcontact.co.uk