

Product datasheet

Specifications



solid state relay - DIN rail mount -
input 4-28 V DC, output 12-280 V
AC, 3A

SSLM1A13BD

⚠ Discontinued on: 6 Jun 2024

⚠ Discontinued

EAN Code: 3606485441771

Main

Range of product	Harmony Relay
Device short name	SSLM
Network number of phases	1 phase

Complementary

Mounting support	Symmetrical DIN rail
[In] rated current	3 A
Output voltage	12...280 V AC
[Uc] control circuit voltage	4...28 V DC
contacts type and configuration	1 NO
CLAMPING FORCE	0.6...0.8 N.m
Connections - terminals	Screw terminals, clamping capacity: 1 x 0.2...1 x 5.26 mm ² (AWG 24...AWG 10)
Switching voltage	4 V DC turn-on
Load current	0.1...3 A
Maximum voltage drop	<1.65 V on-state
Maximum leakage current	5 mA off-state
Overvoltage category	III
Width	7.5 mm
Height	80 mm
Depth	63 mm
Net weight	0.03 kg
Device presentation	Complete product

Environment

Dielectric strength	4000 V for input/output
Pollution degree	2
Product certifications	UL CSA EAC
Marking	CE EAC CSA UL

Ambient air temperature for operation	0...70 °C
---------------------------------------	-----------

Packing Units

Unit Type of Package 1	PCE
------------------------	-----

Number of Units in Package 1	1
------------------------------	---

Package 1 Height	6 cm
------------------	------

Package 1 Width	0.75 cm
-----------------	---------

Package 1 Length	8 cm
------------------	------

Package 1 Weight	31 g
------------------	------

Contractual warranty

Warranty (in months)	18
----------------------	----



Environmental Data

Schneider Electric aims to achieve Net Zero status by 2050 through supply chain partnerships, lower impact materials, and circularity via our ongoing “Use Better, Use Longer, Use Again” campaign to extend product lifetimes and recyclability.

[Environmental Data explained >](#)

[How we assess product sustainability >](#)

Use Better



Materials and Substances

EU RoHS Directive

[Compliant By Exemption](#)

Use Longer



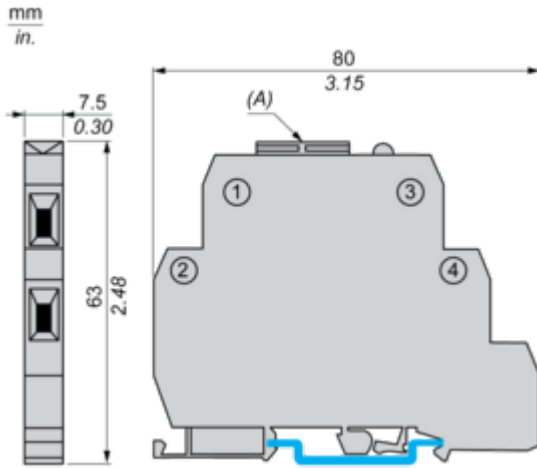
Lifetime extension

Repair

No

Dimensions Drawings

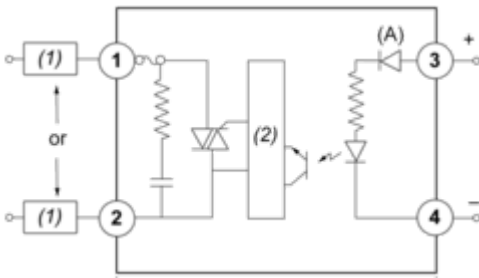
Dimensions



(A) Fuse Holder

Connections and Schema

Wiring Diagram



- 1,2 : Field VAC (Supply through Load)
- 3, 4 : Vcc
- (1) Load
- (2) Zero voltage detect
- (A) LED

Technical Illustration

Dimensions

