



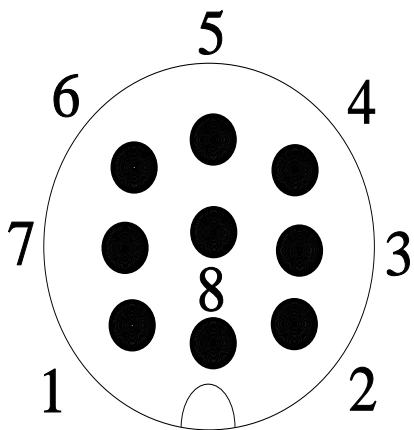
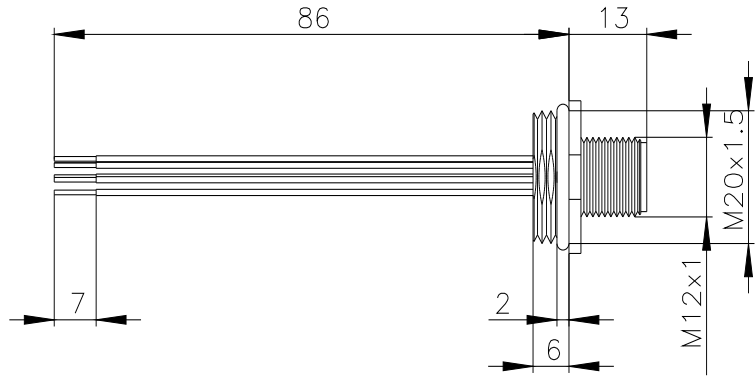
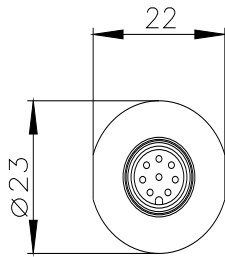
Accessory for position switches 3SE5, with M12 device plug 8-pole plastic, device connection M20 x 1.5

| General technical data | |
|--|--|
| product brand name | SIRIUS |
| operational current at 40 °C rated value | 1.5 A |
| operating voltage rated value | 30 V |
| number of poles | 8 |
| insulation resistance | 100 MΩ |
| ambient temperature during operation | -40 ... +85 °C |
| connector coding of the M12 circular connector | A - Standard |
| type of electrical connection | connector M12 |
| color coding of the core | Pin 1 = WH, Pin 2 = BN, Pin 3 = GN, Pin 4 = YE, Pin 5 = GY, Pin 6 = PK, Pin 7 = BU, Pin 8 = RD |
| overvoltage category | 2 |
| degree of pollution | 3 |
| protection class IP | IP67 |
| material | |
| • of the contact | CuZn |
| • of contact coating | Au |
| • of contact main body | PA |

| Certificates/ approvals | | |
|---|---|---|
| General Product Approval | other | Environment |
|   |   | Confirmation Environmental Confirmations |

Further information

Information on the packaging
<https://support.industry.siemens.com/cs/ww/en/view/109813875>
 Information for data generation and storage
<https://support.industry.siemens.com/cs/ww/en/view/109995012>
 Information- and Downloadcenter (Catalogs, Brochures,...)
<https://www.siemens.com/ic10>
 Industry Mall (Online ordering system)
<https://mall.industry.siemens.com/mall/en/en/Catalog/product?mlfb=3SX5100-1SS08>
 Cax online generator
<https://support.automation.siemens.com/WW/CAXorder/default.aspx?lang=en&mlfb=3SX5100-1SS08>
 Service&Support (Manuals, Certificates, Characteristics, FAQs,...)
<https://support.industry.siemens.com/cs/ww/en/ps/3SX5100-1SS08>
 Image database (product images, 2D dimension drawings, 3D models, device circuit diagrams, EPLAN macros, ...)
https://www.automation.siemens.com/bilddb/cax_de.aspx?mlfb=3SX5100-1SS08&lang=en



| | |
|---|-------------|
| 1 | WH = White |
| 2 | BN = Brown |
| 3 | GE = Green |
| 4 | YE = Yellow |
| 5 | GY = Grey |
| 6 | PK = Pink |
| 7 | BU = Blue |
| 8 | RD = Red |

