

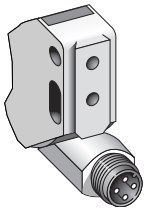


WL12-2P430

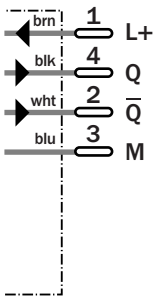
LICHTSCHRANKEN UND TASTER

SICK
Sensor Intelligence.

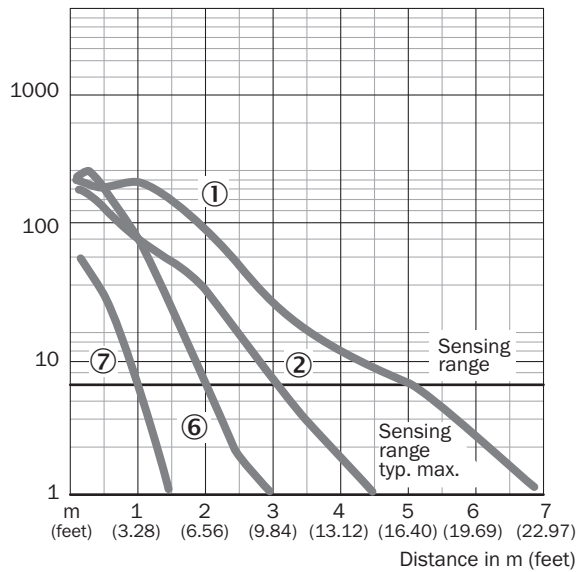
Connection type



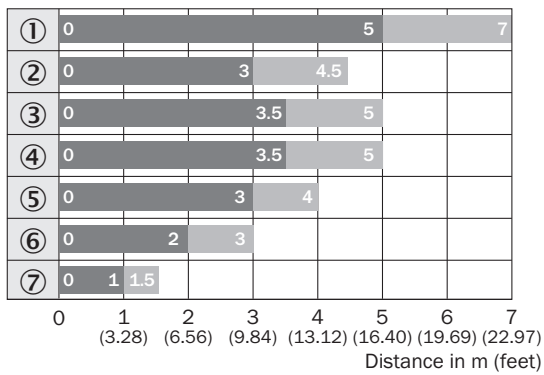
Connection diagram



Characteristic curve



Sensing range diagram



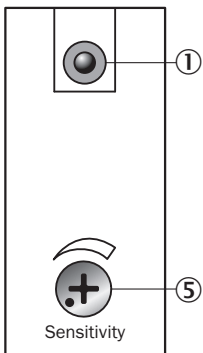
■ Sensing range

■ Sensing range typ. max.

Reflector type

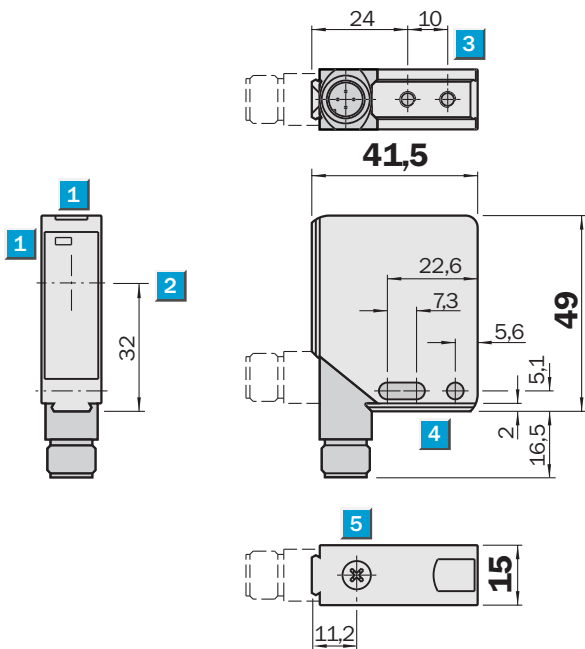
- ① PL80A
- ② C110
- ③ PL50A
- ④ PL40A
- ⑤ PL30A
- ⑥ PL20A
- ⑦ Reflective tape

Adjustments



- ① Receive indicator
- ⑤ sensitivity control

Dimensional drawing



Dimensions in mm (inch)

- ① LED signal strength indicator
- ② Center of optical axis
- ③ M4 threaded mounting hole – 4 mm depth
- ④ Mounting hole, Ø 4.2 mm
- ⑤ sensitivity control

SICK AT A GLANCE

SICK is one of the leading manufacturers of intelligent sensors and sensor solutions for industrial applications. A unique range of products and services creates the perfect basis for controlling processes securely and efficiently, protecting individuals from accidents and preventing damage to the environment.

We have extensive experience in a wide range of industries and understand their processes and requirements. With intelligent sensors, we can deliver exactly what our customers need. In application centers in Europe, Asia and North America, system solutions are tested and optimized in accordance with customer specifications. All this makes us a reliable supplier and development partner.

Comprehensive services complete our offering: SICK LifeTime Services provide support throughout the machine life cycle and ensure safety and productivity.

For us, that is “Sensor Intelligence.”

WORLDWIDE PRESENCE:

Contacts and other locations –www.sick.com