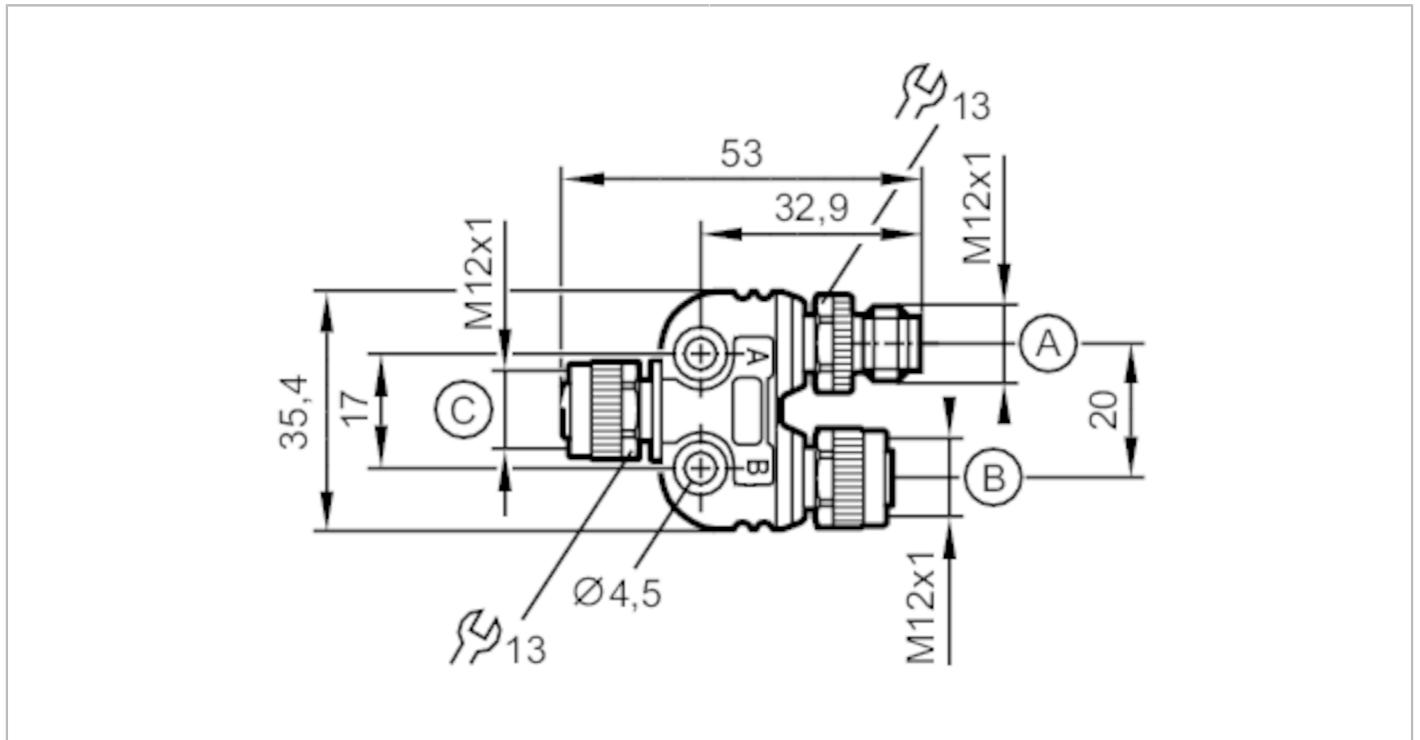


# E12529



## Y-splitter

ZDO2H050ZDS0000-00STGH050ZDS



Application	
Special feature	Free from silicone; Gold-plated contacts
Free from silicone	yes
Electrical data	
Operating voltage [V]	60 AC/DC
Protection class	II
Max. current load total [A]	4
Operating conditions	
Ambient temperature [°C]	-25...85
Protection	IP 68
Mechanical data	
Weight [g]	37.1
Materials	housing: PUR black Halogen-free
Remarks	
Pack quantity	1 pcs.

# E12529

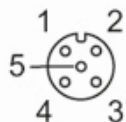


## Y-splitter

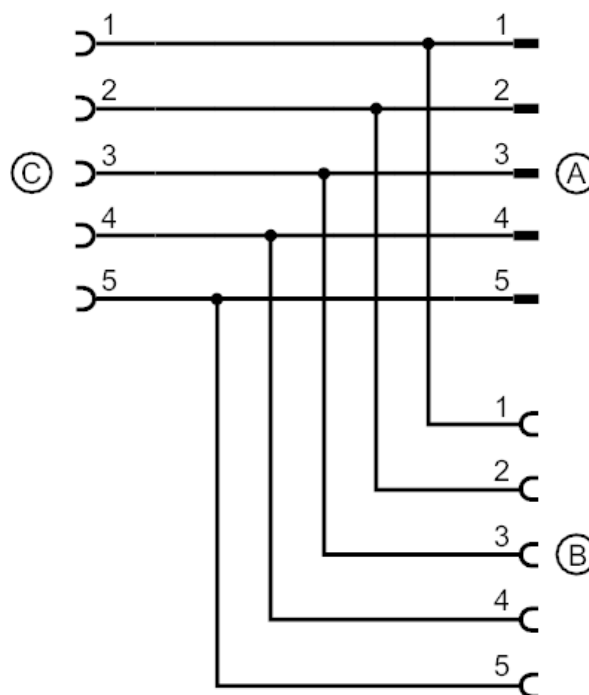
ZDO2H050ZDS0000-00STGH050ZDS

### Electrical connection - socket C

Connector: 1 x M12; coding: A; Contacts: gold-plated

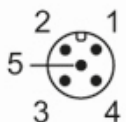


### Connection



### Electrical connection - plug A

Connector: 1 x M12; coding: A; Contacts: gold-plated



# E12529



## Y-splitter

ZDO2H050ZDS0000-00STGH050ZDS

### Electrical connection - socket B

Connector: 1 x M12; coding: A; Contacts: gold-plated

