

side wall mounted rot. operator standard IEC IP65 with mounting bracket 24 V DC lighting kit accessory for: 3VA51



Model	
product brand name	SETRON
product designation	side wall-mounted rotary operator
accessories	Side panel rotary operating mechanism
General technical data	
degree of protection NEMA rating	1, 3R, 12
protection class IP	IP65
Mechanical Design	
height	70 mm
Net Weight	1.292 kg
Certificates	
General Product Approval	





[Confirmation](#)

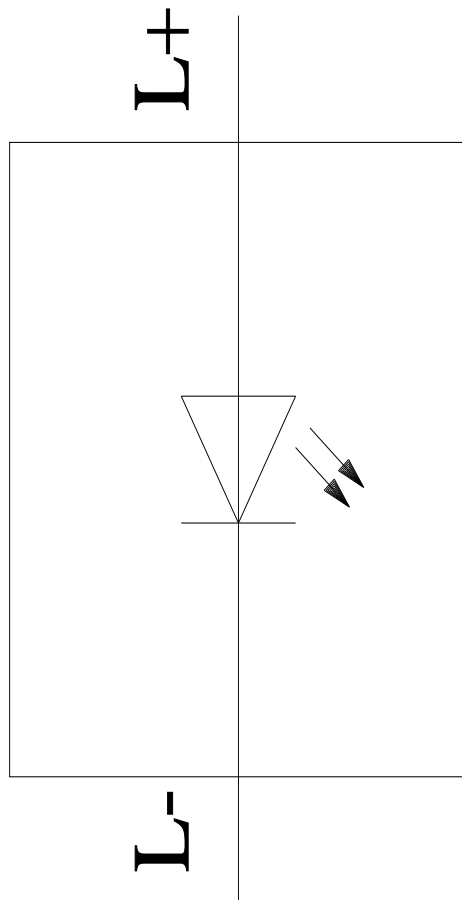
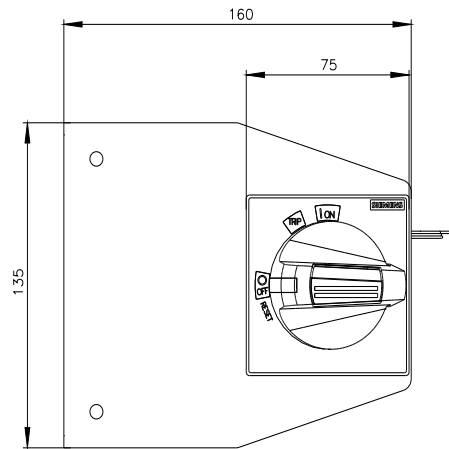
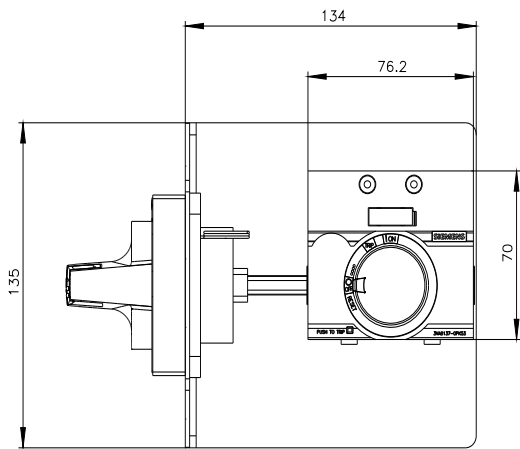


[Miscellaneous](#)



EMV	Maritime application	other	Environment		
		Confirmation	Miscellaneous	Environmental Con- firmations	Environmental Con- firmations

Further information
Information on the packaging https://support.industry.siemens.com/cs/ww/en/view/109813875
Information for data generation and storage https://support.industry.siemens.com/cs/ww/en/view/109995012
Information- and Downloadcenter (Catalogs, Brochures,...) https://www.siemens.com/lowvoltage/catalogs
Industry Mall (Online ordering system) https://mall.industry.siemens.com/mall/en/en/Catalog/product?mlfb=3VA9137-0PK53
Service&Support (Manuals, Certificates, Characteristics, FAQs,...) https://support.industry.siemens.com/cs/ww/en/ps/3VA9137-0PK53
Image database (product images, 2D dimension drawings, 3D models, device circuit diagrams, ...) https://www.automation.siemens.com/bilddb/cax_en.aspx?mlfb=3VA9137-0PK53
CAX-Online-Generator https://www.siemens.com/cax
Tender specifications https://www.siemens.com/specifications



last modified:

4/3/2025

