



Sealable cap for selector switch, short, 30 mm, clear

product brand name	SIRIUS ACT
product designation	Sealable cap
design of the product	for selectors, short
product type designation	3SU1

**General technical data**

protection class IP	IP66, IP67, IP69(IP69K)
degree of protection NEMA rating	1, 2, 3, 3R, 4, 4X, 12
Substance Prohibitance (Date)	10/01/2014
Net Weight	15 g

**Ambient conditions**

ambient temperature	-40 ... +80 °C
• during storage	

**Installation/ mounting/ dimensions**

height	39.2 mm
width	32.5 mm
depth	22 mm

**Accessories**

material of accessory	Plastic
color of accessory	sand gray

**Approvals Certificates**

Environment	General Product Approval	Test Certificates
-------------	--------------------------	-------------------

[Environmental Confirmations](#)



[Type Test Certificates/Test Report](#)

Maritime application	other
----------------------	-------



[Confirmation](#)

**Further information**

- Information on the packaging  
<https://support.industry.siemens.com/cs/ww/en/view/109813875>
- Information for data generation and storage  
<https://support.industry.siemens.com/cs/ww/en/view/109995012>
- Information- and Downloadcenter (Catalogs, Brochures,...)

<https://www.siemens.com/ic10>

Industry Mall (Online ordering system)

<https://mall.industry.siemens.com/mall/en/en/Catalog/product?mlfb=3SU1960-0EY70-0AA0>

Cax online generator

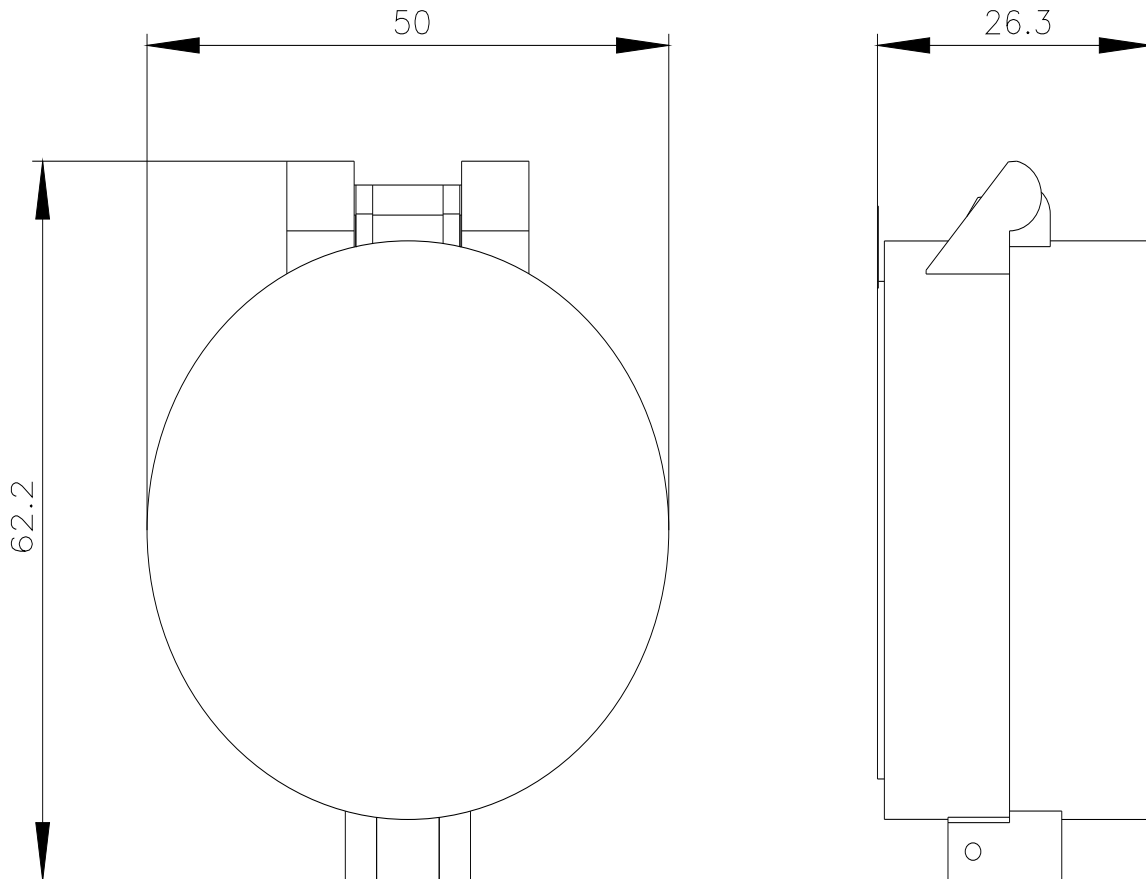
<https://support.automation.siemens.com/WW/CAXorder/default.aspx?lang=en&mlfb=3SU1960-0EY70-0AA0>

Service&Support (Manuals, Certificates, Characteristics, FAQs,...)

<https://support.industry.siemens.com/cs/ww/en/ps/3SU1960-0EY70-0AA0>

Image database (product images, 2D dimension drawings, 3D models, device circuit diagrams, EPLAN macros, ...)

[https://www.automation.siemens.com/bilddb/cax\\_de.aspx?mlfb=3SU1960-0EY70-0AA0&lang=en](https://www.automation.siemens.com/bilddb/cax_de.aspx?mlfb=3SU1960-0EY70-0AA0&lang=en)



last modified:

5/8/2025 