

CUC-V14-F2ZNI-EM/24FN5:FC - Panel-mount frame



1408235

<https://www.phoenixcontact.com/gb/products/1408235>

Please be informed that the data shown in this PDF document is generated from our online catalog. Please find the complete data in the user documentation. Our general terms of use for downloads are valid.



Push/pull panel mounting frame, metal, version 14, including contact insert with spring-cage connection, flexible coding, for rectangular mounting cutout, with seal, without fixing screws

Commercial data

Item number	1408235
Packing unit	1 pc
Minimum order quantity	1 pc
Sales key	ABNOJA
Product key	ABNOJA
GTIN	4046356801898
Weight per piece (including packing)	63.5 g
Weight per piece (excluding packing)	63.5 g
Customs tariff number	85366990
Country of origin	DE

Technical data

Notes

General	This product corresponds to the PROFINET Cabling and Interconnection Technology Guideline for PROFINET regulations, version 2.00, order no: 2.252, Chapter 11 Connectors for 24 Volt Power Supply Cabling and Chapter 13 Application specific Cabling and Interconnection Technology (AIDA)
---------	---

Product properties

Type	MSTB
Number of positions	5
Shielded	no

Insulation characteristics

Degree of pollution	2
---------------------	---

Electrical properties

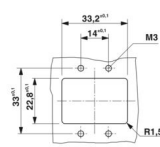
Rated voltage (II/2)	630 V
Rated voltage (III/2)	400 V
Rated voltage (III/3)	24 V
	250 V
Rated surge voltage (II/2)	4 kV
Rated surge voltage (III/2)	4 kV
Rated surge voltage (III/3)	4 kV
Rated current	16 A (at 20 °C)
	16 A

Connection data

Connection technology

Connection method	Spring-cage connection
-------------------	------------------------

Dimensions

Dimensional drawing	
Width	36.2 mm
Height	42 mm
Length	41.9 mm

Material specifications

Color	silver
-------	--------

CUC-V14-F2ZNI-EM/24FN5:FC - Panel-mount frame



1408235

<https://www.phoenixcontact.com/gb/products/1408235>

Flammability rating according to UL 94	V0
Seal material	NBR

Mechanical properties

Mechanical data

Insertion/withdrawal cycles	≥ 100
-----------------------------	-------

Environmental and real-life conditions

Ambient conditions

Degree of protection	IP65/IP67
Ambient temperature (operation)	-40 °C ... 70 °C
Ambient temperature (storage/transport)	-40 °C ... 85 °C

CUC-V14-F2ZNI-EM/24FN5:FC - Panel-mount frame

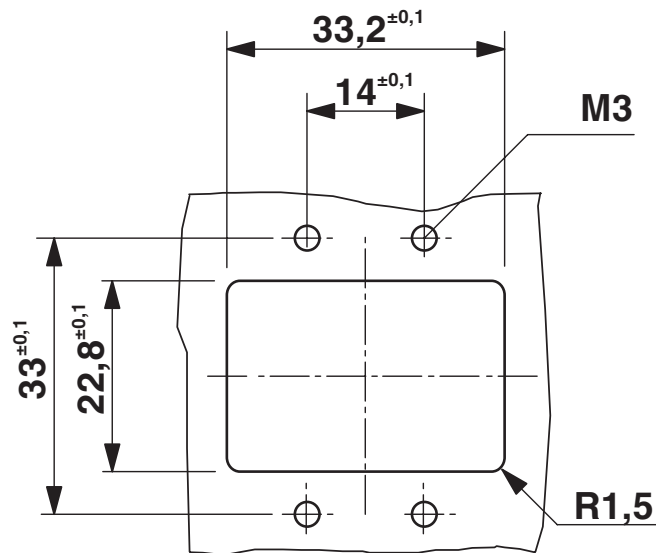


1408235

<https://www.phoenixcontact.com/gb/products/1408235>

Drawings

Dimensional drawing



Mounting cutout

CUC-V14-F2ZNI-EM/24FN5:FC - Panel-mount frame




1408235

<https://www.phoenixcontact.com/gb/products/1408235>

Approvals

To download certificates, visit the product detail page: <https://www.phoenixcontact.com/gb/products/1408235>

 UL Recognized Approval ID: E118976				
	Nominal voltage U_N	Nominal current I_N	Cross section AWG	Cross section mm^2
keine				
	24 V	16 A	- 14	-

1408235

<https://www.phoenixcontact.com/gb/products/1408235>

Classifications

ECLASS

ECLASS-13.0	27440312
ECLASS-15.0	27440210

ETIM

ETIM 10.0	EC002641
-----------	----------

UNSPSC

UNSPSC 21.0	39121400
-------------	----------

1408235

<https://www.phoenixcontact.com/gb/products/1408235>

Environmental product compliance

EU RoHS

Fulfills EU RoHS substance requirements	Yes, No exemptions
---	--------------------

China RoHS

Environment friendly use period (EFUP)	EFUP-E
	No hazardous substances above the limits

EU REACH SVHC

REACH candidate substance (CAS No.)	6,6'-di-tert-butyl-2,2'-methylenedi-p-cresol(CAS: 119-47-1)
SCIP	64b172a3-ad1a-4e6e-801c-d7ed6dfabadd

Phoenix Contact 2026 © - all rights reserved

<https://www.phoenixcontact.com>

PHOENIX CONTACT Ltd
Halesfield 13, Telford
Shropshire, TF7 4PG
01952 681700
info@phoenixcontact.co.uk