

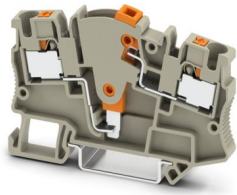
# PTME 4 BG - Test disconnect terminal block



1754667

<https://www.phoenixcontact.com/gb/products/1754667>

Please be informed that the data shown in this PDF document is generated from our online catalog. Please find the complete data in the user documentation. Our general terms of use for downloads are valid.



Test disconnect terminal block, nom. voltage: 500 V, nominal current: 24 A, number of connections: 2, connection method: Push-in connection, Rated cross section: 4 mm<sup>2</sup>, 1 level, cross section: 0.2 mm<sup>2</sup> - 6 mm<sup>2</sup>, mounting type: NS 35/7,5, NS 35/15, color: beige

## Your advantages

- Feed-through terminal blocks of the same shape are available
- Clear selection thanks to printed switching symbols
- Clear
- Easy operation
- Compact design
- Flexible and comprehensive accessories
- Reliably snapped into the end positions

## Commercial data

|                                      |               |
|--------------------------------------|---------------|
| Item number                          | 1754667       |
| Packing unit                         | 50 pc         |
| Minimum order quantity               | 50 pc         |
| Sales key                            | BE2233        |
| Product key                          | BE2233        |
| GTIN                                 | 4067923322196 |
| Weight per piece (including packing) | 14.4 g        |
| Weight per piece (excluding packing) | 14.4 g        |
| Country of origin                    | PL            |

# PTME 4 BG - Test disconnect terminal block



1754667

<https://www.phoenixcontact.com/gb/products/1754667>

## Technical data

### Product properties

|                       |   |
|-----------------------|---|
| Number of connections | 2 |
| Number of rows        | 1 |
| Potentials            | 1 |

### Insulation characteristics

|                      |     |
|----------------------|-----|
| Overvoltage category | III |
|----------------------|-----|

### Electrical properties

|   |        |
|---|--------|
| Rated surge voltage                             | 6 kV   |
| Maximum power dissipation for nominal condition | 1.02 W |

### Connection data

|                                 |                   |
|---------------------------------|-------------------|
| Number of connections per level | 2                 |
| Nominal cross section           | 4 mm <sup>2</sup> |

#### 1 level

|   |  |
|---|--|
| Connection method   | Push-in connection                         |
| Stripping length  | 10 mm ... 12 mm                            |
| Internal cylindrical gage   | A4   |
| Connection in acc. with standard  | IEC 60947-7-1                              |
| Conductor cross-section rigid   | 0.2 mm <sup>2</sup> ... 6 mm <sup>2</sup>  |
| Cross section AWG   | 24 ... 10 (converted acc. to IEC)          |
| Conductor cross-section flexible  | 0.2 mm <sup>2</sup> ... 4 mm <sup>2</sup>  |
| Conductor cross-section, flexible [AWG]   | 24 ... 12 (converted acc. to IEC)          |
| Conductor cross-section flexible (ferrule without plastic sleeve)                         | 0.25 mm <sup>2</sup> ... 4 mm <sup>2</sup> |
| Flexible conductor cross-section (ferrule with plastic sleeve)                            | 0.25 mm <sup>2</sup> ... 4 mm <sup>2</sup> |
| 2 conductors with the same cross section, flexible, with TWIN ferrule with plastic sleeve | 0.5 mm <sup>2</sup> ... 1 mm <sup>2</sup>  |
| Nominal cross section   | 4 mm <sup>2</sup>                          |
| Nominal current   | 24 A                                       |
| Maximum load current  | 24 A                                       |
| Nominal voltage   | 500 V                                      |

#### 1 level Connection cross sections directly pluggable

|   |   |
|---|---|
| Conductor cross-section rigid                                     | 0.5 mm <sup>2</sup> ... 6 mm <sup>2</sup> |
| Conductor cross-section flexible (ferrule without plastic sleeve) | 0.5 mm <sup>2</sup> ... 4 mm <sup>2</sup> |
| Flexible conductor cross-section (ferrule with plastic sleeve)    | 0.5 mm <sup>2</sup> ... 4 mm <sup>2</sup> |

### Dimensions

|                 |         |
|-----------------|---------|
| Width           | 6.2 mm  |
| End cover width | 2.2 mm  |
| Height          | 70.5 mm |

# PTME 4 BG - Test disconnect terminal block



1754667

<https://www.phoenixcontact.com/gb/products/1754667>

|                    |         |
|--------------------|---------|
| Depth              | 48.8 mm |
| Depth on NS 35/7,5 | 49.5 mm |
| Depth on NS 35/15  | 57 mm   |

## Material specifications

|  |                  |
|--|------------------|
| Color  | beige (RAL 1001) |
| Flammability rating according to UL 94                           | V0               |
| Insulating material group  | I                |
| Insulating material  | PA               |
| Static insulating material application in cold                   | -60 °C           |
| Relative insulation material temperature index (Elec., UL 746 B) | 130 °C           |
| Fire protection for rail vehicles (DIN EN 45545-2) R22           | HL 1 - HL 3      |
| Fire protection for rail vehicles (DIN EN 45545-2) R23           | HL 1 - HL 3      |
| Fire protection for rail vehicles (DIN EN 45545-2) R24           | HL 1 - HL 3      |
| Fire protection for rail vehicles (DIN EN 45545-2) R26           | HL 1 - HL 3      |
| Surface flammability NFPA 130 (ASTM E 162)                       | passed           |
| Specific optical density of smoke NFPA 130 (ASTM E 662)          | passed           |
| Smoke gas toxicity NFPA 130 (SMP 800C)                           | passed           |

## Mechanical properties

### Mechanical data

|                 |     |
|-----------------|-----|
| Open side panel | Yes |
|-----------------|-----|

## Environmental and real-life conditions

### Ambient conditions

|  |  |
|--|--|
| Ambient temperature (operation)          | -60 °C ... 110 °C (Operating temperature range incl. self-heating; for max. short-term operating temperature, see RTI Elec.) |
| Ambient temperature (storage/transport)  | -25 °C ... 60 °C (for a short time, not exceeding 24 h, -60 °C to +70 °C)  |
| Ambient temperature (assembly)           | -5 °C ... 70 °C  |
| Ambient temperature (actuation)          | -5 °C ... 70 °C  |
| Permissible humidity (operation)         | 20 % ... 90 %  |
| Permissible humidity (storage/transport) | 30 % ... 70 %  |

## Standards and regulations

|                                  |               |
|----------------------------------|---------------|
| Connection in acc. with standard | IEC 60947-7-1 |
|----------------------------------|---------------|

## Mounting

|               |   |
|---------------|---|
| Mounting type | NS 35/7,5   |
|               | NS 35/15  |
| Assembly note | For isolation purposes, the screw head in NS 35/7,5 DIN rails may not exceed a height of 5 mm including the washer. |

# PTME 4 BG - Test disconnect terminal block

1754667

<https://www.phoenixcontact.com/gb/products/1754667>

## Drawings

Circuit diagram



Circuit diagram

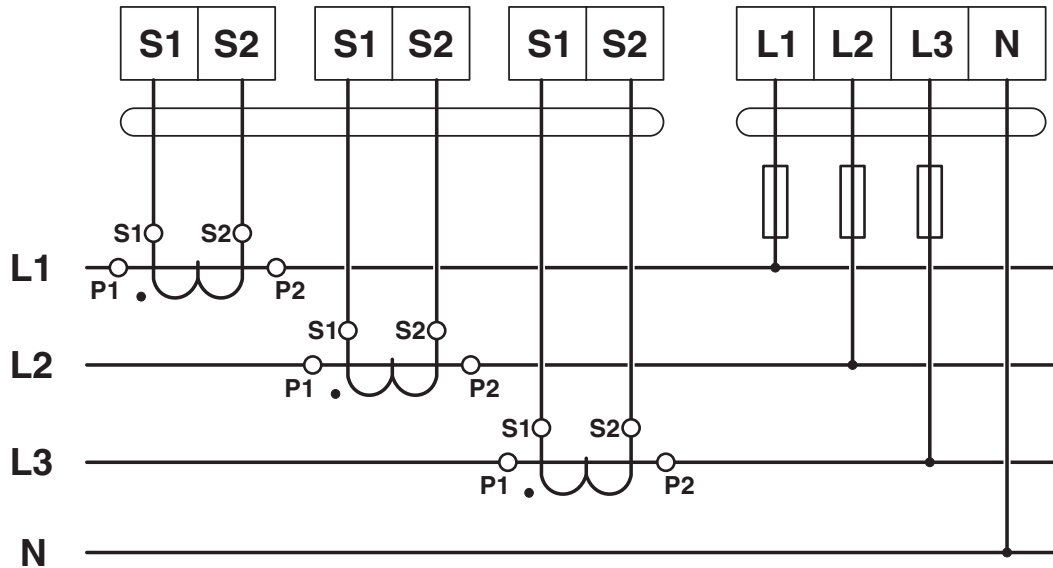


# PTME 4 BG - Test disconnect terminal block

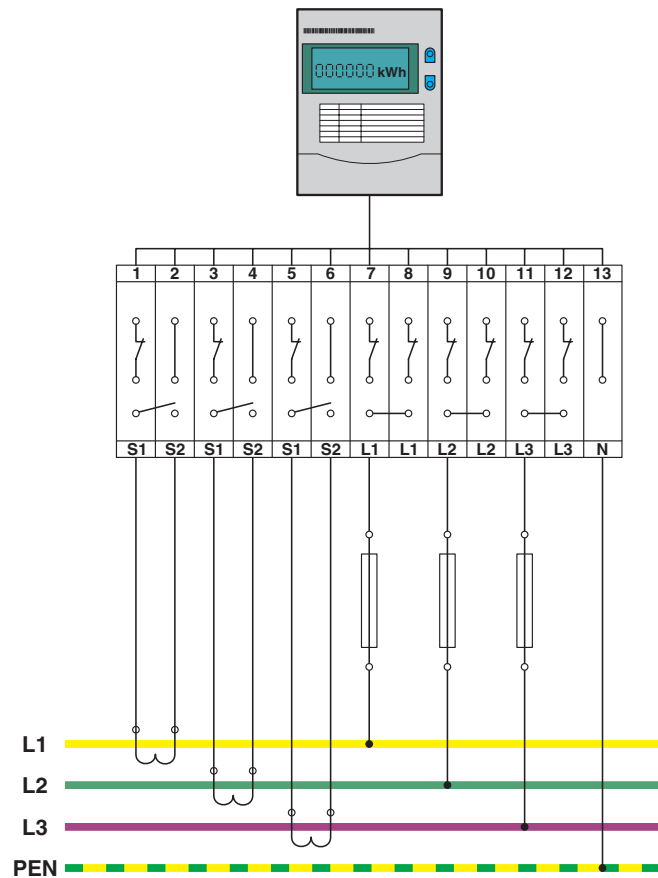
1754667

<https://www.phoenixcontact.com/gb/products/1754667>

Circuit diagram



Circuit diagram



# PTME 4 BG - Test disconnect terminal block



1754667

<https://www.phoenixcontact.com/gb/products/1754667>

## Approvals

To download certificates, visit the product detail page: <https://www.phoenixcontact.com/gb/products/1754667>



**EAC**

Approval ID: RU C-DE.BL08.B.00644



**cULus Recognized**

Approval ID: E60425

|   | Nominal voltage $U_N$ | Nominal current $I_N$ | Cross section AWG | Cross section $\text{mm}^2$ |
|---|-----------------------|-----------------------|-------------------|-----------------------------|
| B |                       |                       |                   |                             |
|   | 300 V                 | 26 A                  | 24 - 10           | -                           |
| C |                       |                       |                   |                             |
|   | 300 V                 | 26 A                  | 24 - 10           | -                           |

# PTME 4 BG - Test disconnect terminal block



1754667

<https://www.phoenixcontact.com/gb/products/1754667>

## Classifications

### ECLASS

|             |          |
|-------------|----------|
| ECLASS-13.0 | 27250109 |
| ECLASS-15.0 | 27250109 |

### ETIM

|           |          |
|-----------|----------|
| ETIM 10.0 | EC000902 |
|-----------|----------|

### UNSPSC

|             |          |
|-------------|----------|
| UNSPSC 21.0 | 39121400 |
|-------------|----------|

# PTME 4 BG - Test disconnect terminal block



1754667

<https://www.phoenixcontact.com/gb/products/1754667>

## Environmental product compliance

### EU RoHS

|   |                    |
|---|--------------------|
| Fulfills EU RoHS substance requirements | Yes, No exemptions |
|---|--------------------|

### China RoHS

|  |  |
|--|--|
| Environment friendly use period (EFUP) | EFUP-E                                   |
|  | No hazardous substances above the limits |

### EU REACH SVHC

|                                     |                            |
|-------------------------------------|----------------------------|
| REACH candidate substance (CAS No.) | No substance above 0.1 wt% |
|-------------------------------------|----------------------------|

Phoenix Contact 2026 © - all rights reserved  
<https://www.phoenixcontact.com>

PHOENIX CONTACT Ltd  
Halesfield 13, Telford  
Shropshire, TF7 4PG  
01952 681700  
[info@phoenixcontact.co.uk](mailto:info@phoenixcontact.co.uk)