

# SACC-M12MR-8Q SH - Data connector



1553653

<https://www.phoenixcontact.com/gb/products/1553653>

Please be informed that the data shown in this PDF document is generated from our online catalog. Please find the complete data in the user documentation. Our general terms of use for downloads are valid.

Data connector, Ethernet CAT5 (1 Gbps), 8-position, shielded, Plug angled M12, coding: A, Insulation displacement connection, knurl material: Brass, nickel-plated, external cable diameter 4 mm ... 8 mm



## Your advantages

- Safe use in the field, thanks to a high degree of protection
- Insulation displacement connection: innovative and time-saving assembly without stripping the single wire
- Reliable signal transmission – 360° shielding in environments with electromagnetic interference

## Commercial data

Item number	1553653
Packing unit	1 pc
Minimum order quantity	1 pc
Sales key	AF2CDI
Product key	AF2CDI
GTIN	4046356158824
Weight per piece (including packing)	39.3 g
Weight per piece (excluding packing)	39.3 g
Customs tariff number	85366990
Country of origin	DE

# SACC-M12MR-8Q SH - Data connector



1553653

<https://www.phoenixcontact.com/gb/products/1553653>

## Technical data

### Notes

Assembly note	<b>NOTE:</b> Observe the permissible bending radii when routing cables, since the degree of protection may be at risk if the bending forces are too high. Reduce mechanical loads upstream of the connector, e.g., by using cable ties.
---------------	---

### Mounting

Assembly note	The connector pin assignment can be rotated 45° to the cable outlet
---------------	---

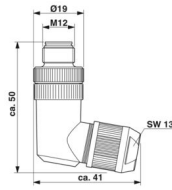
### Product properties

Application	Data
Sensor type	Ethernet
Number of positions	8
No. of cable outlets	1
Shielded	yes
Coding	A
Cable outlet	angled

### Insulation characteristics

Overvoltage category	II
Degree of pollution	3

### Dimensions

Dimensional drawing	
Length	50 mm

### External dimensions

Outside diameter	4 mm ... 8 mm
------------------	---------------

### Housing

Diameter housing	19 mm
------------------	-------

### Material specifications

Flammability rating according to UL 94	V0
Seal material	Neoprene
Material of grip body	Zinc die-cast, nickel-plated
Contact material	CuSn
Contact surface material	Ni/Au

# SACC-M12MR-8Q SH - Data connector



1553653

<https://www.phoenixcontact.com/gb/products/1553653>

Contact carrier material	PA 6
Material for screw connection	Brass, nickel-plated

## Connection data

### Conductor connection

Connection method	Insulation displacement connection
Connection cross section	0.14 mm <sup>2</sup> ... 0.34 mm <sup>2</sup> (solid) 0.14 mm <sup>2</sup> ... 0.34 mm <sup>2</sup> (solid)
Connection cross section AWG	26 ... 22
Tightening torque	0.4 Nm (M12 knurl) 0.8 Nm (Connector with coupling sleeve) 3 Nm (Pressure nut with coupling sleeve)

## Electrical properties

Rated surge voltage	0.8 kV
Contact resistance	≤ 5 mΩ
Insulation resistance	≥ 100 MΩ
Nominal voltage U <sub>N</sub>	30 V AC 30 V DC
Nominal current I <sub>N</sub>	2 A
Transmission speed	1 Gbps

## Mechanical properties

### Mechanical data

Insertion/withdrawal cycles	≥ 100
-----------------------------	-------

## Connector

### Connection 1

Head design	Plug
Head cable outlet	angled
Head thread type	M12
Coding	A

## Cable/line

Signal type/category	Ethernet CAT5 (based on IEC 11801), 1 Gbps
----------------------	--

## Environmental and real-life conditions

### Ambient conditions

Degree of protection	IP67
Ambient temperature (operation) (male connector/female connector)	-40 °C ... 85 °C (Plug / socket)
Ambient temperature (assembly)	-5 °C ... 50 °C

# SACC-M12MR-8Q SH - Data connector



1553653

<https://www.phoenixcontact.com/gb/products/1553653>

## Standards and regulations

M12

Standard designation	M12 connector
Standards/specifications	according to IEC 61076-2-101

# SACC-M12MR-8Q SH - Data connector

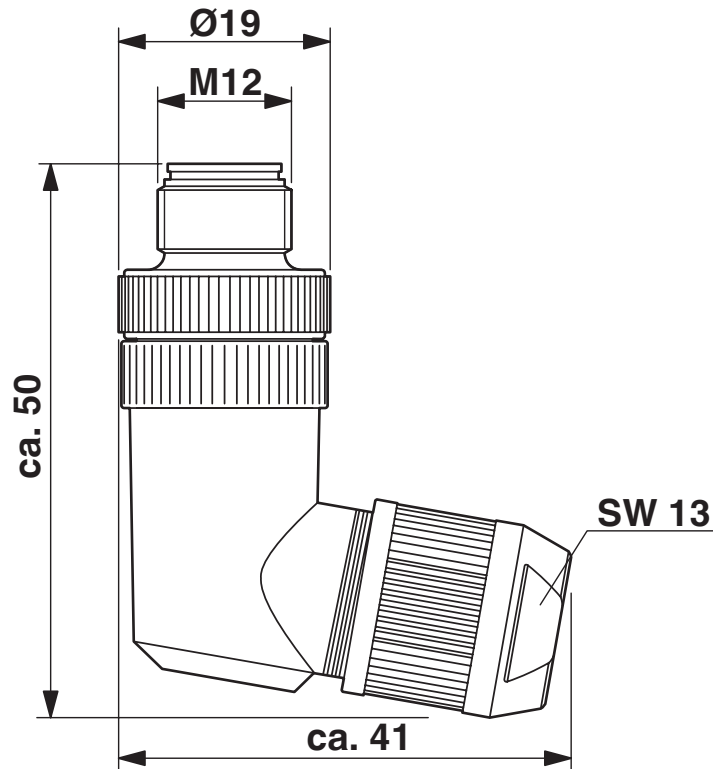
1553653

<https://www.phoenixcontact.com/gb/products/1553653>



## Drawings

Dimensional drawing



M12 x 1 male plug, angled, shielded

# SACC-M12MR-8Q SH - Data connector

1553653

<https://www.phoenixcontact.com/gb/products/1553653>



Schematic diagram



Pin assignment M12 plug, 8-pos., view plug side

# SACC-M12MR-8Q SH - Data connector



1553653

<https://www.phoenixcontact.com/gb/products/1553653>

## Approvals

To download certificates, visit the product detail page: <https://www.phoenixcontact.com/gb/products/1553653>



**EAC**

Approval ID: RU C-DE.AI30.B.01102

# SACC-M12MR-8Q SH - Data connector



1553653

<https://www.phoenixcontact.com/gb/products/1553653>

## Classifications

### ECLASS

ECLASS-13.0	27440116
ECLASS-15.0	27440116

### ETIM

ETIM 10.0	EC002635
-----------	----------

### UNSPSC

UNSPSC 21.0	39121400
-------------	----------

# SACC-M12MR-8Q SH - Data connector



1553653

<https://www.phoenixcontact.com/gb/products/1553653>

## Environmental product compliance

### EU RoHS

Fulfills EU RoHS substance requirements	Yes, No exemptions
---	--------------------

### China RoHS

Environment friendly use period (EFUP)	EFUP-E
	No hazardous substances above the limits

### EU REACH SVHC

REACH candidate substance (CAS No.)	2-(2H-benzotriazol-2-yl)-4-(1,1,3,3-tetramethylbutyl)phenol (UV-329)(CAS: 3147-75-9)
SCIP	24791fef-9e4a-4b5c-b8cd-f33df895e70b

### EF3.1 Climate Change

CO2e kg	0.525 kg CO2e
---------	---------------

Phoenix Contact 2026 © - all rights reserved  
<https://www.phoenixcontact.com>

PHOENIX CONTACT Ltd  
Halesfield 13, Telford  
Shropshire, TF7 4PG  
01952 681700  
[info@phoenixcontact.co.uk](mailto:info@phoenixcontact.co.uk)