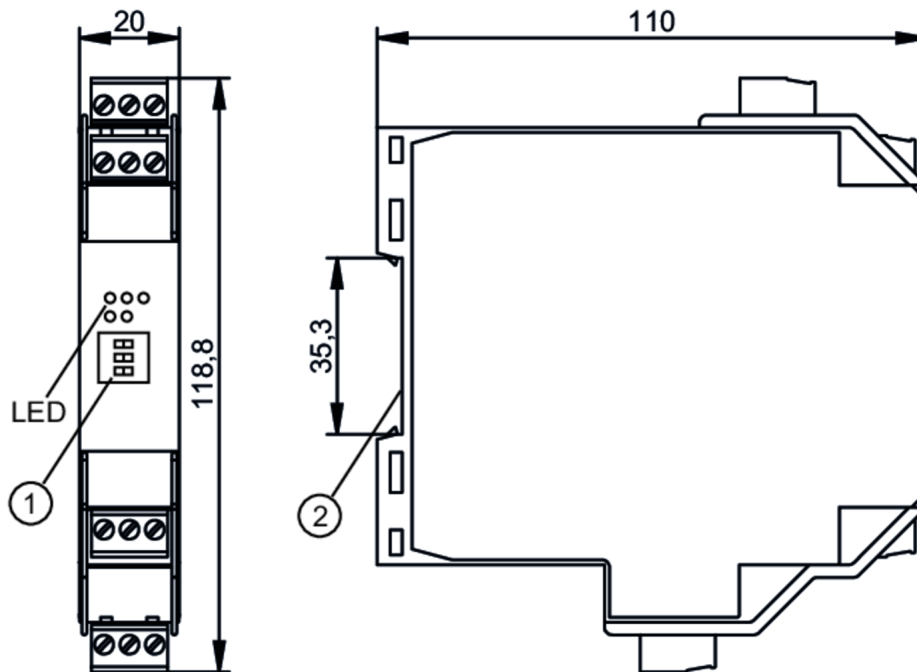


# N0539A



## Switching amplifiers for Namur sensors

NV1222/24VDC/TR/1D/1G



- 1 selector switch
- 2 mounting on DIN rail



### Product characteristics

Number of inputs and outputs      Number of digital outputs: 2

### Application

Design      housing for DIN rail mounting

Application      short-circuit monitoring; Wire monitoring

### Electrical data

Operating voltage tolerance [%]      -15...25

Operating voltage [V]      24 DC

Current consumption [mA]      < 50

Number of channels      2

### Inputs / outputs

Number of inputs and outputs      Number of digital outputs: 2

### Outputs

Electrical design      PNP

Number of digital outputs      2

Max. voltage drop switching output DC [V]      3.5

Max. current load per output [mA]      100

Switching frequency DC [Hz]      5000

Short-circuit proof      yes

# N0539A



## Switching amplifiers for Namur sensors

NV1222/24VDC/TR/1D/1G

Operating conditions		
Ambient temperature	[°C]	-20...60
Protection		IP 20
Tests / approvals		
Approval		FIDI 20 ATEX 0022X; IECEx FIDI 20.0003X
ATEX marking		II 3 (1) G Ex nA [ia Ga] IIC T4 Gc
		II (1) D [Ex ia Da] IIIC
		I (M1) [Ex ia Ma] I
EMC		NE 21 (2012) EN 61326-3-2 (2008)
MTTF	[years]	345
Mechanical data		
Weight	[g]	198.4
Type of mounting		mounting on DIN rail; (TH35 (EN 60715))
Dimensions	[mm]	118.8 x 20 x 110
Displays / operating elements		
Display	switching status	2 x LED, yellow
	operation	LED, green
	function	2 x LED, red
Remarks		
Remarks		Caution The switching amplifier has to be mounted according to the requirements of the operating instructions Free terminals must not be used.
Pack quantity		1 pcs.

# N0539A



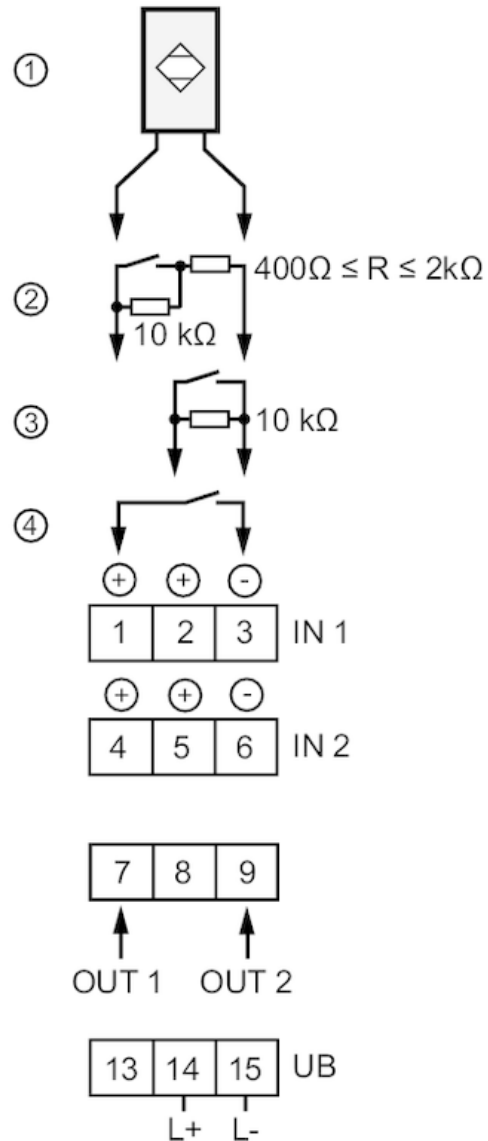
## Switching amplifiers for Namur sensors

NV1222/24VDC/TR/1D/1G

### Electrical connection

terminals: ...2.5 mm<sup>2</sup>

### Connection



# N0539A



## Switching amplifiers for Namur sensors

NV1222/24VDC/TR/1D/1G

### Other data

#### Maximum values for control circuit

in protection rating intrinsic safety	[Ex ia Ga] IIC	[Ex ia Ga] IIB	[Ex ia Da] IIIC	[Ex ia Ga] IIA	[Ex ia Ma] I
Voltage [V]	10.5	10.5	10.5	10.5	10.5
Current [mA]	17.1	17.1	17.1	17.1	17.1
Power [mW]	45	45	45	45	45
External inductance [mH]	121.5	486.3	486.3	972.7	1000
or Lo/Ro [mH/Ω]	0.79	3.16	3.16	6.33	10.39
External capacitance [μF]	2.41	16.8	16.8	75	95