

E12008



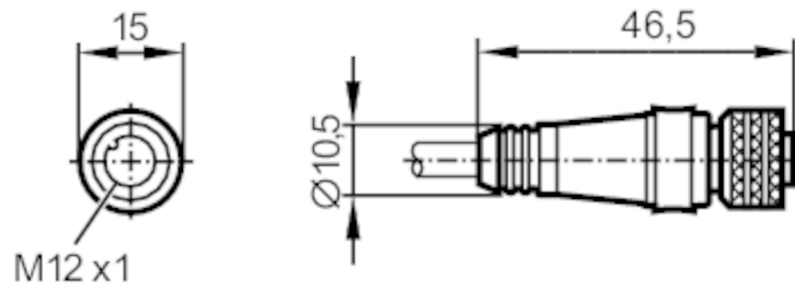
Connecting cable with socket

ADOGH050MSS0030C05

Article no longer available - archive entry

Alternative articles: EVC561

When selecting an alternative article and accessories please note that technical data may differ!



Application	
Special feature	Free from silicone; Halogen-free; Gold-plated contacts; Screened cable
Application	Industrial applications / factory automation
Free from silicone	yes
Electrical data	
Operating voltage [V]	< 30 AC / < 36 DC
Protection class	III
Max. current load total [A]	4
Operating conditions	
Ambient temperature [°C]	-25...80
Protection	IP 67
Mechanical data	
Weight [g]	1286.4
Dimensions [mm]	15 x 15 x 46.5
Materials	TPU
Moulded-body material	TPU
Material nut	brass, nickel-plated
Remarks	
Pack quantity	1 pcs.

E12008



Connecting cable with socket

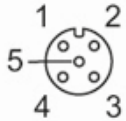
ADOGH050MSS0030C05

Electrical connection

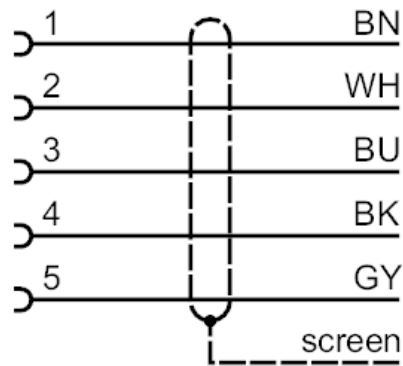
Cable: 30 m, PUR, Halogen-free, black, Ø 5.5 mm, shielded; 5 x 0.25 mm² (32 x Ø 0.1 mm)

Electrical connection - socket

Connector: 1 x M12, straight; coding: A; Moulded body: TPU; Locking: brass, nickel-plated; Contacts: gold-plated; Tightening torque: 0.5 Nm; Shielded connection cable: screen not connected



Connection



Core colours :	
BK =	black
BN =	brown
BU =	blue
GY =	grey
WH =	white