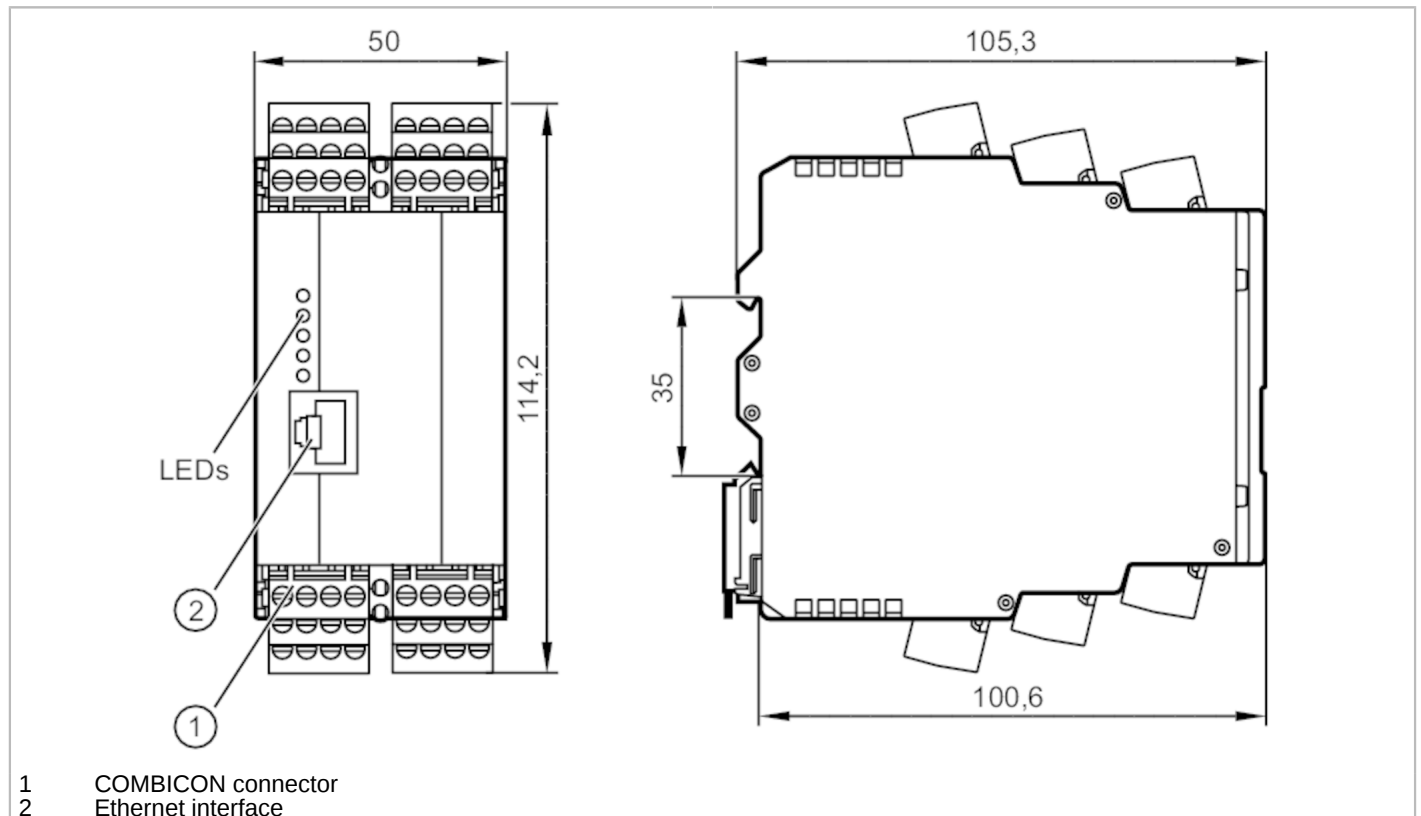


VSE101



Diagnostic electronics for vibration sensors

DIAGNOSTIC ELECTRONICS



Application	
Design	housing for DIN rail mounting, parameter setting via PC software, VES004
Application	continuous vibration monitoring
Electrical data	
Operating voltage tolerance [%]	20
Operating voltage [V]	24 DC; (when using the IEPE input: 24 V + 20%; IEPE = Integrated Electronics Piezo Electric)
Current consumption [mA]	200; (24 V DC)
Protection class	III
Inputs / outputs	
Total number of inputs and outputs	16; (parameterisable)
Multifunktionale Ein-/Ausgänge	
Digital	
Number	8
Connection	I/O1...I/O8
Digital input	Circuit HTL
Digital output	Electrical design PNP
	Output function normally open / normally closed (configurable)
Inputs	
Dynamic inputs	
Number	4



Diagnostic electronics for vibration sensors

DIAGNOSTIC ELECTRONICS

Connection	S1...S4	
Analogue input	function type	Current, dynamic
	input range	0...10 mA / IEPE / 4...20 mA
	input frequency [Hz]	0,1...12000
	Resolution	16 bit
	sampling rate	100 kSamples
Process value inputs, analogue / digital		
Number	2	
Connection	IN1 / U-IN1, IN2 / U-IN2	
Digital input	function type	pulse
	Circuit	HTL
	frequency [Hz]	0,1...100000
Analogue input	function type	Current
	input range [mA]	4...20
	Resolution	12 bit
Analogue input	function type	Voltage
	Connection	U-IN1, U-IN2
	input range [V]	0...10
	Resolution	12 bit
Outputs		
Max. load	[Ω]	500
Short-circuit protection		yes
Type of short-circuit protection		pulsed
Overload protection		yes
Multi-function outputs, analogue / digital		
Number	1	
Connection	OU1 / U-OUT	
Digital output	Electrical design	PNP
	Output function	normally open / normally closed (configurable)
Analogue output	function type	Current
	output range [mA]	4...20
Analogue output	function type	Voltage
	Connection	U-OUT
	output range [V]	0...10
Digital outputs		
Number	1	
Connection	OU2	
Digital output	Electrical design	PNP
	Output function	normally open / normally closed (configurable)
Interfaces		
Communication interface	Ethernet	
Number of Ethernet interfaces	1	
Ethernet		
Transmission standard	10Base-T; 100Base-TX	

VSE101



Diagnostic electronics for vibration sensors

DIAGNOSTIC ELECTRONICS

Transmission rate	10/100 MBit/s
Connector type	RJ45
Protocol	TCP/IP
Factory settings	IP address: 192.168.0.1 port 3321

Operating conditions

Ambient temperature	[°C]	0...70
Storage temperature	[°C]	0...70
Protection		IP 20

Tests / approvals

EMC	EN IEC 61000-6-2	
	EN IEC 61000-6-4	
MTTF	[years]	89
UL approval	Ta	70 °C
	Enclosure type	Type 1
	power supply	Limited Voltage/Current
	File number UL	E251902

Mechanical data

Weight	[g]	442.6
Type of mounting		mounting on DIN rail; (TH35 (EN 60715))
Dimensions	[mm]	114.2 x 50 x 105.3
Materials		Housing: PA

Data memories

History memory	yes
Data memory buffered	yes
Data memory type	ring memory; FIFO
Real-time clock	yes
Memory location	internal
Memory interval	min. 1 min
Memory size	881664 data records

Accessories

Accessories (optional)	cross-over Ethernet patch cable for the direct connection to the PC
------------------------	---

Remarks

Pack quantity	1 pcs.
---------------	--------



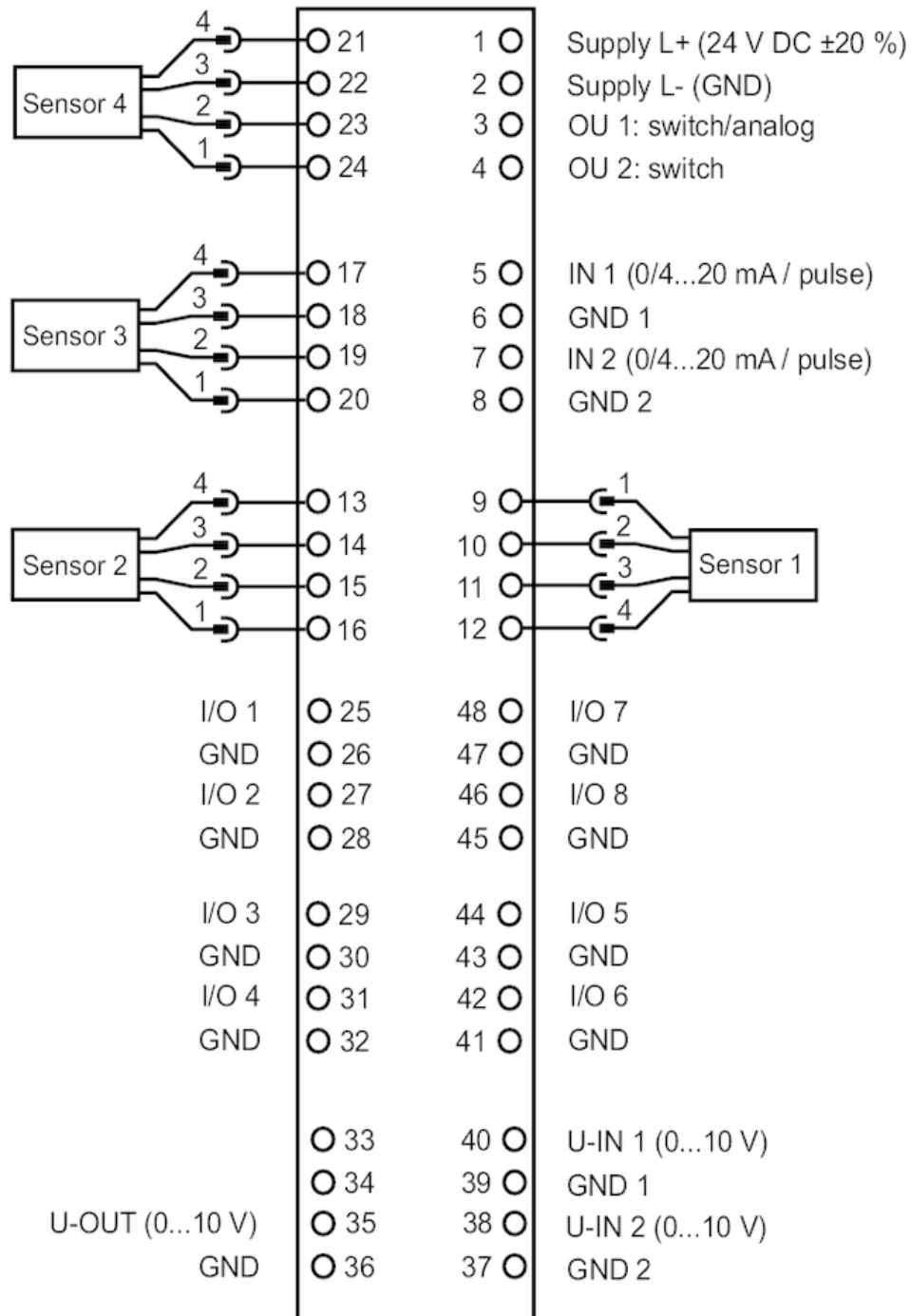
Diagnostic electronics for vibration sensors

DIAGNOSTIC ELECTRONICS

Electrical connection

COMBICON: ; Maximum cable length: 250 m

Connection



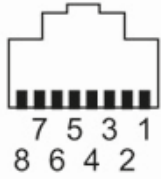


Diagnostic electronics for vibration sensors

DIAGNOSTIC ELECTRONICS

Electrical connection - Ethernet

Connector: RJ45



1	TxD +
2	TxD -
3	RxD +
4	n.c.
5	n.c.
6	RxD -
7	n.c.
8	n.c.