

## EOL - HYBRID FIELD-BUS COUPLERS

Conversion electrical-electrical (passive)

Art.No.: 67598

Weight: 0,170 kg

Country of origin: DE

Model designation: MSDD MHA-BBE-E passiv

CU, CU (female/female)

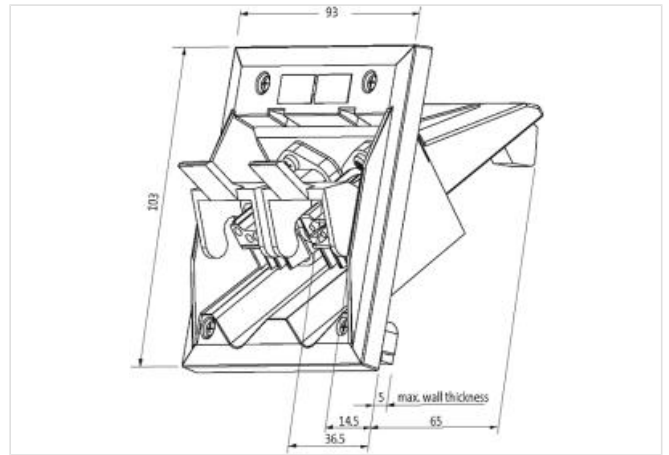
Han-Brid ® a registered trademark of HARTING KGaA.

### Link to Product

#### Illustration



Product may differ from Image



#### Commercial data

ECLASS-6.0	27189217
ECLASS-7.0	27189217
ECLASS-8.0	27189217
ECLASS-9.0	27189217
ETIM-5.0	EC002641
customs tariff number	85366990
EAN	4048879041492
Packaging unit	1

#### Electrical data | Supply

Operating voltage DC	24 V
----------------------	------

#### Industrial communication

Data transmission rate max.	12 MBit/s
-----------------------------	-----------

#### Installation

Connection cross-section solid max.	0,25 mm <sup>2</sup>
Connection cross-section stranded/fine-stranded max.	2,5 mm <sup>2</sup>

#### Installation | Connection

Connection	Spring clamp plug-in terminals
------------	--------------------------------

#### Device protection

The information in this Product-PDF has been compiled with the utmost care.

Liability for the correctness completeness and topicality of the information is restricted to gross negligence. Version: 2026-03-05

Murrelektronik Sp. z o.o. | al. Rożdżeńskie 188H | 40-203 Katowice | Fon +48 32 730 00 20 | Fax +48 32 730 00 23 | shop@murrelektronik.pl | shop.murrelektronik.pl

---

Shielded	no
----------	----

**Device protection | Media**

Flame resistance	flame retardant
------------------	-----------------

**Mechanical data | Material data**

Material housing	Plastic
------------------	---------

Color housing	black
---------------	-------

**Mechanical data | Mounting data**

Height cutout	90 mm
---------------	-------

Width cutout	80 mm
--------------	-------

Height	103 mm
--------	--------

Width	93 mm
-------	-------

Depth	65 mm
-------	-------

**Environmental characteristics | Climatic**

Operating temperature min.	-25 °C
----------------------------	--------

Operating temperature max.	50 °C
----------------------------	-------