

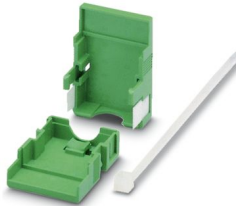
# KGG-MC 1,5/ 5 - Cable housing

1834372

<https://www.phoenixcontact.com/gb/products/1834372>

Please be informed that the data shown in this PDF document is generated from our online catalog. Please find the complete data in the user documentation. Our general terms of use for downloads are valid.

Cable housing, product range: KGG-MC 1,5, width: 14.5 mm



## Commercial data

|                                      |               |
|--------------------------------------|---------------|
| Item number                          | 1834372       |
| Packing unit                         | 10 pc         |
| Minimum order quantity               | 10 pc         |
| Sales key                            | AAHZDB        |
| Product key                          | AAHZDB        |
| GTIN                                 | 4017918051891 |
| Weight per piece (including packing) | 5.195 g       |
| Weight per piece (excluding packing) | 4.9 g         |
| Customs tariff number                | 39269097      |
| Country of origin                    | PL            |

# KGG-MC 1,5/ 5 - Cable housing

1834372

<https://www.phoenixcontact.com/gb/products/1834372>

## Technical data

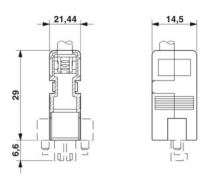
### Product properties

|                     |            |
|---------------------|------------|
| Product family      | KGG-MC 1,5 |
| Number of positions | 5          |
| Pitch               | 3.81 mm    |

### Material specifications

|  |    |
|--|----|
| Flammability rating according to UL 94 | HB |
|--|----|

### Dimensions

|                     |   |
|---------------------|---|
| Dimensional drawing |  |
| Width               | 14.5 mm   |
| Height              | 35.6 mm   |
| Pitch               | 3.81 mm   |

# KGG-MC 1,5/ 5 - Cable housing

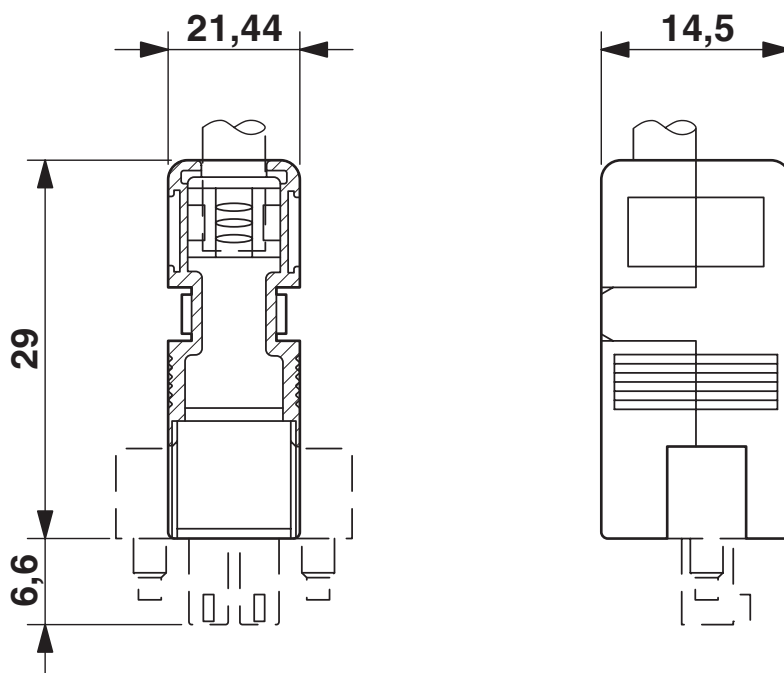
1834372

<https://www.phoenixcontact.com/gb/products/1834372>



## Drawings

Dimensional drawing



# KGG-MC 1,5/ 5 - Cable housing



1834372

<https://www.phoenixcontact.com/gb/products/1834372>

## Classifications

### ECLASS

|             |          |
|-------------|----------|
| ECLASS-13.0 | 27460402 |
| ECLASS-15.0 | 27460402 |

### ETIM

|           |          |
|-----------|----------|
| ETIM 10.0 | EC002943 |
|-----------|----------|

### UNSPSC

|             |          |
|-------------|----------|
| UNSPSC 21.0 | 39121400 |
|-------------|----------|

# KGG-MC 1,5/ 5 - Cable housing



1834372

<https://www.phoenixcontact.com/gb/products/1834372>

## Environmental product compliance

### EU RoHS

|   |                    |
|---|--------------------|
| Fulfills EU RoHS substance requirements | Yes, No exemptions |
|---|--------------------|

### China RoHS

|  |  |
|--|--|
| Environment friendly use period (EFUP) | EFUP-E                                   |
|  | No hazardous substances above the limits |

### EU REACH SVHC

|                                     |                            |
|-------------------------------------|----------------------------|
| REACH candidate substance (CAS No.) | No substance above 0.1 wt% |
|-------------------------------------|----------------------------|

### EF3.1 Climate Change

|         |               |
|---------|---------------|
| CO2e kg | 0.047 kg CO2e |
|---------|---------------|

Phoenix Contact 2026 © - all rights reserved  
<https://www.phoenixcontact.com>

PHOENIX CONTACT Ltd  
Halesfield 13, Telford  
Shropshire, TF7 4PG  
01952 681700  
[info@phoenixcontact.co.uk](mailto:info@phoenixcontact.co.uk)