

RIF-2-RPT-LDP-24DC/4X21 AU - Relay module



2908332

<https://www.phoenixcontact.com/gb/products/2908332>

Please be informed that the data shown in this PDF document is generated from our online catalog. Please find the complete data in the user documentation. Our general terms of use for downloads are valid.



Preassembled relay module with Push-in connection, consisting of: relay base, power contact relay with additional hard gold plating, and retaining bracket. Contact switching type: 4 changeover contacts. Input voltage: 24 V DC

Product description

The pluggable electromechanical and solid-state relays in the RIFLINE complete product range and the base are recognized and approved in accordance with UL 508. The relevant approvals can be called up at the individual components in question.

Commercial data

| | |
|--------------------------------------|---------------|
| Item number | 2908332 |
| Packing unit | 10 pc |
| Minimum order quantity | 10 pc |
| Sales key | DK652I |
| Product key | DK652I |
| GTIN | 4055626293011 |
| Weight per piece (including packing) | 106.9 g |
| Weight per piece (excluding packing) | 104.61 g |
| Customs tariff number | 85364110 |
| Country of origin | PL |

RIF-2-RPT-LDP-24DC/4X21 AU - Relay module



2908332

<https://www.phoenixcontact.com/gb/products/2908332>

Set consists of

RIF-2-BPT/4X21 - Relay base

2900934

<https://www.phoenixcontact.com/gb/products/2900934>



Relay base RIF-2..., for industrial relay with 2 or 4 changeover contacts, Push-in connection, plug-in option for input/interference suppression modules, for mounting on NS 35/7,5

REL-IR4/LDP- 24DC/4X21AU - Single relay

2903670

<https://www.phoenixcontact.com/gb/products/2903670>



Plug-in industrial relay with power contacts and additional hard gold plating, 4 changeover contacts, test button, status LED, freewheeling diode, mechanical switching position indicator, polarity: A1+, A2-, coil voltage: 24 V DC

RIF-2-RPT-LDP-24DC/4X21 AU - Relay module



2908332

<https://www.phoenixcontact.com/gb/products/2908332>

RIF-RH-2 - Retaining bracket

2900954

<https://www.phoenixcontact.com/gb/products/2900954>



Relay retaining bracket, with ejector function and holder for marking material, suitable for RIF-2 relay base, for industrial relay

Technical data

Product properties

| | |
|-------------------------|--------------------------------|
| Product family | RIFLINE complete |
| Application | Universal |
| Operating mode | 100% operating factor |
| Mechanical service life | approx. 2×10^7 cycles |

Insulation characteristics

| | |
|----------------------|------------------|
| Insulation | Basic insulation |
| Overvoltage category | II |
| Pollution degree | 2 |

Data management status

| | |
|------------------------------|------------|
| Date of last data management | 20.01.2026 |
|------------------------------|------------|

Electrical properties

| | |
|---|--|
| Maximum power dissipation for nominal condition | 1.01 W |
| Test voltage (Winding/contact) | 2.5 kV _{rms} (50 Hz, 1 min., winding/contact) |
| Test voltage (Contact/contact) | 2 kV _{rms} (50 Hz, 1 min., contact/contact) |
| Rated insulation voltage | 250 V AC |
| Rated surge voltage | 2.5 kV |

Input data

Coil side

| | |
|---|-------------------------------|
| Nominal input voltage U_N | 24 V DC |
| Input voltage range | 19.2 V DC ... 30 V DC (20 °C) |
| Input voltage range in reference to U_N | see diagram |
| Drive and function | monostable |
| Drive (polarity) | polarized |
| Typical input current at U_N | 42 mA |
| Typical response time | 13 ms |
| Typical release time | 14 ms |
| Protective circuit | Freewheeling diode |
| Status display | LED (yellow) |

Output data

Switching

| | |
|------------------------|--|
| Contact switching type | 4 changeover contacts |
| Type of switch contact | Single contact |
| Contact material | AgNi, hard gold-plated |
| Note | If the specified maximum values for multi-layer contact relays are exceeded, the gold plating is destroyed. The maximum values of the power contact relay are then valid. This can result in a shorter |

RIF-2-RPT-LDP-24DC/4X21 AU - Relay module



2908332

<https://www.phoenixcontact.com/gb/products/2908332>

| | |
|---------------------------------------|--|
| | service life than with a pure power contact. |
| Maximum switching voltage | 30 V AC |
| | 36 V DC |
| Minimum switching voltage | 2 V (24 mA) |
| Limiting continuous current | 50 mA |
| Maximum inrush current | 50 mA |
| Min. switching current | 2 mA (24 V) |
| Interrupting rating (ohmic load) max. | 1.2 W (at 24 V DC) |
| Switching power min. | 48 mW |

Switching: when the gold layer is destroyed

| | |
|---------------------------------------|--|
| Note | the following values are applicable if a gold layer is destroyed |
| Contact material | AgNi |
| Maximum switching voltage | 250 V AC/DC |
| Minimum switching voltage | 5 V (At 24 mA) |
| Limiting continuous current | 6 A |
| Maximum inrush current | 16 A (20 ms, N/O contacts) |
| Min. switching current | 5 mA (at 24 V) |
| Interrupting rating (ohmic load) max. | 144 W (at 24 V DC) |
| | 124 W (at 48 V DC) |
| | 108 W (at 60 V DC) |
| | 52 W (at 110 V DC) |
| | 48 W (at 220 V DC) |
| | 1500 VA (for 250 V AC) |
| Switching capacity | 2 A (at 24 V, DC13) |
| | 0.22 A (at 120 V, DC13) |
| | 0.11 A (at 250 V, DC13) |
| | 1.5 A (at 24 V, AC15) |
| | 1.5 A (at 120 V, AC15) |
| | 1 A (at 240 V, AC15) |

Connection data

| | |
|----------------------------------|---|
| Connection method | Push-in connection |
| Stripping length | 8 mm |
| Conductor cross-section rigid | 0.14 mm ² ... 1.5 mm ² |
| Conductor cross-section flexible | 0.14 mm ² ... 1.5 mm ² |
| | 0.14 mm ² ... 1.5 mm ² (Ferrule with plastic sleeve) |
| | 0.14 mm ² ... 1 mm ² (Ferrule with plastic sleeve, two conductors on double terminal block) |
| Conductor cross-section AWG | 26 ... 16 (solid) |
| | 26 ... 16 (flexible) |

Dimensions

RIF-2-RPT-LDP-24DC/4X21 AU - Relay module



2908332

<https://www.phoenixcontact.com/gb/products/2908332>

Item dimensions

| | |
|--------|-------|
| Width | 31 mm |
| Height | 96 mm |
| Depth | 75 mm |

Drill hole

| | |
|----------|--------|
| Diameter | 3.2 mm |
|----------|--------|

Material specifications

| | |
|--|-----------------|
| Color | gray (RAL 7042) |
| Flammability rating according to UL 94 (Housing) | V2 (Housing) |

Environmental and real-life conditions

Ambient conditions

| | |
|---|-------------------|
| Degree of protection (Relay base) | IP20 (Relay base) |
| Degree of protection (Relay) | RT I (Relay) |
| Ambient temperature (operation) | -40 °C ... 60 °C |
| Ambient temperature (storage/transport) | -40 °C ... 85 °C |

Approvals

Corrosive gas test

| | |
|----------------|----------------------------|
| Identification | ISA-S71.04. G3 Harsh Group |
| | EN 60068-2-60 |

Standards and regulations

| | |
|-----------------------|---------------|
| Standards/regulations | IEC 60947-5-1 |
|-----------------------|---------------|

Mounting

| | |
|-------------------|---------------------------|
| Mounting type | DIN rail mounting |
| Assembly note | in rows with zero spacing |
| Mounting position | any |

Drawings

Diagram



- ① DC coil (observe contact derating)
- ② AC coil (observe contact derating)

Operating voltage range

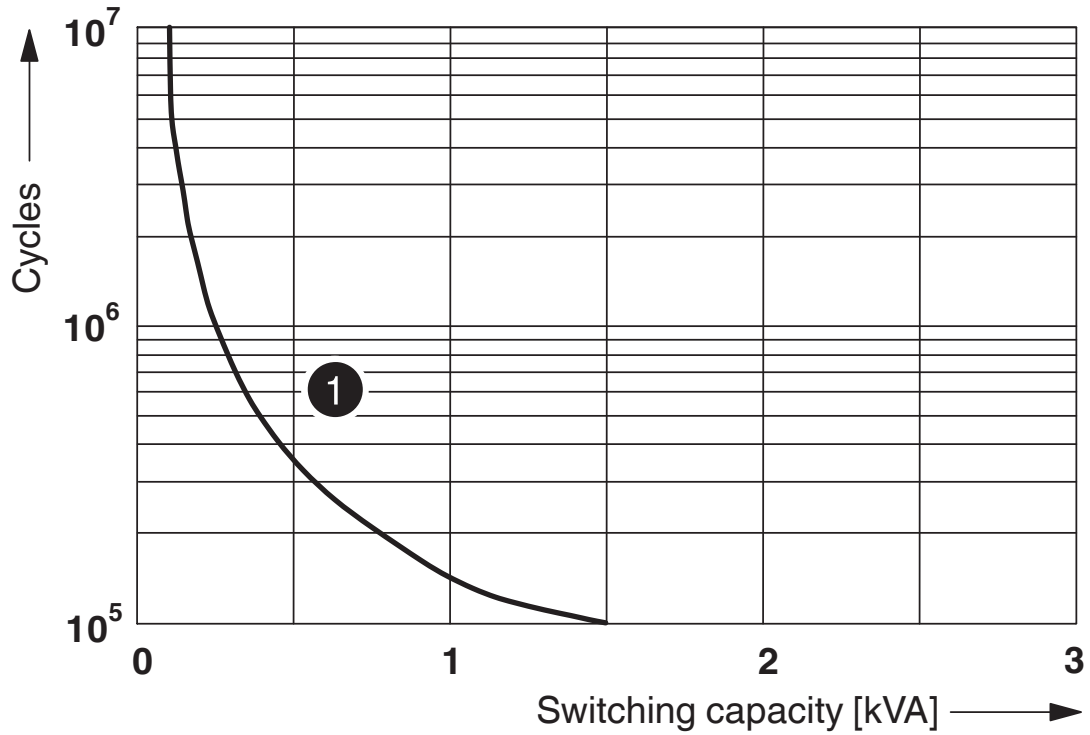
Diagram



- ① AC, ohmic load
- ② DC, ohmic load

Interrupting rating

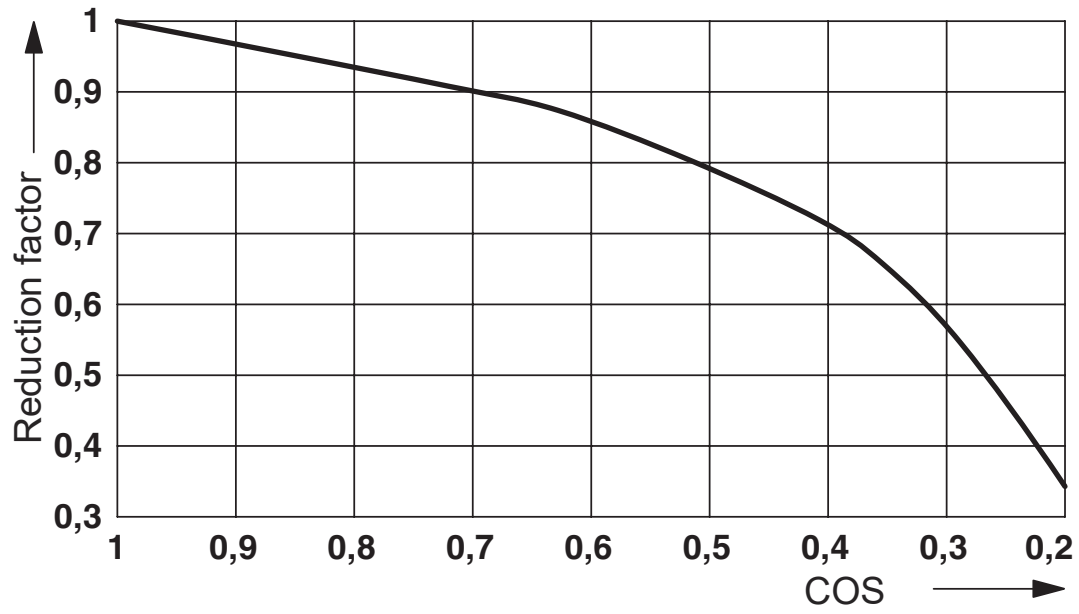
Diagram



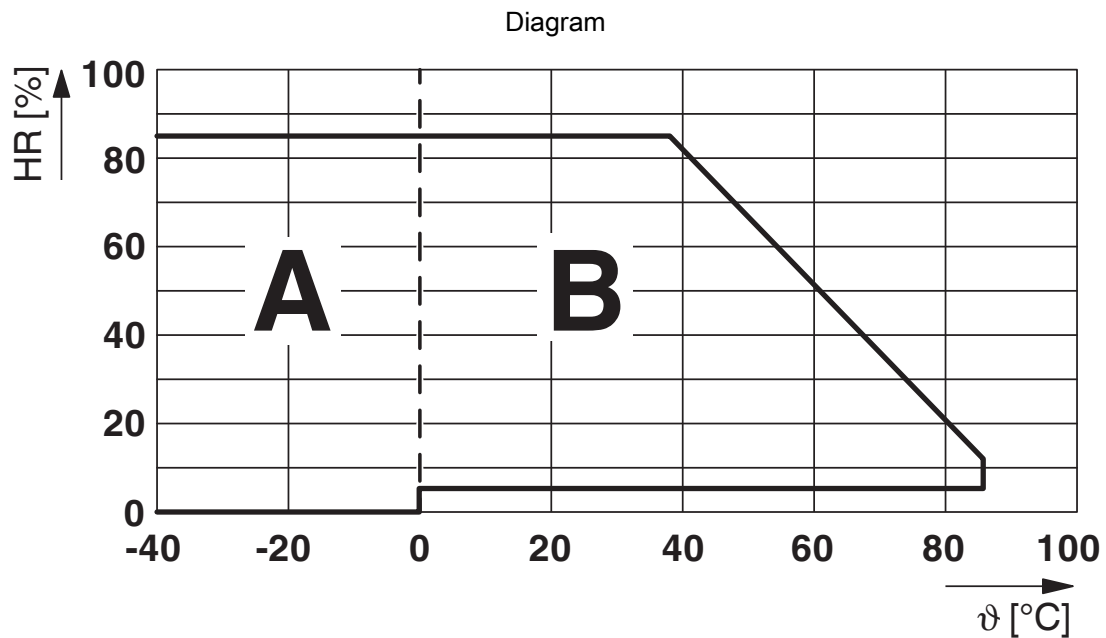
① 250 V AC, Ohmic load

Electrical service life

Diagram



Service life reduction factor



Permissible humidity for operation and storage.

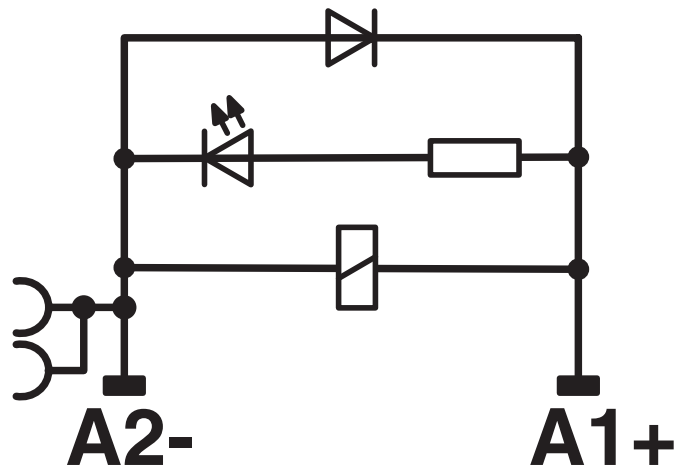
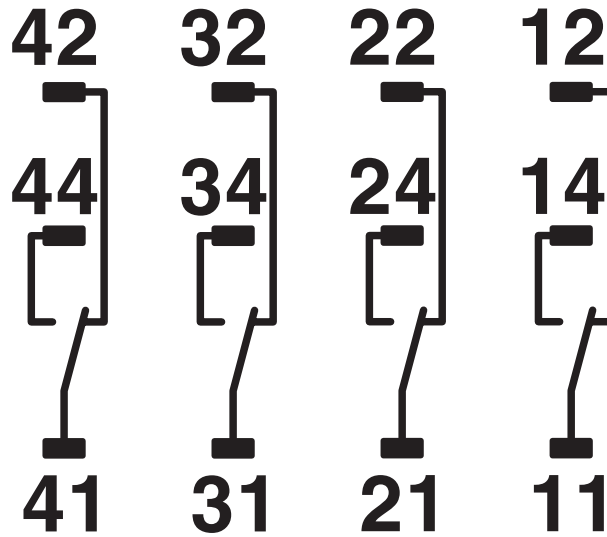
The maximum permissible ambient temperature as specified in the data sheet must be observed.

Area A: Ice buildup at ambient temperatures $\leq 0^\circ\text{C}$ must be prevented

Area B: Condensation at ambient temperatures $> 0^\circ\text{C}$ must be prevented

On 30 full days that are naturally distributed across an entire year, a humidity level of 95% is permissible at an ambient temperature $\leq 25^\circ\text{C}$.

Circuit diagram



RIF-2-RPT-LDP-24DC/4X21 AU - Relay module



2908332

<https://www.phoenixcontact.com/gb/products/2908332>

Approvals

To download certificates, visit the product detail page: <https://www.phoenixcontact.com/gb/products/2908332>



EAC

Approval ID: RU*C-DE.*08.B.00010

DNV

Approval ID: TAA000018V

2908332

<https://www.phoenixcontact.com/gb/products/2908332>

Classifications

ECLASS

| | |
|-------------|----------|
| ECLASS-13.0 | 27371601 |
| ECLASS-15.0 | 27371601 |

ETIM

| | |
|-----------|----------|
| ETIM 10.0 | EC001437 |
|-----------|----------|

UNSPSC

| | |
|-------------|----------|
| UNSPSC 21.0 | 39122300 |
|-------------|----------|

RIF-2-RPT-LDP-24DC/4X21 AU - Relay module



2908332

<https://www.phoenixcontact.com/gb/products/2908332>

Environmental product compliance

EU RoHS

| | |
|---|--------------------|
| Fulfills EU RoHS substance requirements | Yes, No exemptions |
|---|--------------------|

China RoHS

| | |
|--|--|
| Environment friendly use period (EFUP) | EFUP-E |
| | No hazardous substances above the limits |

EU REACH SVHC

| | |
|-------------------------------------|----------------------------|
| REACH candidate substance (CAS No.) | No substance above 0.1 wt% |
|-------------------------------------|----------------------------|

Phoenix Contact 2026 © - all rights reserved
<https://www.phoenixcontact.com>

PHOENIX CONTACT Ltd
Halesfield 13, Telford
Shropshire, TF7 4PG
01952 681700
info@phoenixcontact.co.uk