

AXL F BK PN TPS XC - Bus coupler



1068857

<https://www.phoenixcontact.com/gb/products/1068857>

Please be informed that the data shown in this PDF document is generated from our online catalog. Please find the complete data in the user documentation. Our general terms of use for downloads are valid.



Axioline F, Bus coupler, PROFINET, RJ45 jack, Extreme conditions version, transmission speed in the local bus: 100 Mbps, degree of protection: IP20, including bus base module and Axioline F connector

Product description

The bus coupler is intended for use within a PROFINET network. The bus coupler creates the link to the Axioline F I/O system and the industrial I/O signals connected to it. Up to 63 Axioline F devices can be connected to the bus coupler. Device descriptions for Phoenix Contact controllers are integral parts of the engineering tools PC Worx and PLCnext Engineer. Corresponding GSDML files are available for integrating the Axioline F station into other programming systems. These files can be downloaded at: www.phoenixcontact.com/product/1068857

Your advantages

- 2 Ethernet ports (with integrated switch)
- Conformance with PROFINET specification V2.3
- Supports PROFI-safe
- Supports PROFI-energy
- Supports PROFINET S2 system redundancy (firmware version 1.30 or later)
- PROFINET RT and IRT
- Minimum cycle time of PROFINET for RT and IRT is 250 μ s
- Firmware can be updated
- Runtime in bus coupler is negligible (almost 0 μ s)
- Typical cycle time of the Axioline F local bus is around 10 μ s
- Web-based management
- Supports the operation of Axioline Smart Elements
- Supports passive Smart Elements (firmware version 1.30 or later)
- Supports IOL-CONF (firmware version 1.30 and later)
- Supports Diag+
- Safe analog value processing with SAFE AI and other components
- Can be used under extreme ambient conditions
- Extended temperature range of -40 °C ... +70 °C (see "Tested successfully: use under extreme ambient conditions" in the data sheet)
- Partially coated PCBs

Commercial data

Item number	1068857
Packing unit	1 pc
Minimum order quantity	1 pc
Sales key	DRI21A

AXL F BK PN TPS XC - Bus coupler



1068857

<https://www.phoenixcontact.com/gb/products/1068857>

Product key	DRI21A
GTIN	4055626743653
Weight per piece (including packing)	233.3 g
Weight per piece (excluding packing)	222.6 g
Country of origin	DE

AXL F BK PN TPS XC - Bus coupler



1068857

<https://www.phoenixcontact.com/gb/products/1068857>

Technical data

Dimensions

Dimensional drawing	
Width	45 mm
Height	126.93 mm
Depth	75 mm
Note on dimensions	The depth applies when a TH 35-7.5 DIN rail is used (in accordance with EN 60715).

Notes

Note on application	
Note on application	Only for industrial use

Interfaces

Supported protocols	PROFINET
	TFTP
	PTCP
	LLDP
	SNMP
	MRP
	DCP
	DDI
	BootP (BootP only to perform firmware updates)

PROFINET

Number of interfaces	2
Connection method	RJ45 jack
Note on the connection method	Auto negotiation and autocrossing
Transmission speed	100 Mbps (full duplex)
Transmission physics	Ethernet in RJ45 twisted pair

Axioline F local bus

Number of interfaces	1
Connection method	Bus base module
Transmission speed	100 Mbps

Service

Number of interfaces	1
----------------------	---

AXL F BK PN TPS XC - Bus coupler



1068857

<https://www.phoenixcontact.com/gb/products/1068857>

Connection method	USB type C
-------------------	------------

System properties

System limits

Number of supported devices	max. 63 (per station)
Number of local bus devices that can be connected	max. 63

PROFINET

Device function	PROFINET device
Specification	Version 2.3
Conformance Class	Conformance Class C
Device ID	1000 _{hex}
Vendor ID	00B0 _{hex}

Product properties

Product family	Axioline F
Type	block modular
Mounting position	any
Scope of supply	including bus base module and Axioline F connector
Special properties	Extreme conditions version

Insulation characteristics

Overvoltage category	II (IEC 60664-1, EN 60664-1)
Pollution degree	2 (IEC 60664-1, EN 60664-1)

Electrical properties

Maximum power dissipation for nominal condition	6.55 W
---	--------

Potentials: Communications power U_L feed-in (the supply of the Axioline F local bus U_{BUS} is generated from U_L)

Supply voltage	24 V DC
Supply voltage range	19.2 V DC ... 30 V DC (including all tolerances, including ripple)
Current draw	max. 690 mA (2.0 A on U_{BUS} , $U_L = 24$ V)
Protective circuit	Surge protection; electronic Reverse polarity protection; electronic

Potentials: Axioline F local bus supply (U_{BUS})

Supply voltage	5 V DC (via bus base module)
Power supply unit	max. 2 A

Electrical isolation/isolation of the voltage ranges

Test voltage: PROFINET interface 1 / PROFINET interface 2	1500 V AC, 50 Hz, 1 min
Test voltage: PROFINET interface 1 / 24 V communications voltage (U_L) feed-in	1500 V AC, 50 Hz, 1 min
Test voltage: PROFINET interface 2 / 24 V communications voltage (U_L) feed-in	1500 V AC, 50 Hz, 1 min
Test voltage: PROFINET interface 1 / functional ground	1500 V AC, 50 Hz, 1 min
Test voltage: PROFINET interface 2 / functional ground	1500 V AC, 50 Hz, 1 min

AXL F BK PN TPS XC - Bus coupler



1068857

<https://www.phoenixcontact.com/gb/products/1068857>

Test voltage: 24 V communications voltage (U_L) feed-in / functional ground	500 V AC, 50 Hz, 1 min
---	------------------------

Connection data

Connection technology

Connection name	Axioline F connector
Note on the connection method	Please observe the information provided on conductor cross-sections in the "Axioline F: system and installation" user manual.

Axioline F connector

Connection method	Push-in connection
Note on the connection method	Please observe the information provided on conductor cross-sections in the "Axioline F: system and installation" user manual.
Conductor cross-section, rigid	0.2 mm ² ... 1.5 mm ²
Conductor cross-section, flexible	0.2 mm ² ... 1.5 mm ²
Conductor cross-section AWG	24 ... 16
Stripping length	8 mm

Environmental and real-life conditions

Ambient conditions

Ambient temperature (operation)	-25 °C ... 60 °C (Standard, applications with UL approval, use in zone 2 potentially explosive area) -40 °C ... 70 °C (Extended, see section "Tested successfully: use under extreme ambient conditions" in the data sheet.)
Degree of protection	IP20
Air pressure (operation)	70 kPa ... 106 kPa (up to 3000 m above sea level)
Air pressure (storage/transport)	70 kPa ... 106 kPa (up to 3000 m above sea level)
Ambient temperature (storage/transport)	-40 °C ... 85 °C
Permissible humidity (operation)	5 % ... 95 % (non-condensing)
Permissible humidity (storage/transport)	5 % ... 95 % (non-condensing)

Test (noxious gas)

Test standard	ISA-71.04-2013 G3 Harsh Group A IEC 60068-2-60:2015 Method 4
Temperature	25 °C ±1 K
Humidity (relative)	75 % ±3 %
Test duration	21 Days
Volume concentration H ₂ S (Hydrogen sulfide)	50 ppb
Volume concentration NO ₂ (Nitrogen dioxide)	1250 ppb
Volume concentration Cl ₂ (Chlorine)	10 ppb
Volume concentration SO ₂ (Sulfur dioxide)	300 ppb

Standards and regulations

Protection class	III (IEC 61140, EN 61140, VDE 0140-1)
------------------	---------------------------------------

Approvals

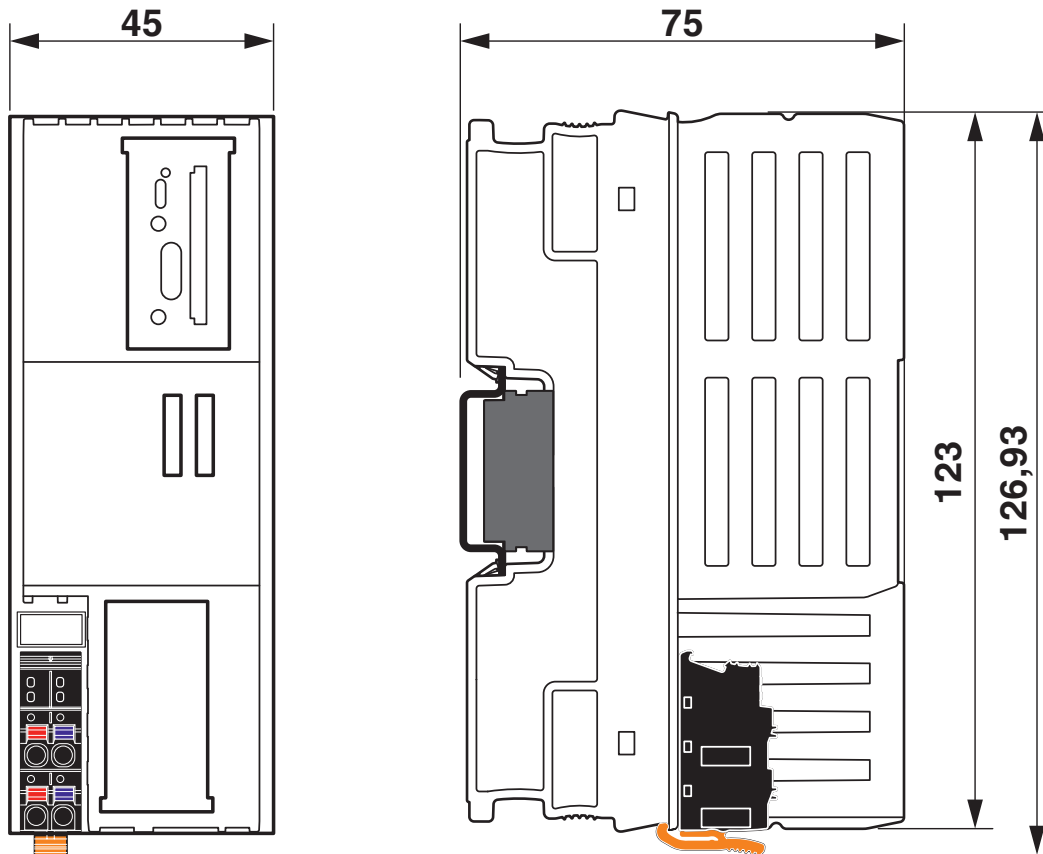
AXL F BK PN TPS XC - Bus coupler

1068857

<https://www.phoenixcontact.com/gb/products/1068857>

Drawings

Dimensional drawing



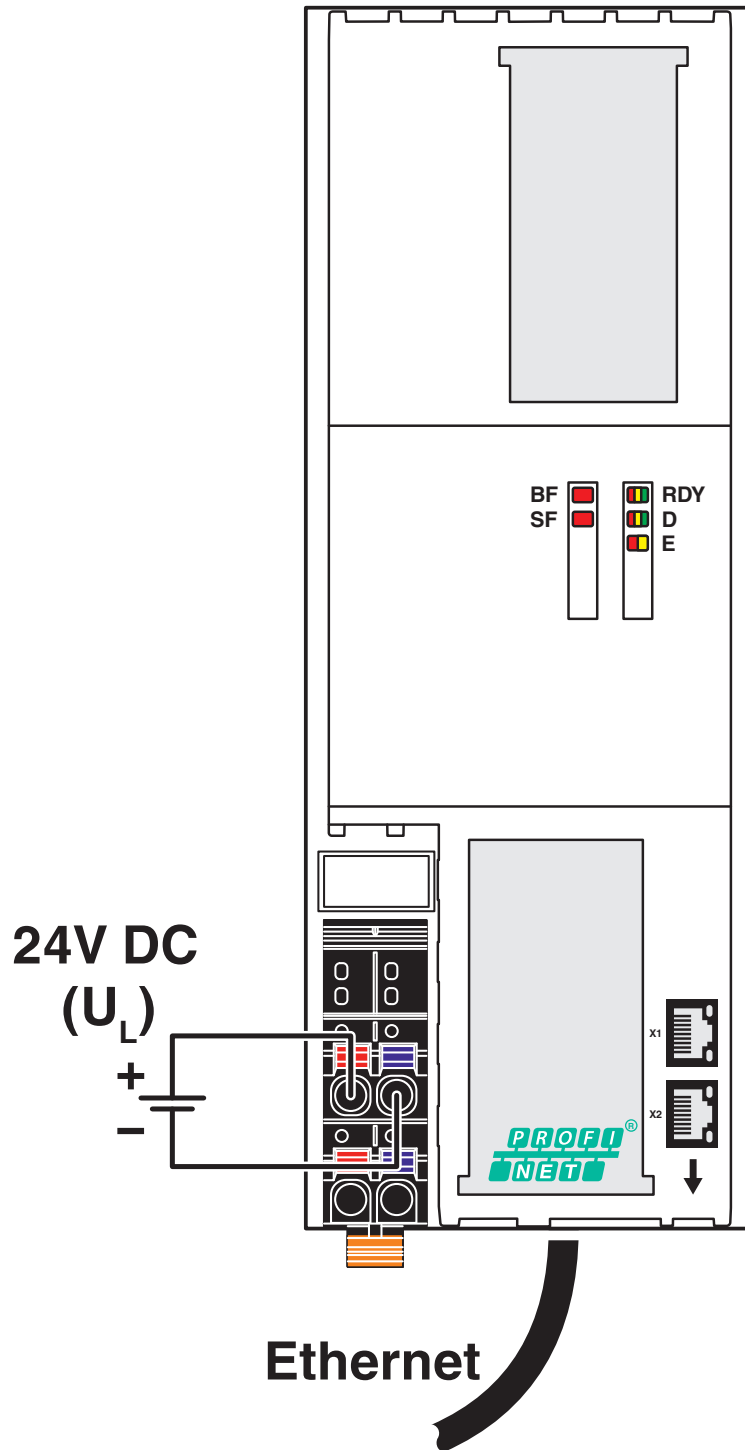
AXL F BK PN TPS XC - Bus coupler

1068857

<https://www.phoenixcontact.com/gb/products/1068857>



Connection diagram



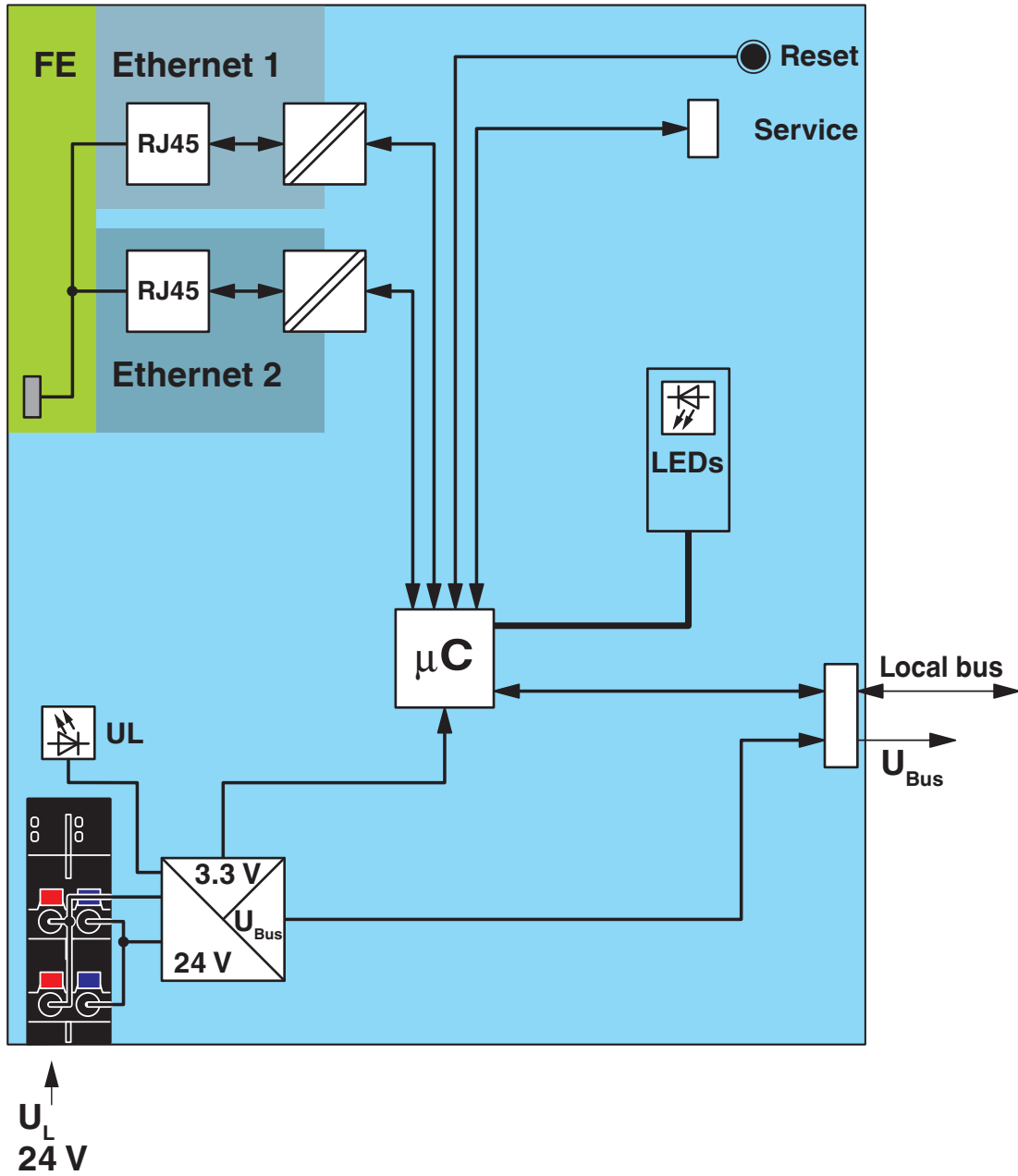
Connection of the cables

AXL F BK PN TPS XC - Bus coupler

1068857

<https://www.phoenixcontact.com/gb/products/1068857>

Block diagram



Internal wiring of the terminal points

AXL F BK PN TPS XC - Bus coupler



1068857

<https://www.phoenixcontact.com/gb/products/1068857>

Approvals

To download certificates, visit the product detail page: <https://www.phoenixcontact.com/gb/products/1068857>

PROFINET

Approval ID: Z12931



cULus Listed

Approval ID: E238705

FS Thermoprocess

Approval ID: 968 INS 799.01 25



IECEx

Approval ID: IECEx ULD 20.0026X



ATEX

Approval ID: UL 20 ATEX 2441X



cULus Listed

Approval ID: E366272



CCC

Approval ID: 2021122309114456_CN

AXL F BK PN TPS XC - Bus coupler



1068857

<https://www.phoenixcontact.com/gb/products/1068857>

Classifications

ECLASS

ECLASS-13.0	27242608
ECLASS-15.0	27242608

ETIM

ETIM 10.0	EC001604
-----------	----------

UNSPSC

UNSPSC 21.0	32151600
-------------	----------

AXL F BK PN TPS XC - Bus coupler



1068857

<https://www.phoenixcontact.com/gb/products/1068857>

Environmental product compliance

EU RoHS

Fulfills EU RoHS substance requirements	Yes
Exemption	7(a), 7(c)-I

China RoHS

Environment friendly use period (EFUP)	EFUP-50
	An article-related China RoHS declaration table can be found in the download area for the respective article under "Manufacturer declaration". For all articles with EFUP-E, no China RoHS declaration table issued and required.

EU REACH SVHC

REACH candidate substance (CAS No.)	Lead(CAS: 7439-92-1)
SCIP	87c41dff-7e00-4fb3-96db-27ccec1a455b

Phoenix Contact 2026 © - all rights reserved

<https://www.phoenixcontact.com>

PHOENIX CONTACT Ltd
Halesfield 13, Telford
Shropshire, TF7 4PG
01952 681700
info@phoenixcontact.co.uk