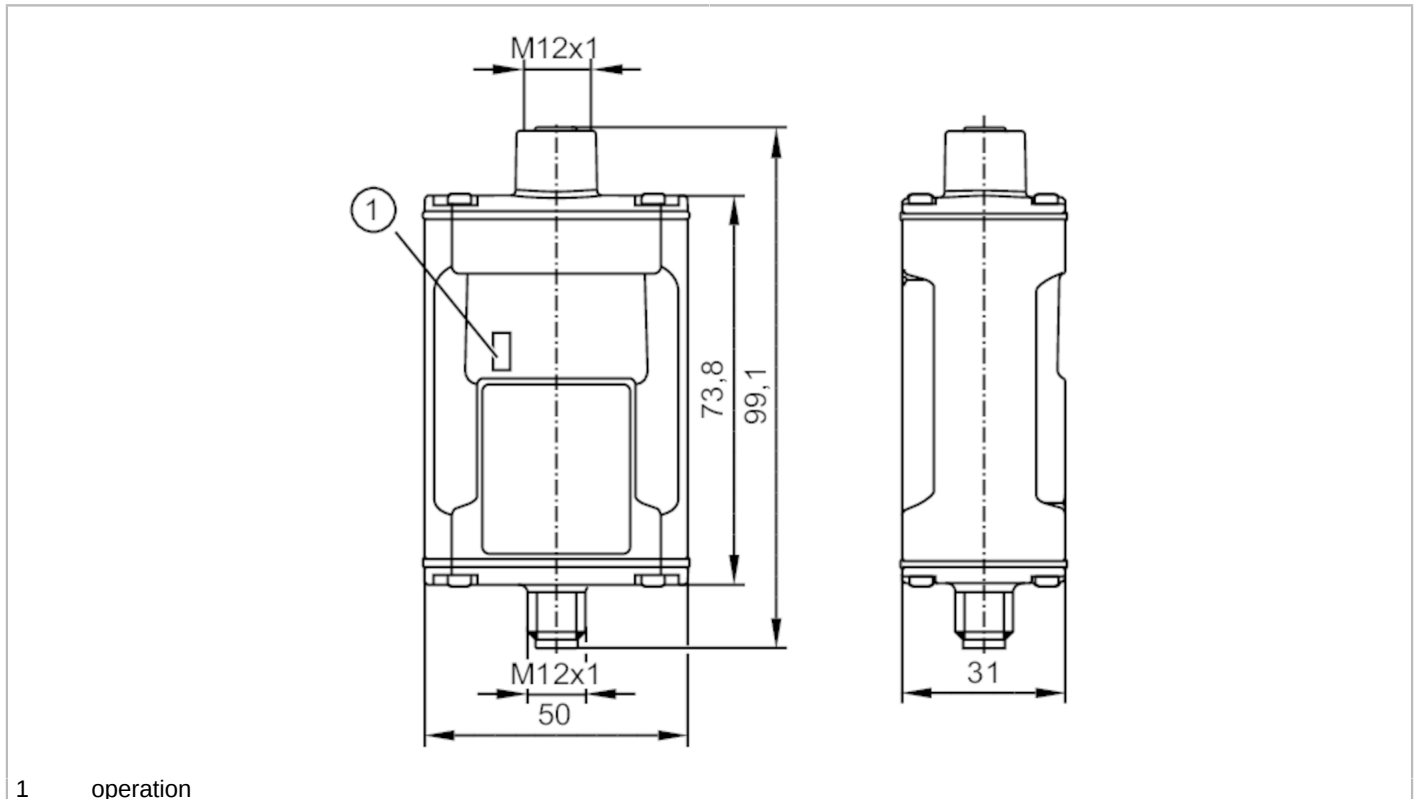


DP1615



Control unit for RGBW LED light bars

Controller RGBW-LED IP67



1 operation



Electrical data	
Operating voltage	[V] 21.6...26.4 DC; (to SELV/PELV)
Nominal voltage DC	[V] 24
Current consumption	[mA] < 1230
Max. current load total	[A] 1.2
Inputs / outputs	
Number of inputs and outputs	Number of digital inputs: 3; Number of digital outputs: 4
Inputs	
Number of digital inputs	3
Switching level high	[V] 11...26.4
Switching level low	[V] 0...5
Outputs	
Output signal	switching signal
Number of digital outputs	4
Max. current load per output	[mA] 400; 640; (400 mA: red; green; blue; 640 mA: white)
Max. current load outputs total	[A] 1.2
Short-circuit proof	yes
Interfaces	
Communication interface	IO-Link
Transmission type	COM2 (38,4 kBaud)
IO-Link revision	1.1

DP1615



Control unit for RGBW LED light bars

Controller RGBW-LED IP67

SDCI standard	IEC 61131-9	
Profiles	Common - I&D	Identification and Diagnosis
SIO mode	yes	
Required master port type	A	
Min. process cycle time [ms]	4.2	
Supported DeviceIDs	Type of operation	DeviceID
Note	default	1474
For further information please see the IODD PDF file under "Downloads"		
Operating conditions		
Ambient temperature [°C]	-25...60	
Storage temperature [°C]	-25...60	
Max. relative air humidity [%]	90; (linearly decreasing to 50 % (40 °C); non condensing)	
Max. height above sea level [m]	2000	
Protection	IP 65; IP 67	
Pollution degree	2	
Tests / approvals		
EMC	IEC61131-2	
MTTF [years]	291	
Mechanical data		
Weight [g]	130.2	
Weight (without accessories and packaging) [g]	0.001	
Housing	rectangular	
Dimensions [mm]	99.1 x 50 x 31	
Materials	housing: PA; cover: PA; Sealing cover: TPE	
Sealing material	FKM	
Displays / operating elements		
Display	operation	LED, green
Accessories		
Accessories (optional)	mounting clip, E89209	
Remarks		
Remarks	Please observe the permissible voltage ranges of the connected devices, as these may differ from the IO-Link specification. For further information please see the operating instructions. the device complies with overvoltage category II	
Pack quantity	1 pcs.	

DP1615

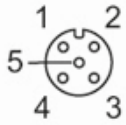


Control unit for RGBW LED light bars

Controller RGBW-LED IP67

Electrical connection - socket

Connector: 1 x M12; coding: A; Sealing: FKM



1 OUT1	DO1 LED red
2 OUT2	DO2 LED green
3 L-	GND
4 OUT3	DO3 LED white
5 OUT4	DO4 LED blue

Electrical connection - plug

Connector: 1 x M12; coding: A



IO-Link operation

1 L+	
2 L+	
3 L-	GND
4 C/Q	

SIO operation

1 IN1 / L+	DI1 / supply voltage Setting C
2 IN2 / L+	DI2 / supply voltage Setting B
3 L-	GND
4 IN3 / L+	DI3 / supply voltage Setting A