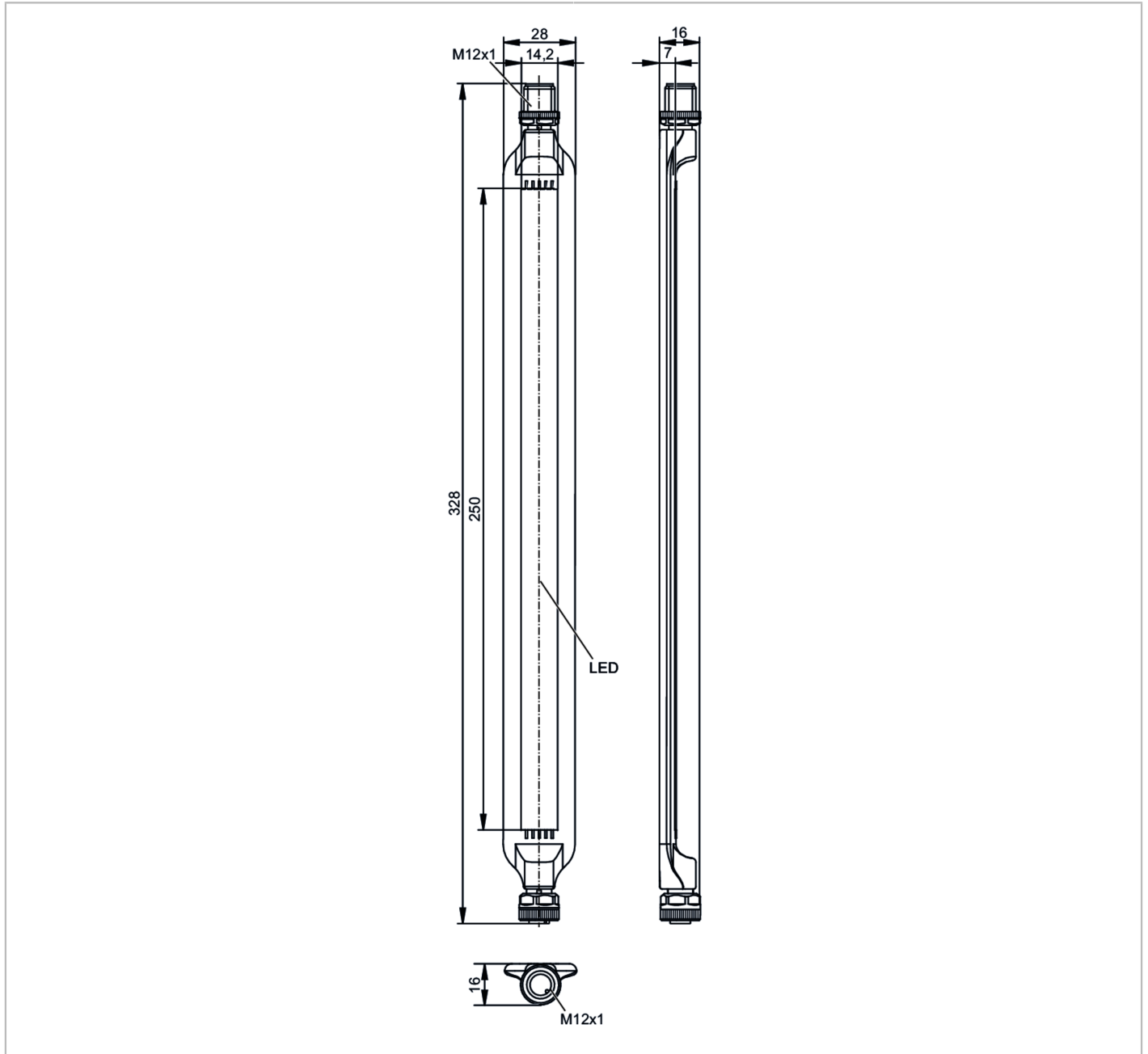


DV3011



Machine light

LED-Light-RGBW/ 250L 24C/CHCH/T



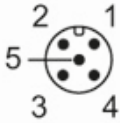
| Application | |
|-------------------------------|---|
| Special feature | Gold-plated contacts |
| Application | illumination and signalling of machine conditions |
| Electrical data | |
| Operating voltage [V] | 21.6...26.4 DC |
| Nominal voltage DC [V] | 24; (to SELV/PELV) |
| Max. current consumption [mA] | 300; (red: 43; green: 43; blue: 43; white: 172) |
| Colour temperature [K] | 4000 |
| Luminous flux [lm] | red: 40; green: 90; blue: 18; white: 450 |
| Typ. lifetime [h] | 65000 |

DV3011



Machine light

LED-Light-RGBW/ 250L 24C/CHCH/T

| Inputs | | |
|--|-------------------------------|--|
| Input circuit of digital inputs | | 24 V PNP |
| Operating conditions | | |
| Ambient temperature | [°C] | -20...45 |
| Max. relative air humidity | [%] | 90 |
| Max. height above sea level | [m] | 4000 |
| Protection | | IP 68; IP 69K |
| Pollution degree | | 2 |
| Tests / approvals | | |
| Approval | | IEC 62471; IEC 62031; IEC 60598; IEC 61000-6-2 |
| MTTF | [years] | 744 |
| Mechanical data | | |
| Weight | [g] | 111.75 |
| Dimensions | [mm] | 302 x 28 x 16 |
| Materials | | housing: TPU / PA grey |
| Displays / operating elements | | |
| Display | Illumination | LED, white |
| | signalling machine conditions | LED, multi-colour RGB |
| Remarks | | |
| Pack quantity | | 1 pcs. |
| Electrical connection - plug | | |
| Connector: 1 x M12, straight; coding: A; Locking: brass, nickel-plated; Contacts: gold-plated; Tightening torque: 0.6...1.5 Nm | | |
|  | | |
| 1 | L+ | (red) |
| 2 | L+ | (green) |
| 3 | L- | |
| 4 | L+ | (white) |
| 5 | L+ | (blue) |

DV3011



Machine light

LED-Light-RGBW/ 250L 24C/CHCH/T

Electrical connection - socket

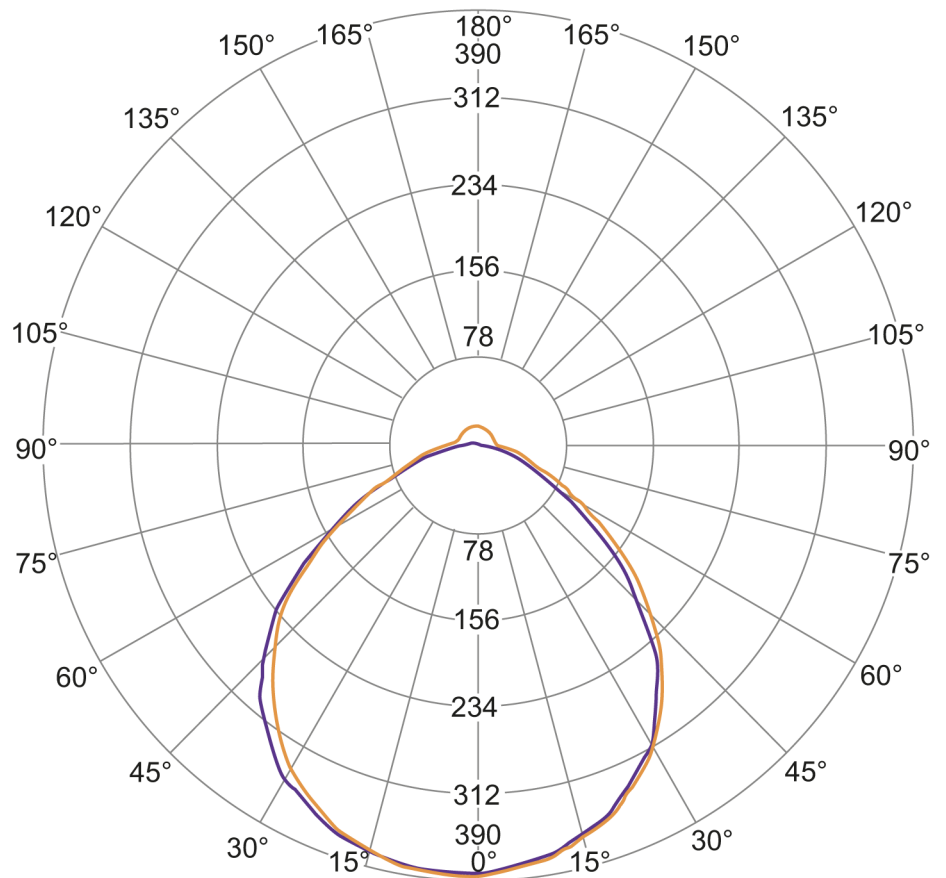
Connector: 1 x M12, straight; coding: A; Locking: brass, nickel-plated; Contacts: gold-plated; Take into account the maximum value of the counterpart!



| | | |
|---|----|---------|
| 1 | L+ | (red) |
| 2 | L+ | (green) |
| 3 | L- | |
| 4 | L+ | (white) |
| 5 | L+ | (blue) |

Diagrams and graphs

light intensity distribution curve



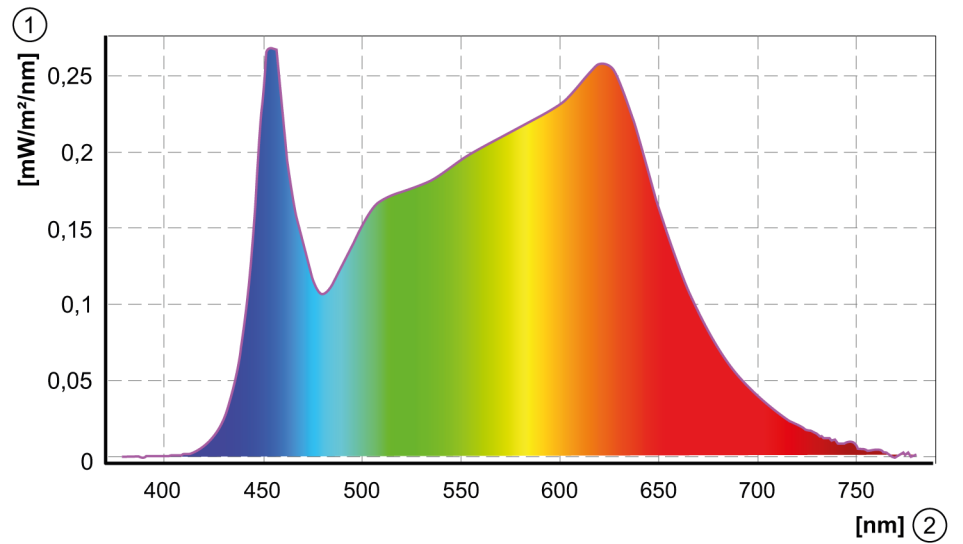
DV3011

Machine light

LED-Light-RGBW/ 250L 24C/CHCH/T



light spectrum



- 1 brightness
- 2 Wave length