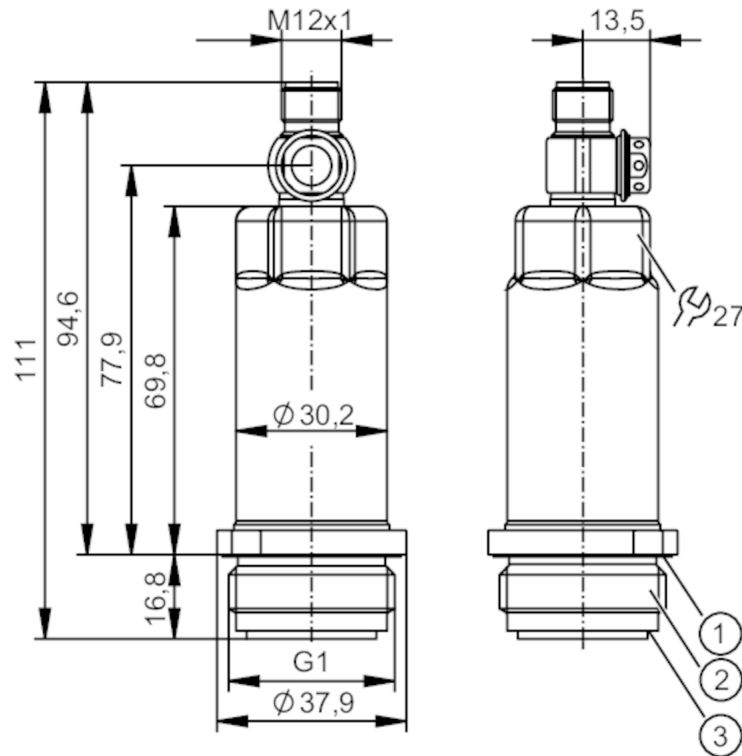


# PM1708



## Flush pressure sensor

PM-,25BREA01-E-ZVG/US



- 1 groove with sealing ring (DIN EN ISO 1179-2)
- 2 external thread G1 (Aseptoflex Vario)
- 3 groove for sealing ring



ACS



CRN



EC 1935/2004

EHEDG Certified

FCM



Reg31



### Product characteristics

Number of inputs and outputs	Number of digital outputs: 1; Number of analogue outputs: 1			
Measuring range	-0.0125...0.25 bar	-12.5...250 mbar	-0.182...3.626 psi	-1.25...25 kPa
Process connection	threaded connection G 1 external thread mit Dichtkontur Aseptoflex Vario			
Note	G1 Gewinde nach ISO 228. Alternativ dichtend über rückwärtige Dichtkontur mit Dichtung in Anlehnung an DIN EN ISO 1179-2.			

### Application

Special feature	Gold-plated contacts		
Measuring element	ceramic-capacitive pressure measuring cell		
Temperature monitoring	no		
Application	flush mountable for the food and beverage industry		
Media	viscous media and liquids with suspended particles; liquids and gases		
Medium temperature [°C]	-25...150		
Min. burst pressure	30000 mbar	435 psi	3000 kPa
Pressure rating	6000 mbar	84 psi	600 kPa
Vacuum resistance	-1000 mbar		-0.1 MPa
Type of pressure	relative pressure		
No dead space	yes		
MAWP for applications according to CRN [bar]	10		

# PM1708



## Flush pressure sensor

PM-,25BREA01-E-ZVG/US

Electrical data					
Operating voltage	[V]	18...30 DC			
Min. insulation resistance	[MΩ]	100; (500 V DC)			
Protection class		III			
Reverse polarity protection		yes			
Integrated watchdog		yes			
2-wire					
Current consumption	[mA]	3.5...21.5			
Power-on delay time	[s]	1			
3-wire					
Current consumption	[mA]	< 45			
Power-on delay time	[s]	0.5			
Inputs / outputs					
Number of inputs and outputs		Number of digital outputs: 1; Number of analogue outputs: 1			
Outputs					
Total number of outputs		2			
Output signal		analogue signal; IO-Link; (configurable)			
Number of digital outputs		1; (IO-Link)			
Number of analogue outputs		1			
Analogue current output	[mA]	4...20; (scalable)			
Max. load	[Ω]	700; (U <sub>b</sub> = 24 V; (U <sub>b</sub> - 9 V) / 21.5 mA)			
Short-circuit proof		yes			
Overload protection		yes			
Measuring/setting range					
Measuring range		-0.0125...0.25 bar	-12.5...250 mbar	-0.182...3.626 psi	-1.25...25 kPa
Analogue start point		-12.5...200 mbar		-0.182...2.9 psi	-1.25...20 kPa
Analogue end point		37.5...250 mbar		0.544...3.626 psi	3.75...25 kPa
In steps of		0.1 mbar		0.002 psi	0.01 kPa
Factory setting		ASP = 0.0 mbar	AEP = 250 mbar		
Accuracy / deviations					
Repeatability	[% of the span]	< ± 0,1; (with temperature fluctuations < 10 K; Turn down 1:1)			
Characteristics deviation	[% of the span]	< ± 0,2; (linearity incl. hysteresis and repeatability, limit value setting to DIN EN IEC 62828-1)			
Linearity deviation	[% of the span]	< ± 0,15; (Turn down 1:1)			
Hysteresis deviation	[% of the span]	< ± 0,15; (Turn down 1:1)			
Long-term stability	[% of the span]	< ± 0,1; (Turn down 1:1; per year)			
Total deviation over temperature range		<b>Temperature range</b>	<b>total deviation</b>		
		-25...15 °C	Characteristics deviation ± 0,1 % of the span / 10 K		
		15...80 °C	Characteristics deviation		
		80...150 °C	Characteristics deviation ± 0,15 % of the span / 10 K		

# PM1708



## Flush pressure sensor

PM-,25BREA01-E-ZVG/US

Notes on the accuracy / deviation

for further details see section Diagrams and graphs

### Response times

Damping for the analogue output dAA [s]	0...4
---	-------

#### 2-wire

Step response time analogue output [ms]	30
---	----

#### 3-wire

Step response time analogue output [ms]	7
---	---

### Interfaces

Communication interface	IO-Link
-------------------------	---------

Transmission type	COM2 (38,4 kBaud)
-------------------	-------------------

IO-Link revision	1.1
------------------	-----

SDCI standard	IEC 61131-9
---------------	-------------

Profiles	Smart Sensor - SSP 3.1	Measuring Sensor
	Common - I&D	Identification and Diagnosis

SIO mode	no
----------	----

Required master port type	A
---------------------------	---

Process data analogue	3
-----------------------	---

Min. process cycle time [ms]	3.2
------------------------------	-----

IO-Link resolution pressure [mbar]	0.05
------------------------------------	------

IO-Link functions (acyclical)	application specific tag; internal temperature
-------------------------------	--

Supported DeviceIDs	<b>Type of operation</b>	<b>DeviceID</b>
	default	669

### Operating conditions

Ambient temperature [°C]	-25...80
--------------------------	----------

Storage temperature [°C]	-40...100
--------------------------	-----------

Protection	IP 67; IP 68; IP 69K
------------	----------------------

### Tests / approvals

EMC	DIN EN 61000-6-2	
	DIN EN 61000-6-3	

Shock resistance	DIN EN 60068-2-27	50 g (11 ms)
------------------	-------------------	--------------

Vibration resistance	DIN EN 60068-2-6	20 g (10...2000 Hz)
----------------------	------------------	---------------------

MTTF [years]	323
--------------	-----

Note on approval	factory certificate available as download at <a href="http://www.factory-certificate.ifm">www.factory-certificate.ifm</a>
------------------	---

UL approval	UL approval no.	J021
-------------	-----------------	------

### Mechanical data

Weight [g]	273.45
------------	--------

Housing	cylindrical
---------	-------------

Dimensions [mm]	Ø 30.2 / L = 111
-----------------	------------------

Materials	stainless steel (316L/1.4404); PBT
-----------	------------------------------------

Materials (wetted parts)	ceramics (99.9 % Al <sub>2</sub> O <sub>3</sub> ); stainless steel (316L/1.4435) surface characteristics: Ra < 0,4 µm / Rz = 4 µm; PTFE
--------------------------	--

Min. pressure cycles	100 million
----------------------	-------------

# PM1708



## Flush pressure sensor

PM-,25BREA01-E-ZVG/US

Tightening torque	[Nm]	35
Process connection	threaded connection G 1 external thread mit Dichtkontur Aseptoflex Vario	

### Remarks

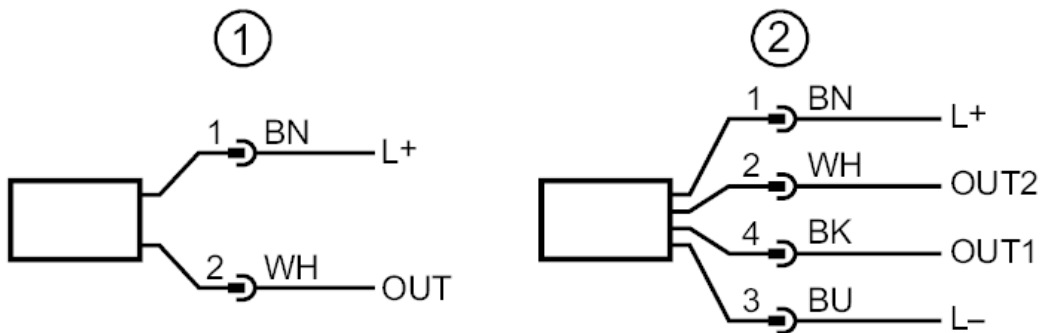
Pack quantity	1 pcs.
---------------	--------

### Electrical connection

Connector: 1 x M12; coding: A; Contacts: gold-plated



### Connection



- 1 connection for 2-wire operation ( analogue )
- 2 connection for 3-wire operation ( analogue / IO-Link )  
OUT1 : IO-Link  
OUT2 : analogue output

# PM1708

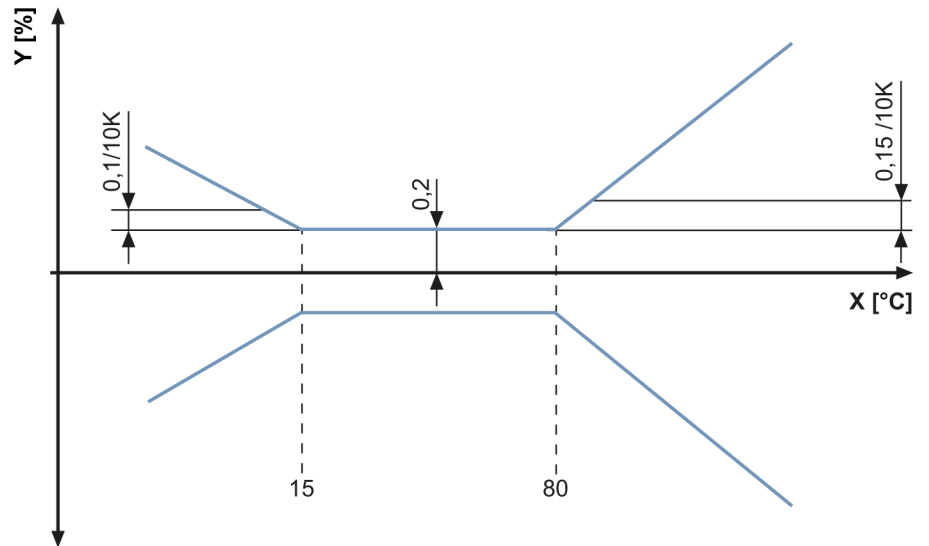


## Flush pressure sensor

PM-,25BREA01-E-ZVG/US

### Diagrams and graphs

ambient temperature influence on the accuracy



X temperature  
Y total deviation