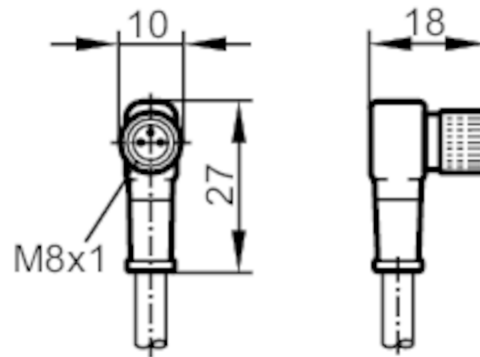


## Connecting cable with socket

ADOAF030MSS0005H03

Article no longer available - archive entry



## Application

Special feature	Free from silicone; Halogen-free; Gold-plated contacts
Application	Industrial applications / factory automation
Free from silicone	yes

## Electrical data

Operating voltage	[V]	< 60 AC / < 75 DC
Protection class		III
Max. current load total	[A]	3

## Operating conditions

Ambient temperature	[°C]	-25...85
Protection		IP 68

## Mechanical data

Dimensions	[mm]	18 x 10 x 27
Materials		PUR
Moulded-body material		PUR
Material nut		brass, nickel-plated

## Remarks

Pack quantity	1 pcs.
---------------	--------

# E11490



## Connecting cable with socket

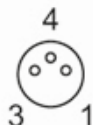
ADOAF030MSS0005H03

### Electrical connection

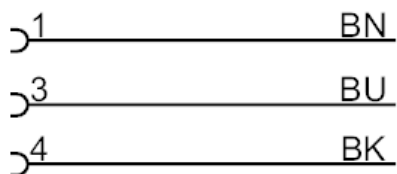
Cable: 5 m, PUR, Halogen-free, black, Ø 4.1 mm; 3 x 0.25 mm<sup>2</sup> (32 x Ø 0.1 mm )

### Electrical connection - socket

Connector: 1 x M8, angled; coding: A; Moulded body: PUR; Locking: brass, nickel-plated; Contacts: gold-plated; Tightening torque: 0.6...0.7 Nm



### Connection



Core colours :  
BK = black  
BN = brown  
BU = blue