

# HC-HPR-D07-BAFH-EMR-BK - Housing



1424635

<https://www.phoenixcontact.com/gb/products/1424635>

Please be informed that the data shown in this PDF document is generated from our online catalog. Please find the complete data in the user documentation. Our general terms of use for downloads are valid.



Panel mounting base D7, For screw locking, material: Die-cast zinc, height: 41.5 mm, cable gland: none, protective cover: no, Railway applications, for increased environmental and EMC requirements, HPR series, open floor

## Your advantages

- Vibration and shock: IEC 61373/EN 50155, category 1, class 1B

## Commercial data

Item number	1424635
Packing unit	1 pc
Minimum order quantity	1 pc
Sales key	AF7AAJ
Product key	AF7AAJ
GTIN	4055626375649
Weight per piece (including packing)	139.3 g
Weight per piece (excluding packing)	139.3 g
Customs tariff number	85389099
Country of origin	CN

1424635

<https://www.phoenixcontact.com/gb/products/1424635>

## Technical data

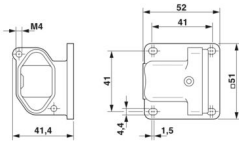
### Notes

General	for contact inserts HC-D7, D8, A3, A4, HS2-D7, Q5, Q7, Q12
---------	--

### Product properties

Housing type	Panel mounting base
Product family	HC-STA-D07
Series	HPR-D7
Application	Railway applications
Type	D7
Protective cover	no
Shielded	yes
Pg screw connection	none

### Dimensions

Dimensional drawing	
Width	51 mm
Height	41.5 mm
Length	52 mm
Hole diameter	4.4 mm

### Material specifications

Seal material	NBR
	NBR
Housing material	Die-cast zinc
Housing surface material	Powder-coated, black

### Environmental and real-life conditions

#### Ambient conditions

Degree of protection	IP66 (with sealing screw)
	IP68 (0.4 bar / 30 min. with sealing screw)
	IP69 (ISO 20653:2013-02)
Impact strength	IK09
Ambient temperature (operation)	-40 °C ... 125 °C

### Mechanical properties

#### Mechanical data

Locking type	Nut
--------------	-----

1424635

<https://www.phoenixcontact.com/gb/products/1424635>

## Mounting

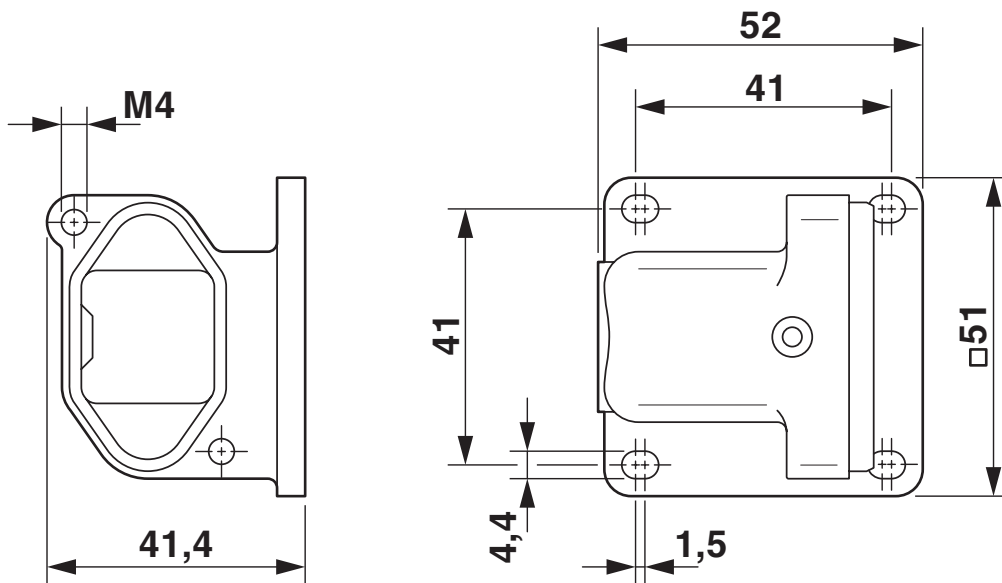
Assembly note

M4 locking screw, slotted hexagon head screw (wrench size 7), tightening torque: 1 Nm. The seal of the pin contact insert should be removed. Max. thread length of the screw connection: 6 mm

Mount contact insert with sealing screw in the housing

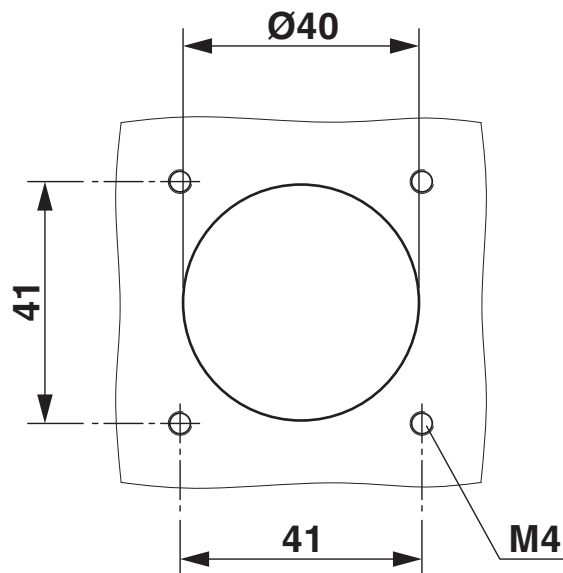
Drawings

Dimensional drawing



Dimensional drawing

Dimensional drawing



Mounting cutout

1424635

<https://www.phoenixcontact.com/gb/products/1424635>

## Approvals

🔗 To download certificates, visit the product detail page: <https://www.phoenixcontact.com/gb/products/1424635>

**DNV**

Approval ID: TAE000037S

1424635

<https://www.phoenixcontact.com/gb/products/1424635>

## Classifications

### ECLASS

ECLASS-13.0	27440202
ECLASS-15.0	27440202

### ETIM

ETIM 10.0	EC000437
-----------	----------

### UNSPSC

UNSPSC 21.0	31261500
-------------	----------

1424635

<https://www.phoenixcontact.com/gb/products/1424635>

## Environmental product compliance

### EU RoHS

Fulfills EU RoHS substance requirements	Yes, No exemptions
---	--------------------

### China RoHS

Environment friendly use period (EFUP)	EFUP-E
	No hazardous substances above the limits

### EU REACH SVHC

REACH candidate substance (CAS No.)	No substance above 0.1 wt%
-------------------------------------	----------------------------

Phoenix Contact 2026 © - all rights reserved  
<https://www.phoenixcontact.com>

PHOENIX CONTACT Ltd  
Halesfield 13, Telford  
Shropshire, TF7 4PG  
01952 681700  
[info@phoenixcontact.co.uk](mailto:info@phoenixcontact.co.uk)