

# NS 35/15 PERF 500MM - DIN rail perforated



1207657

<https://www.phoenixcontact.com/gb/products/1207657>

Please be informed that the data shown in this PDF document is generated from our online catalog. Please find the complete data in the user documentation. Our general terms of use for downloads are valid.



DIN rail perforated, similar to EN 60715, material: Steel, galvanized, passivated with a thick layer, Standard profile, color: silver

## Commercial data

Item number	1207657
Packing unit	20 pc
Minimum order quantity	20 pc
Sales key	BH8422
Product key	BH8422
GTIN	4046356366557
Weight per piece (including packing)	310 g
Weight per piece (excluding packing)	310 g
Customs tariff number	72166190
Country of origin	DE

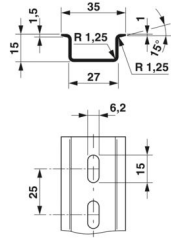
# NS 35/15 PERF 500MM - DIN rail perforated

1207657

<https://www.phoenixcontact.com/gb/products/1207657>

## Technical data

### Dimensions

Dimensional drawing		
Width		35 mm
Hole width		15 mm
Hole height		6.2 mm
Depth		15 mm
Length		500 mm
Drill hole spacing		25 mm

### Material specifications

Color	silver
Material	Steel
Coating	galvanized, passivated with a thick layer

### Standards and regulations

Tests	similar to EN 60715
-------	---------------------

### Electrical tests

Short-time withstand current		
Equivalent E-Cu cross-section		25 mm <sup>2</sup>
Short-time current resistance 1s		3 kA

Drawings

Dimensional drawing



# NS 35/15 PERF 500MM - DIN rail perforated



1207657

<https://www.phoenixcontact.com/gb/products/1207657>

## Classifications

### ECLASS

ECLASS-13.0	27400602
ECLASS-15.0	27400602

### ETIM

ETIM 10.0	EC001285
-----------	----------

### UNSPSC

UNSPSC 21.0	39121700
-------------	----------

# NS 35/15 PERF 500MM - DIN rail perforated



1207657

<https://www.phoenixcontact.com/gb/products/1207657>

## Environmental product compliance

### EU RoHS

Fulfills EU RoHS substance requirements	Yes, No exemptions
-----------------------------------------	--------------------

### China RoHS

Environment friendly use period (EFUP)	EFUP-E
	No hazardous substances above the limits

### EU REACH SVHC

REACH candidate substance (CAS No.)	No substance above 0.1 wt%
-------------------------------------	----------------------------

Phoenix Contact 2026 © - all rights reserved  
<https://www.phoenixcontact.com>

PHOENIX CONTACT Ltd  
Halesfield 13, Telford  
Shropshire, TF7 4PG  
01952 681700  
[info@phoenixcontact.co.uk](mailto:info@phoenixcontact.co.uk)