

# SACB-4/ 8-L-PT P12 - Distributor box



1494172

<https://www.phoenixcontact.com/gb/products/1494172>

Please be informed that the data shown in this PDF document is generated from our online catalog. Please find the complete data in the user documentation. Our general terms of use for downloads are valid.



Distributor box, application: Standard, connection method: M12 PUSH-PULL female connector / M12 socket, number of slots: 4, number of positions: 5, coding: A, slot assignment: Double, status display: yes, PNP; master cable connection: Push-in connection 180°, shielding: no

Marking labels are not included in the scope of delivery

## Your advantages

- Safety in the field, thanks to molded housing and high degree of protection
- Fast, secure installation of connectors with the push-pull fast-locking system in accordance with IEC 61076-2-010
- Flexible: distributor box with connector hood for on-site assembly

## Commercial data

Item number	1494172
Packing unit	1 pc
Minimum order quantity	1 pc
Sales key	AF3CBC
Product key	AF3CBC
GTIN	4063151942717
Weight per piece (including packing)	198.4 g
Weight per piece (excluding packing)	198 g
Customs tariff number	85366990
Country of origin	DE

# SACB-4/ 8-L-PT P12 - Distributor box



1494172

<https://www.phoenixcontact.com/gb/products/1494172>

## Technical data

### Notes

Assembly note	<b>NOTE:</b> Observe the permissible bending radii when routing cables, since the degree of protection may be at risk if the bending forces are too high. Reduce mechanical loads upstream of the connector, e.g., by using cable ties.
Note on application	Unused slots are to be sealed off prior to commissioning. Suitable sealing elements are to be found under "Accessories".
Note regarding documentation	For details about the used PCB connectors SPTA 1/10-3,5 - 1752188, refer to the technical data for the item

### Product properties

Application	Standard
Number of positions	5
Number of slots	4
Coding	A

### Electrical properties

Max. operating voltage $U_{max}$	30 V DC
Nominal voltage $U_N$	24 V DC
Rated current, total	8 A
Max. current carrying capacity per path	2 A
Current carrying capacity per slot	4 A

### Connection data

#### Conductor connection

Sensor/actuator connection system	M12 PUSH-PULL female connector M12 socket
Conductor cross-section Flexible signal line	0.2 mm <sup>2</sup> ... 1 mm <sup>2</sup>
Conductor cross-section Flexible power supply	0.2 mm <sup>2</sup> ... 1 mm <sup>2</sup>
Connection cross section AWG Flexible signal line	24 ... 16
Connection cross section AWG Flexible power supply	24 ... 16
Stripping length Signal line	8 mm
Stripping length Power supply	8 mm
Stripping length of the sheath	50 mm (Master cable)
Tightening torque slot sensor/actuator cable	0.4 Nm
Tightening torque of mounting screw for fixing the housing	0.5 Nm
Tightening torque, union nut	5 Nm

#### Connection assignment

Slot/position = Wire color or connection	1 / 4 (A) = WH
	1 / 2 (B) = GYPK
	2 / 4 (A) = GN
	2 / 2 (B) = RDBU

# SACB-4/ 8-L-PT P12 - Distributor box



1494172

<https://www.phoenixcontact.com/gb/products/1494172>

	3 / 4 (A) = YE
	3 / 2 (B) = WHGN
	4 / 4 (A) = GY
	4 / 2 (B) = BNGN
	1-4 / 1 (+ 24 V) = BN
	1-4 / 3 (0 V) = BU
	1-4 / 5 (PE) = GNYE

## Signaling

Status display present	yes
------------------------	-----

## Material specifications

Material Housing	PBT
Flammability rating according to UL 94	V0
Seal material	FKM
Contact material	CuSn
Contact surface material	Ni/Au
Contact carrier material	PA

## Cable/line

External cable diameter	7 mm ... 12 mm
Connection method	Push-in connection

## Environmental and real-life conditions

### Ambient conditions

Degree of protection	IP65
	IP67
Ambient temperature (operation)	-25 °C ... 80 °C

## Standards and regulations

Standard designation	M12-Push-Pull
Standards/specifications	IEC 61076-2-010

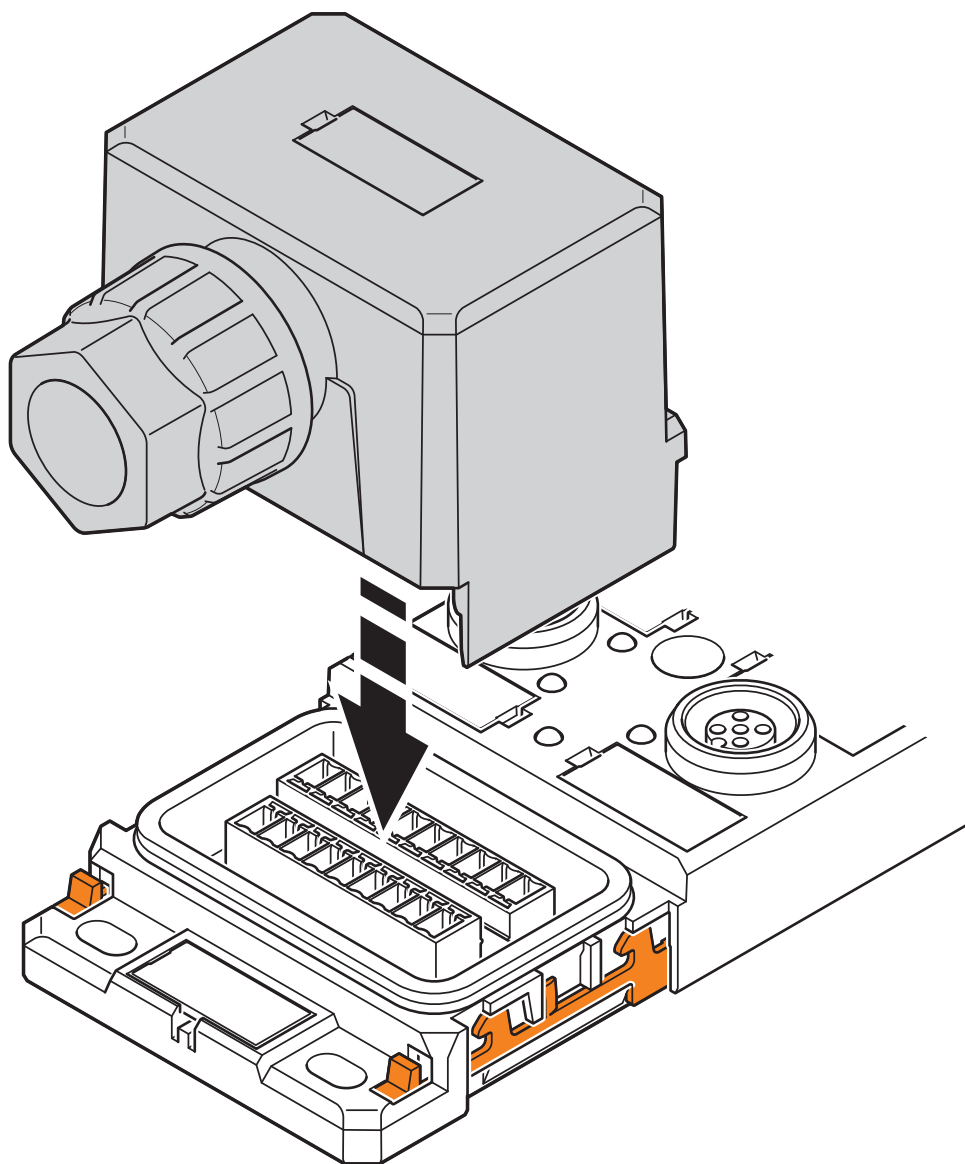
# SACB-4/ 8-L-PT P12 - Distributor box

1494172

<https://www.phoenixcontact.com/gb/products/1494172>

## Drawings

Schematic diagram



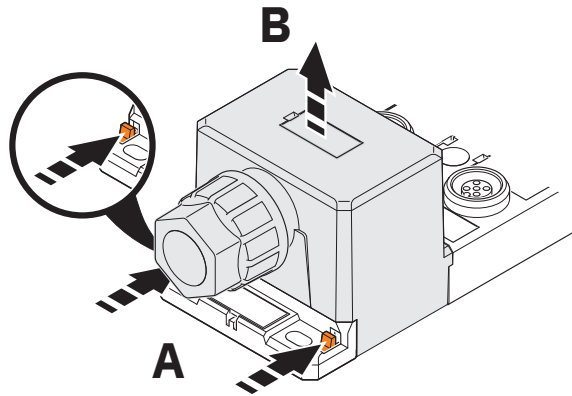
Schematic diagram of hood mounting

# SACB-4/ 8-L-PT P12 - Distributor box

1494172

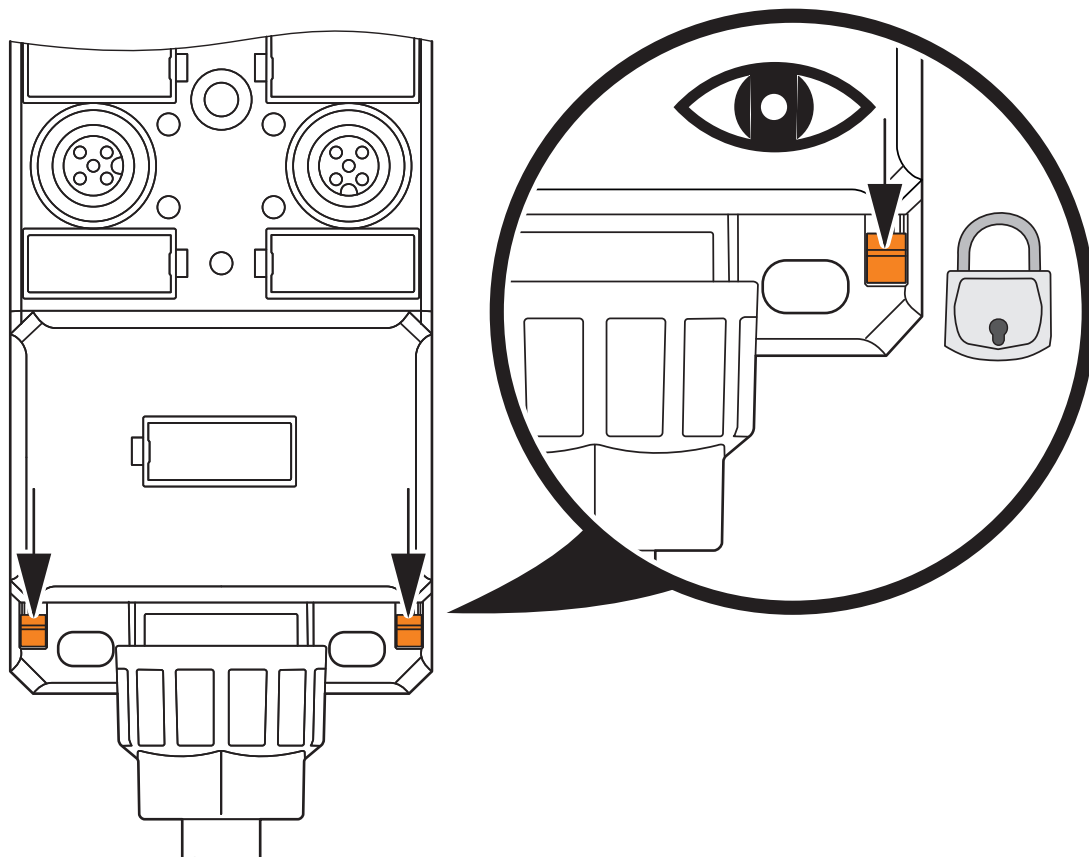
<https://www.phoenixcontact.com/gb/products/1494172>

Schematic diagram



Schematic diagram of hood removal

Schematic diagram



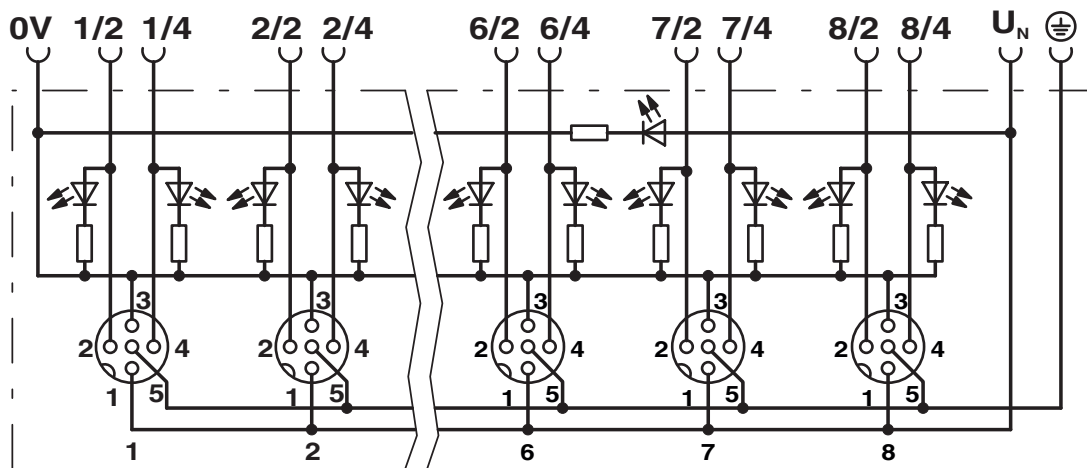
Schematic diagram of locking and release mechanism for hood

# SACB-4/ 8-L-PT P12 - Distributor box

1494172

<https://www.phoenixcontact.com/gb/products/1494172>

Circuit diagram



# SACB-4/ 8-L-PT P12 - Distributor box



1494172

<https://www.phoenixcontact.com/gb/products/1494172>

## Classifications

### ECLASS

ECLASS-13.0	27440111
ECLASS-15.0	27440111

### ETIM

ETIM 10.0	EC003558
-----------	----------

### UNSPSC

UNSPSC 21.0	31251500
-------------	----------

# SACB-4/ 8-L-PT P12 - Distributor box



1494172

<https://www.phoenixcontact.com/gb/products/1494172>

## Environmental product compliance

### EU RoHS

Fulfills EU RoHS substance requirements	Yes, No exemptions
---	--------------------

### China RoHS

Environment friendly use period (EFUP)	EFUP-E
	No hazardous substances above the limits

### EU REACH SVHC

REACH candidate substance (CAS No.)	No substance above 0.1 wt%
-------------------------------------	----------------------------

Phoenix Contact 2026 © - all rights reserved  
<https://www.phoenixcontact.com>

PHOENIX CONTACT Ltd  
Halesfield 13, Telford  
Shropshire, TF7 4PG  
01952 681700  
[info@phoenixcontact.co.uk](mailto:info@phoenixcontact.co.uk)