

# TTC-3-1X2-24DC-PT - Surge protection device



2907325

<https://www.phoenixcontact.com/gb/products/2907325>

Please be informed that the data shown in this PDF document is generated from our online catalog. Please find the complete data in the user documentation. Our general terms of use for downloads are valid.

Surge protection for a 2-wire floating signal circuit, e.g., 0(4) mA ... 20 mA current loop, HART-compatible. Can be used in safety-related circuits up to SIL 3.



## Your advantages

- Extremely space-saving installation with the narrowest overall width of just 3.5 mm
- Cost-optimized with tailored product features
- Finding the right product for all possible requirements in MCR applications is easy, thanks to the complete range of products with customized features

## Commercial data

Item number	2907325
Packing unit	1 pc
Minimum order quantity	1 pc
Sales key	CL2266
Product key	CL2266
GTIN	4055626199917
Weight per piece (including packing)	24.5 g
Weight per piece (excluding packing)	19.5 g
Customs tariff number	85363030
Country of origin	DE

# TTC-3-1X2-24DC-PT - Surge protection device

2907325

<https://www.phoenixcontact.com/gb/products/2907325>

## Technical data

### Product properties

Product family	TERMITRAB complete
IEC test classification	C1
	C2
	C3
	D1
Type	DIN rail module, one-piece
Wire pairs per module	1

### Insulation characteristics

Overvoltage category	III
Pollution degree	2

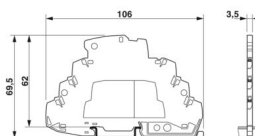
### Electrical properties

Nominal voltage $U_N$	24 V DC
-----------------------	---------

### Connection data

Connection method	Push-in connection
Conductor cross-section, flexible, with ferrule, with plastic sleeve	0.2 mm <sup>2</sup> ... 1 mm <sup>2</sup>
Conductor cross-section, flexible, with ferrule, without plastic sleeve	0.2 mm <sup>2</sup> ... 1.5 mm <sup>2</sup>
Conductor cross-section flexible	0.2 mm <sup>2</sup> ... 1.5 mm <sup>2</sup>
Conductor cross-section rigid	0.2 mm <sup>2</sup> ... 1.5 mm <sup>2</sup>
Conductor cross-section AWG	24 ... 16

### Dimensions

Dimensional drawing	
Width	3.5 mm
Height	106 mm
Depth	69.5 mm (incl. DIN rail 7.5 mm)

### Material specifications

Color	gray (RAL 7042)
	gray (RAL 7042)
Flammability rating according to UL 94	V-0
Insulating material	PBT
Housing material	PBT

# TTC-3-1X2-24DC-PT - Surge protection device



2907325

<https://www.phoenixcontact.com/gb/products/2907325>

## Mechanical properties

### Mechanical data

Open side panel	Yes
-----------------	-----

## Protective circuit

Direction of action	Line-Line & Line-Signal Ground/Shield & optional Signal Ground/Shield-Earth Ground
Nominal voltage $U_N$	24 V DC
Maximum continuous operating voltage $U_C$	30 V DC 21 V AC
Rated current	250 mA (70 °C)
Operating effective current $I_C$ at $U_C$	$\leq 1 \mu A$
Protective conductor current $I_{PE}$	$\leq 1 \mu A$
Nominal discharge current $I_n$ (8/20) $\mu s$ (line-line)	5 kA
Nominal discharge current $I_n$ (8/20) $\mu s$ (line-ground)	5 kA
Pulse discharge current $I_{imp}$ (10/350) $\mu s$ (line-earth)	0.5 kA
Total discharge current $I_{Total}$ (8/20) $\mu s$	10 kA
Voltage protection level $U_p$ (line-line)	$\leq 50$ V (C1 - 500 V / 250 A) $\leq 70$ V (C2 - 10 kV / 5 kA) $\leq 45$ V (C3 - 30 A)
Voltage protection level $U_p$ (line-earth)	$\leq 1000$ V (C2 - 10 kV / 5 kA) $\leq 1000$ V (C3 - 100 A)
Voltage protection level $U_p$ static (line-line)	$\leq 50$ V (C1 - 1 kV / 500 A)
Response time $t_A$ (line-line)	$\leq 1$ ns
Input attenuation aE, sym.	typ. 0.3 dB ( $\leq 600$ kHz / 150 $\Omega$ )
Cut-off frequency $f_g$ (3 dB), sym. in 150 $\Omega$ system	typ. 2.4 MHz
Capacity (Core-Core)	typ. 1 nF
Resistance per path	2.2 $\Omega \pm 10$ %
Surge protection fault message	none
Max. required back-up fuse	250 mA (FF)
Impulse durability (line-line)	C1 - 500 V / 250 A C2 - 10 kV / 5 kA C3 - 30 A
Impulse durability (line-earth)	C2 - 10 kV / 5 kA C3 - 100 A D1 - 500 A
Pulse reset time (line-line)	$\leq 30$ ms

## Environmental and real-life conditions

### Ambient conditions

Degree of protection	IP20 (with end cover)
Ambient temperature (operation)	-40 °C ... 85 °C
Ambient temperature (storage/transport)	-40 °C ... 85 °C

# TTC-3-1X2-24DC-PT - Surge protection device



2907325

<https://www.phoenixcontact.com/gb/products/2907325>

Altitude	≤ 4000 m (amsl)
Permissible humidity (operation)	5 % ... 95 %

## Standards and regulations

Standards/specifications	IEC 61643-21
Note	2000 + corrigendum 2001 + A1:2008, modified + A2:2012

### EN 61643-21

Standards/specifications	EN 61643-21
Note	2001 + A1:2009 + A2:2013

## Mounting

Mounting type	DIN rail: TH 35 - 7.5 mm
---------------	--------------------------

# TTC-3-1X2-24DC-PT - Surge protection device

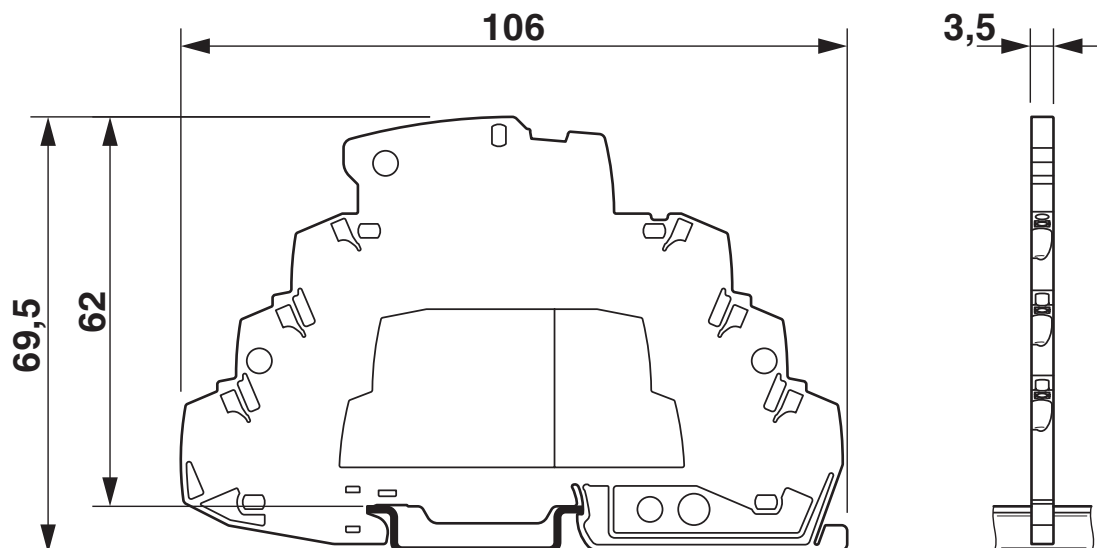


2907325

<https://www.phoenixcontact.com/gb/products/2907325>

## Drawings

Dimensional drawing

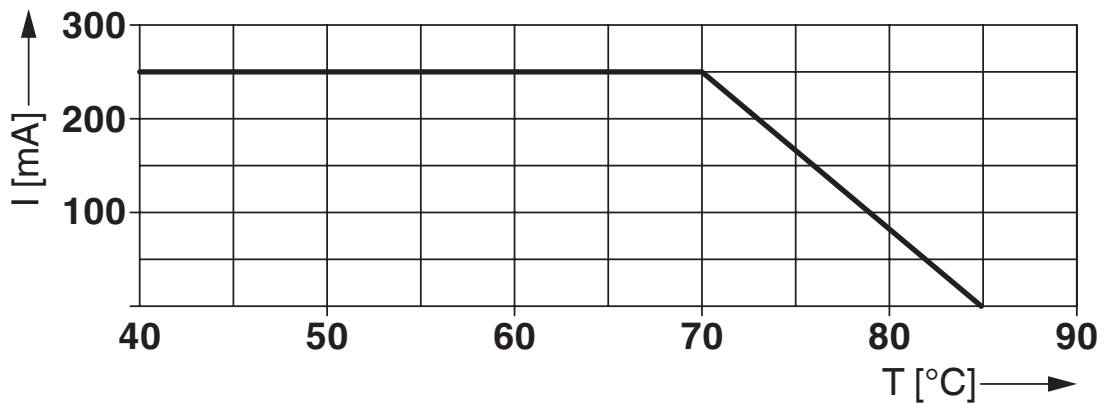


Schematic diagram

TTC-3-1X2-...									
Category	1oo1 architecture, HFT=0				1oo2 architecture, HFT=1				
	PFD <sub>AVG</sub>	PFH	Used budget of SIL 2 SIF		PFD <sub>AVG</sub>	PFH	CCF	Used budget of SIL 3 SIF	
			PFD <sub>AVG</sub>	PFH				PFD <sub>AVG</sub>	PFH
	9.44x10 <sup>-5</sup>	1.68x10 <sup>-8</sup> 1/h	0.9%	1.7 %	4.73x10 <sup>-6</sup>	8.43x10 <sup>-10</sup> 1/h	5 %	0.5 %	0.8%
					9.46x10 <sup>-6</sup>	1.68x10 <sup>-7</sup> 1/h	10 %	0.9 %	1.7 %
Calculation based on exida report, Phoenix Contact 16/06-072 R023 V3R1 exida Profile 1, FMEDA Analysis 2, T <sub>proof</sub> : 1 year, MT: 10 years, MTTR: 24 hours, PTC: 99% Used standards IEC/EN 61508, edition 2010 (device specific) IEC/EN 61511, edition 2016 + COR1:2016 + A1:2017 (system specific)									

## Functional safety scenarios

Diagram



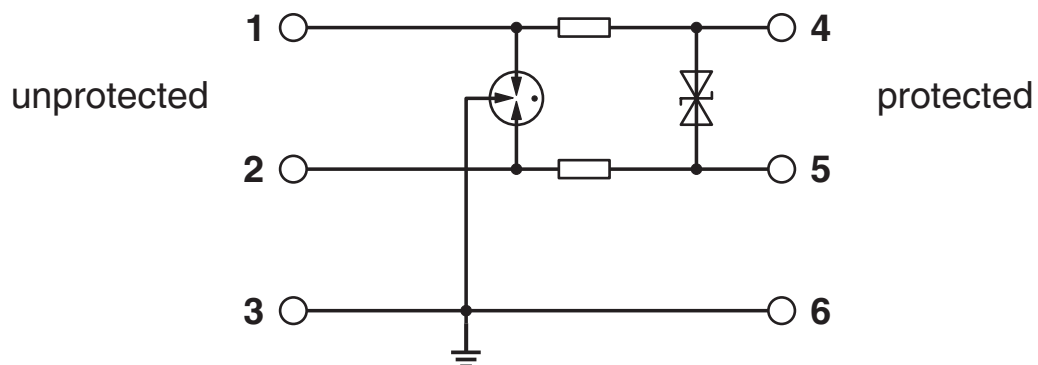
# TTC-3-1X2-24DC-PT - Surge protection device

2907325

<https://www.phoenixcontact.com/gb/products/2907325>



Circuit diagram



# TTC-3-1X2-24DC-PT - Surge protection device




2907325

<https://www.phoenixcontact.com/gb/products/2907325>

## Approvals

To download certificates, visit the product detail page: <https://www.phoenixcontact.com/gb/products/2907325>

 **CSA**  
Approval ID: 70136717

 **DNV GL**  
Approval ID: TAE000027G

 **UL Listed**  
Approval ID: FILE E 138168

 **CSAus**  
Approval ID: 70136717

**Functional Safety**  
Approval ID: 16-06-072 R023 V3R1

# TTC-3-1X2-24DC-PT - Surge protection device



2907325

<https://www.phoenixcontact.com/gb/products/2907325>

## Classifications

### ECLASS

ECLASS-13.0	27171501
ECLASS-15.0	27171501

### ETIM

ETIM 10.0	EC001466
-----------	----------

### UNSPSC

UNSPSC 21.0	39121600
-------------	----------

# TTC-3-1X2-24DC-PT - Surge protection device



2907325

<https://www.phoenixcontact.com/gb/products/2907325>

## Environmental product compliance

### EU RoHS

Fulfills EU RoHS substance requirements	Yes
Exemption	7(a), 7(c)-I

### China RoHS

Environment friendly use period (EFUP)	EFUP-50
	An article-related China RoHS declaration table can be found in the download area for the respective article under "Manufacturer declaration". For all articles with EFUP-E, no China RoHS declaration table issued and required.

### EU REACH SVHC

REACH candidate substance (CAS No.)	Lead(CAS: 7439-92-1)
SCIP	d160e4e4-3b4f-4507-8019-35e3364d8151

Phoenix Contact 2026 © - all rights reserved

<https://www.phoenixcontact.com>

PHOENIX CONTACT Ltd  
Halesfield 13, Telford  
Shropshire, TF7 4PG  
01952 681700  
[info@phoenixcontact.co.uk](mailto:info@phoenixcontact.co.uk)