

Product datasheet

Specifications



EcoStruxure Panel Server - entry wireless, concentrator 110-277 VAC/DC

PAS400

EAN Code: 3606481014313

Main

Range	EcoStruxure
Product name	Panel Server Entry
Product or component type	Gateway
Device short name	PAS400
Device application	Gateway
[Us] rated supply voltage	110...277 V AC 50/60 Hz
Communication gateway	Ethernet TCP/IP to wireless devices

Complementary

Product compatibility	Wireless access point
Communication port protocol	Modbus TCP DHCP HTTPS NTP/SNTP IPv4 IPv6 TCP/IP
Communication port support	1 RJ45: ETHERNET
Number of server device(s)	20 wireless (IEEE 802.15.4) product(s) - mixed
Number of devices	64 Modbus TCP/IP
Number of inputs	0
Connections - terminals	Power supply: screw terminal block (top) 1.5...2.5 mm ² cable(s) Communication: screw terminal block (bottom) 0.14...1.5 mm ² cable(s)
Tightening torque	Power supply: 0.6 N.m Communication: 0.25 N.m
Wire stripping length	Power supply: 7 mm Communication: 7 mm
Mounting mode	Clip-on
Mounting support	DIN rail
Product certifications	CE cULus CB RCM UKCA FCC IC DNV Marine ANSI RF IACS E10

Disclaimer: This documentation is not intended as a substitute for and is not to be used for determining suitability or reliability of these products for specific user applications

Standards	IEC 61010 IEC 61010-1 IEC 61010-2-201 UL 61010 UL 61010-1 UL 61010-2-201 EN 61010-1 EN 61010-2-201 CAN/CSA C22.2 No. 61010-1-12 CAN/CSA C22.2 No. 61010-2-201 IEC 62974-1 IEC 61326-1 EN 61326-1 ETSI EN 301 489-1 ETSI EN 301 489-17 EN 301-893 EN 55032 CISPR 11 ETSI EN 300 328 IEEE 802.15.4 IEEE 802.11a/b/g/n IEEE 802.3 af/at FCC CFR 47 part 15 class A EN 62311 IEC 62311 ANSI C63.10 EN 62974-1 DNVGL-GC-0339
Depth	70.2 mm
Height	93 mm
Width	54 mm
Net weight	163 g
Data recording	Real time data monitoring
Data buffer for data publication (cloud, SFTP, HTTPS) depending on network	1 month(s)
Function available	Embedded web page for configuration and upgrade Diagnosis capabilities Diagnostic report Diagnostics on communication Energy management With integrated web server Firmware update Backup/restore configuration Configurable event
Product specific application	Wireless Schneider Electric devices ecosystem
Web services	HTTPS server SFTP publication (CSV / JSON) HTTPS publication (CSV / JSON)
Communication service	Device Profile for Web Services (DPWS) Modbus TCP server SNTP client DHCP client RSTP
Commissioning interface	EcoStruxure Power Commission desktop EcoStruxure Power Commission Mobile (through Wi-Fi Access point) Web page
Realtime clock	With RTC-battery set With user calibration
Time synchronisation protocol	NTP SNTP

Range compatibility	EcoStruxure Facility Expert EcoStruxure Building Operation EcoStruxure Power Operation EcoStruxure Power Monitoring Expert EcoStruxure Asset Advisor EcoStruxure Energy Hub EcoStruxure Resource Advisor Third party SCADA
----------------------------	---

Communication interface	Wireless (IEEE802.15.4) product
--------------------------------	---------------------------------

Environment

Relative humidity	5...95 %
IP degree of protection	IP40 (front face) IP20 (casing)
Ambient air temperature for operation	-25...60 °C
Ambient air temperature for storage	-40...85 °C
Pollution degree	2
Operating altitude	< 2000 m

Packing Units

Unit Type of Package 1	PCE
Number of Units in Package 1	1
Package 1 Height	6.000 cm
Package 1 Width	8.500 cm
Package 1 Length	10.500 cm
Package 1 Weight	206.000 g
Unit Type of Package 2	S03
Number of Units in Package 2	45
Package 2 Height	30.000 cm
Package 2 Width	30.000 cm
Package 2 Length	40.000 cm
Package 2 Weight	10.300 kg

Logistical informations

Country of origin	IN
--------------------------	----

Contractual warranty

Warranty (in months)	18
-----------------------------	----



Environmental Data

Schneider Electric aims to achieve Net Zero status by 2050 through supply chain partnerships, lower impact materials, and circularity via our ongoing “Use Better, Use Longer, Use Again” campaign to extend product lifetimes and recyclability.

[Environmental Data explained >](#)

[How we assess product sustainability >](#)



Environmental footprint

Total lifecycle Carbon footprint	48 kg CO2 eq.
Carbon footprint of the manufacturing phase [A1 to A3]	17 kg CO2 eq.
Carbon footprint of the distribution phase [A4]	0 kg CO2 eq.
Carbon footprint of the installation phase [A5]	0 kg CO2 eq.
Carbon footprint of the use phase [B2, B3, B4, B6]	31 kg CO2 eq.
Carbon footprint of the end-of-life phase [C1 to C4]	0.2 kg CO2 eq.
Environmental Disclosure	Product Environmental Profile

Use Better



Materials and Substances

Packaging made with recycled cardboard	Yes
Packaging without single use plastic	Yes
SCIP Number	8fd200e0-fc2c-4c52-ba68-62f2aced16fe
EU RoHS Directive	Compliant By Exemption
REACH Regulation	Reference contains Substances of Very High Concern above the threshold
Halogen-free status	Halogen free plastic parts & cables product

Use Longer




Lifetime extension

Repair	No
--------	----

Use Again

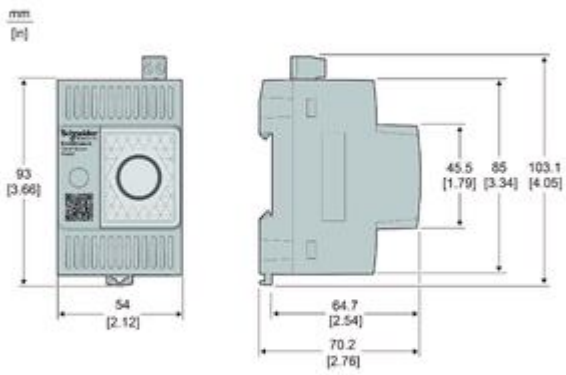


Repack and remanufacture

End of life manual availability	End of Life Information
Removable battery	No
Take-back	Nej
WEEE Label	 The product must be disposed on European Union markets following specific waste collection and never end up in rubbish bins

Technical Illustration

Dimensions



Technical illustration

Product Installation

