

HC-M-KV-Z-M40 - Cable gland

1646175

<https://www.phoenixcontact.com/gb/products/1646175>

Please be informed that the data shown in this PDF document is generated from our online catalog. Please find the complete data in the user documentation. Our general terms of use for downloads are valid.

Metal screw connection with strain relief clamp, thread length: 8 mm, cable sealing area: 24 - 33 mm, clamping area: 26 - 36 mm, SW 50, screw connection: M40



Commercial data

Item number	1646175
Packing unit	10 pc
Minimum order quantity	10 pc
Sales key	AF7DFX
Product key	AF7DFX
GTIN	4017918941314
Weight per piece (including packing)	278.22 g
Weight per piece (excluding packing)	268.46 g
Customs tariff number	74198090
Country of origin	DE

HC-M-KV-Z-M40 - Cable gland

1646175

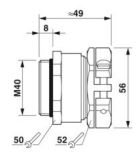
<https://www.phoenixcontact.com/gb/products/1646175>

Technical data

Product properties

Application	Standard
No. of conductors	1
Manufacturer	wafi
Shielded	no

Dimensions

Dimensional drawing	
Length	49 mm
Length of the connecting thread	8 mm
Length without connecting thread	41 mm
Diameter	40 mm
Connecting thread diameter	40 mm
Wrench size, union nut	52 mm
Wrench size, support	50 mm
Clamping range of the strain relief clip	26.00 mm ... 33.00 mm
Hexagon angular dimension	56 mm
Thread type connection side	M40 x 1.5
Thread pitch	1.5 mm

Connection data

Tightening torque	18 Nm (Support sleeve)
	12 Nm (Union nut)

Material specifications

Seal material O-ring	NBR
Seal material Cable seal	Perbunan
Material for screw connection	Brass, nickel-plated

Cable/line

External cable diameter Cable 1	24 mm ... 33 mm
Halogen-free	no

Environmental and real-life conditions

Ambient conditions

Degree of protection	IP65
Ambient temperature (operation)	-20 °C ... 80 °C (static)

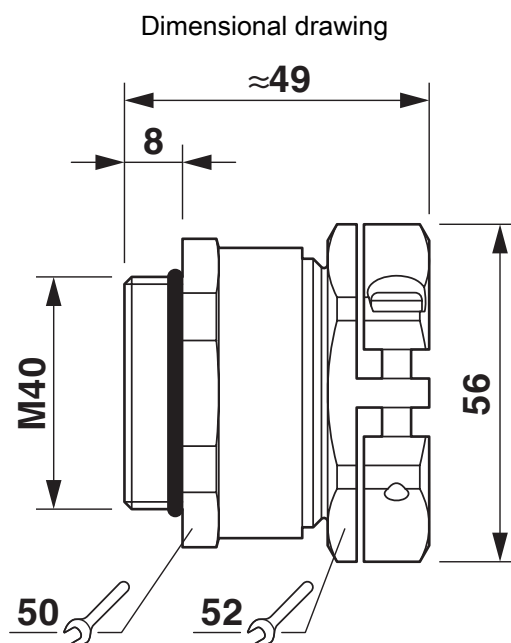
HC-M-KV-Z-M40 - Cable gland

1646175

<https://www.phoenixcontact.com/gb/products/1646175>



Drawings



Dimensional drawing

HC-M-KV-Z-M40 - Cable gland



1646175

<https://www.phoenixcontact.com/gb/products/1646175>

Classifications

ECLASS

ECLASS-13.0	27140801
ECLASS-15.0	27140801

ETIM

ETIM 10.0	EC000441
-----------	----------

UNSPSC

UNSPSC 21.0	39121300
-------------	----------

HC-M-KV-Z-M40 - Cable gland



1646175

<https://www.phoenixcontact.com/gb/products/1646175>

Environmental product compliance

EU RoHS

Fulfills EU RoHS substance requirements	Yes
Exemption	6(c)

China RoHS

Environment friendly use period (EFUP)	EFUP-50
	An article-related China RoHS declaration table can be found in the download area for the respective article under "Manufacturer declaration". For all articles with EFUP-E, no China RoHS declaration table issued and required.

EU REACH SVHC

REACH candidate substance (CAS No.)	Lead(CAS: 7439-92-1)
SCIP	7eca331b-f556-45e7-87d6-25f6b47420f6

EF3.1 Climate Change

CO2e kg	2.584 kg CO2e
---------	---------------

Phoenix Contact 2026 © - all rights reserved
<https://www.phoenixcontact.com>

PHOENIX CONTACT Ltd
Halesfield 13, Telford
Shropshire, TF7 4PG
01952 681700
info@phoenixcontact.co.uk