

# HC-STA-B24-SLWSC-2SSM32-ELC-AL - Housing



1412882

<https://www.phoenixcontact.com/gb/products/1412882>

Please be informed that the data shown in this PDF document is generated from our online catalog. Please find the complete data in the user documentation. Our general terms of use for downloads are valid.



Surface mounting housing B24, with single locking latch, material: Die-cast aluminum, salt water resistant, protective cover material: PC, cable outlets: 2, lateral, 2x M32, height: 68 mm, cable gland: none, protective cover: yes, Standard

## Your advantages

- Good shielding in the event of electromagnetic interference

## Commercial data

|                                      |               |
|--------------------------------------|---------------|
| Item number                          | 1412882       |
| Packing unit                         | 1 pc          |
| Minimum order quantity               | 1 pc          |
| Sales key                            | AF7APB        |
| Product key                          | AF7APB        |
| GTIN                                 | 4055626061313 |
| Weight per piece (including packing) | 380.3 g       |
| Weight per piece (excluding packing) | 374.92 g      |
| Customs tariff number                | 85389099      |
| Country of origin                    | PL            |

1412882

<https://www.phoenixcontact.com/gb/products/1412882>

## Technical data

### Notes

|         |  |
|---------|--|
| General | for contact inserts HC-B24, BB46, D64, DD108, HV10/16, M                                       |
| General | also available as a powder-coated or color version: 1372657 HC-STA-B24-SLWSC-2SSM32-EL/.../... |

### Product properties

|                              |                          |
|------------------------------|--------------------------|
| Housing type                 | Surface mounting housing |
| Application                  | Standard                 |
| Type                         | B24                      |
| No. of cable outlets         | 2                        |
| Type of the screw connection | 2x M32                   |
| Protective cover             | yes                      |
| Cable outlet                 | lateral                  |
| Pg screw connection          | none                     |

### Dimensions

|                     |        |
|---------------------|--------|
| Dimensional drawing |        |
| Width               | 57 mm  |
| Height              | 68 mm  |
| Length              | 144 mm |
| Hole diameter       | 5.5 mm |

### Material specifications

|  |   |
|--|---|
| Flammability rating according to UL 94 | V0 (Interlock)                          |
|  | V0 (Protective cover)                   |
| Seal material                          | NBR, conductive                         |
| Housing material                       | Die-cast aluminum, salt water resistant |
| Housing surface material               | uncoated                                |
| Material, protective cover             | PC                                      |
| Locking latch material                 | PA                                      |

### Mechanical properties

#### Mechanical data

|                              |        |
|------------------------------|--------|
| Type of the screw connection | 2x M32 |
| Locking type                 | Latch  |

### Connection data

1412882

<https://www.phoenixcontact.com/gb/products/1412882>

|                   |   |
|-------------------|---|
| Tightening torque | 2 Nm ... 3 Nm (for M5 mounting screws on the surface-mount housing) |
|-------------------|---|

## Mounting

|               |   |
|---------------|---|
| Assembly note | One opening is sealed with a plastic filler plug and can be opened using a screwdriver. |
|---------------|---|

## Environmental and real-life conditions

### Ambient conditions

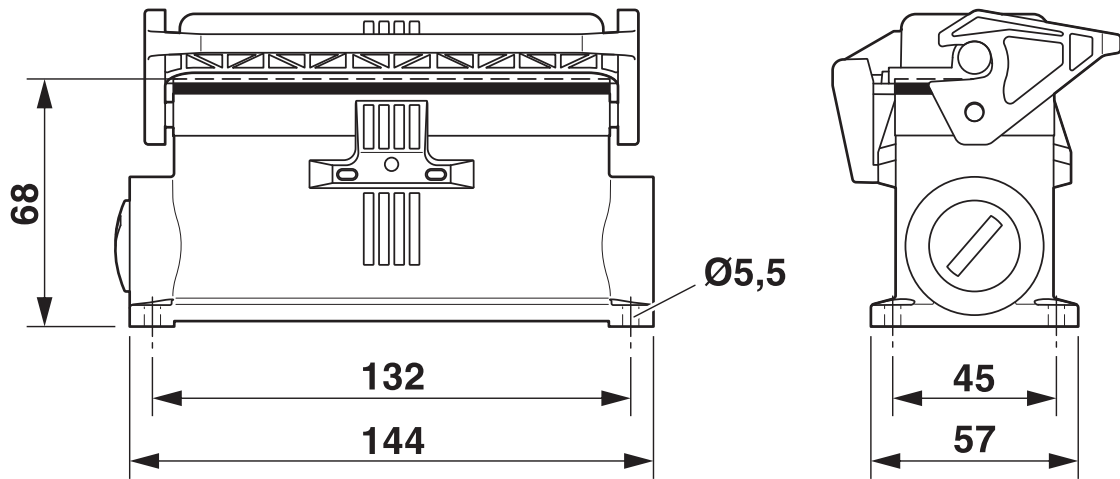
|                                 |   |
|---------------------------------|---|
| Degree of protection            | IP66 (with locked protective cover)<br>IP67 (when plugged in) |
| Impact strength                 | IK08  |
| Ambient temperature (operation) | -40 °C ... 125 °C   |

1412882

<https://www.phoenixcontact.com/gb/products/1412882>

## Drawings

Dimensional drawing



Dimensional drawing

1412882

<https://www.phoenixcontact.com/gb/products/1412882>

## Approvals

🔗 To download certificates, visit the product detail page: <https://www.phoenixcontact.com/gb/products/1412882>

**DNV**

Approval ID: TAE000037S

**ENEC**

**EAC**

Approval ID: RU C-DE.AI30.B.01102

1412882

<https://www.phoenixcontact.com/gb/products/1412882>

## Classifications

### ECLASS

|             |          |
|-------------|----------|
| ECLASS-13.0 | 27440202 |
| ECLASS-15.0 | 27440202 |

### ETIM

|           |          |
|-----------|----------|
| ETIM 10.0 | EC000437 |
|-----------|----------|

### UNSPSC

|             |          |
|-------------|----------|
| UNSPSC 21.0 | 31261500 |
|-------------|----------|

1412882

<https://www.phoenixcontact.com/gb/products/1412882>

## Environmental product compliance

### EU RoHS

|   |                    |
|---|--------------------|
| Fulfills EU RoHS substance requirements | Yes, No exemptions |
|---|--------------------|

### China RoHS

|  |  |
|--|--|
| Environment friendly use period (EFUP) | EFUP-E                                   |
|  | No hazardous substances above the limits |

### EU REACH SVHC

|                                     |                            |
|-------------------------------------|----------------------------|
| REACH candidate substance (CAS No.) | No substance above 0.1 wt% |
|-------------------------------------|----------------------------|

### EF3.1 Climate Change

|         |              |
|---------|--------------|
| CO2e kg | 6.72 kg CO2e |
|---------|--------------|

Phoenix Contact 2026 © - all rights reserved  
<https://www.phoenixcontact.com>

PHOENIX CONTACT Ltd  
Halesfield 13, Telford  
Shropshire, TF7 4PG  
01952 681700  
[info@phoenixcontact.co.uk](mailto:info@phoenixcontact.co.uk)