

# CK2,5-ED-1,50BU AG - Crimp contact



1663679

<https://www.phoenixcontact.com/gb/products/1663679>

Please be informed that the data shown in this PDF document is generated from our online catalog. Please find the complete data in the user documentation. Our general terms of use for downloads are valid.



Crimp contact, series: HC-M-06, Socket, turned, contact diameter: 2.5 mm, connection cross section: 1.5 mm<sup>2</sup> ... 1.5 mm<sup>2</sup>, AWG 16...16, contact material: Cu alloy

## Commercial data

Item number	1663679
Packing unit	100 pc
Minimum order quantity	100 pc
Sales key	AF7AID
Product key	AF7AID
GTIN	4017918123482
Weight per piece (including packing)	1.58 g
Weight per piece (excluding packing)	1.58 g
Customs tariff number	85366990
Country of origin	DE

# CK2,5-ED-1,50BU AG - Crimp contact



1663679

<https://www.phoenixcontact.com/gb/products/1663679>

## Technical data

### Notes

General	for HC-M-06..., HC-M-HV-, HC-M-08-, HC-M-20-, HC-A..., HC-B.., HC-BB..., HC-BBB..., and HC-HV contact carriers
Assembly note	The quality of a crimp connection is determined by DIN EN 60352-2.

### Product properties

Series	HC-M-06
	HC-M-HV
	HC-M-08
	HC-A
	HC-BB
	HC-B
	HC-HV
	HC-M-20
	HC-K
	HC-BBB
	HC-Q
	HC-COM
Contact material type	turned

### Connection data

#### Connection technology

Contact connection type	Socket
Connection method	Crimp connection

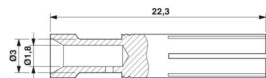
#### Conductor connection

Stripping length	7.5 mm (9.5 mm at HC-M-HV...)
Connection cross section	1.5 mm <sup>2</sup> ... 1.5 mm <sup>2</sup>
Connection cross section AWG	16 ... 16

### Material specifications

Material Contact	Cu alloy
Material Contact surface	Ag

### Dimensions

Dimensional drawing	
Diameter (Contact diameter)	2.5 mm

### Mechanical properties

# CK2,5-ED-1,50BU AG - Crimp contact



1663679

<https://www.phoenixcontact.com/gb/products/1663679>

## Mechanical data

Insertion/withdrawal cycles

≥ 500

## Environmental and real-life conditions

### Ambient conditions

Ambient temperature (operation)

-40 °C ... 125 °C

# CK2,5-ED-1,50BU AG - Crimp contact

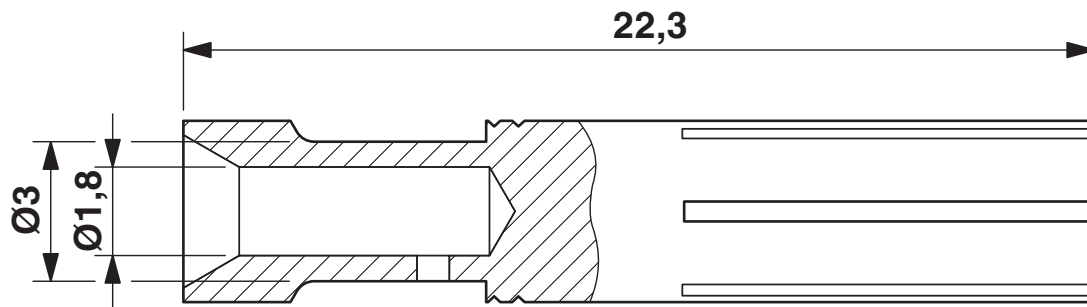


1663679

<https://www.phoenixcontact.com/gb/products/1663679>

## Drawings

Dimensional drawing



Dimensional drawing

# CK2,5-ED-1,50BU AG - Crimp contact



1663679

<https://www.phoenixcontact.com/gb/products/1663679>

## Approvals

To download certificates, visit the product detail page: <https://www.phoenixcontact.com/gb/products/1663679>



**EAC**

Approval ID: RU C-DE.AI30.B.01102

# CK2,5-ED-1,50BU AG - Crimp contact



1663679

<https://www.phoenixcontact.com/gb/products/1663679>

## Classifications

### ECLASS

ECLASS-13.0	27440204
ECLASS-15.0	27440204

### ETIM

ETIM 10.0	EC000796
-----------	----------

### UNSPSC

UNSPSC 21.0	39121500
-------------	----------

# CK2,5-ED-1,50BU AG - Crimp contact



1663679

<https://www.phoenixcontact.com/gb/products/1663679>

## Environmental product compliance

### EU RoHS

Fulfills EU RoHS substance requirements	Yes, No exemptions
---	--------------------

### China RoHS

Environment friendly use period (EFUP)	EFUP-E
	No hazardous substances above the limits

### EU REACH SVHC

REACH candidate substance (CAS No.)	No substance above 0.1 wt%
-------------------------------------	----------------------------

### EF3.1 Climate Change

CO2e kg	0.035 kg CO2e
---------	---------------

Phoenix Contact 2026 © - all rights reserved  
<https://www.phoenixcontact.com>

PHOENIX CONTACT Ltd  
Halesfield 13, Telford  
Shropshire, TF7 4PG  
01952 681700  
[info@phoenixcontact.co.uk](mailto:info@phoenixcontact.co.uk)