

# PLT-SEC-T3-230-FM-PT - Type 3 surge protection device



2907928

<https://www.phoenixcontact.com/gb/products/2907928>

Please be informed that the data shown in this PDF document is generated from our online catalog. Please find the complete data in the user documentation. Our general terms of use for downloads are valid.



Type 2/3 surge protection, consisting of protective plug and base element with Push-in connection. For single-phase power supply network with integrated status indicator and remote signaling. Nominal voltage: 230 V AC/DC

## Your advantages

- Surge protection family for universal use with optimum energy coordination from the lightning current arrester to the device protection
- Easy to maintain due to consistently pluggable protection modules
- Excellent level of information provided by mechanical/visual status indicator and remote indication contact
- Your preferred connection technology can be selected as both screw connection and Push-in connection are available
- Optimal additional protection of the industrial power supply for a longer service life and increased availability of the system
- 5-year warranty on your QUINT 4 power supply when installed together with PLT-SEC, see document in the download area

## Commercial data

Item number	2907928
Packing unit	5 pc
Minimum order quantity	5 pc
Sales key	CL14A3
Product key	CL14A3
GTIN	4055626257655
Weight per piece (including packing)	92.3 g
Weight per piece (excluding packing)	77.16 g
Customs tariff number	85363030
Country of origin	DE

# PLT-SEC-T3-230-FM-PT - Type 3 surge protection device



2907928

<https://www.phoenixcontact.com/gb/products/2907928>

## Technical data

### Product properties

Product family	SEC Family
IEC power supply system	TN-S
	TT
Type	DIN rail module, two-section, divisible
Number of positions	2
Surge protection fault message	Optical, remote indicator contact

### Insulation characteristics

Overvoltage category	III
Pollution degree	2
IEC test classification	II / III
	T2 / T3
EN type	T2 / T3
Number of ports	One

### Electrical properties

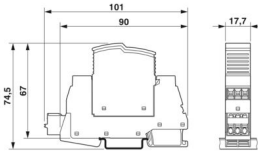
#### Indicator/remote signaling

Connection name	Remote fault indicator contact
Switching function	Changeover contact
Operating voltage	250 V AC
	125 V DC (200 mA DC)
Operating current	0.5 A AC
	0.5 A DC (75 V DC)

### Connection data

Connection method	Push-in connection
Conductor cross-section flexible	0.2 mm <sup>2</sup> ... 2.5 mm <sup>2</sup>
Conductor cross-section rigid	0.2 mm <sup>2</sup> ... 4 mm <sup>2</sup>
Conductor cross-section AWG	24 ... 12

### Dimensions

Dimensional drawing	
Width	17.7 mm
Height	101 mm
Depth	74.5 mm (incl. DIN rail 7.5 mm)
Horizontal pitch	1 Div.

# PLT-SEC-T3-230-FM-PT - Type 3 surge protection device



2907928

<https://www.phoenixcontact.com/gb/products/2907928>

## Material specifications

Color (Male connector)	light gray (RAL 7035)
Color (Base element)	gray (RAL 7042)
Flammability rating according to UL 94	V-0
CTI value of material	600
Insulating material	PA 6.6-FR 20 % GF
	PA 6.6-FR
Housing material	PA 6.6-FR 20 % GF
	PA 6.6-FR

## Protective circuit

Mode of protection	L-N
	L-PE
	N-PE
Direction of action	1L-N & N-PE
Nominal voltage $U_N$	240 V AC (TN-S)
	240 V AC (TT)
Nominal frequency $f_N$	50 Hz (60 Hz)
Maximum continuous operating voltage $U_C$	264 V AC
Rated load current $I_L$	26 A (at 30 °C)
Protective conductor current $I_{PE}$	$\leq 5 \mu\text{A}$
Standby power consumption $P_C$	$\leq 26.4 \text{ mVA}$ (at $U_{REF}$ )
	$\leq 26.4 \text{ mVA}$ (at $U_C$ )
Reference test voltage $U_{REF}$	264 V AC
Nominal discharge current $I_n$ (8/20) $\mu\text{s}$	5 kA
Maximum discharge current $I_{max}$ (8/20) $\mu\text{s}$	10 kA
Combination wave $U_{OC}$	6 kV
Voltage protection level $U_p$ (L-N)	$\leq 1.25 \text{ kV}$ (at $U_{OC}$ )
	$\leq 1.4 \text{ kV}$ (at $I_n$ )
Voltage protection level $U_p$ (L-PE)	$\leq 1.4 \text{ kV}$
Voltage protection level $U_p$ (N-PE)	$\leq 1.4 \text{ kV}$
TOV behavior at $U_T$ (L-N)	400 V AC (5 s / withstand mode)
	457 V AC (120 min / safe failure mode)
TOV behavior at $U_T$ (L-PE)	457 V AC (5 s / withstand mode)
	457 V AC (120 min / withstand mode)
	1464 V AC (200 ms / safe failure mode)
TOV behavior at $U_T$ (N-PE)	1200 V AC (200 ms / safe failure mode)
Response time $t_A$ (L-N)	$\leq 25 \text{ ns}$
Response time $t_A$ (L-PE)	$\leq 100 \text{ ns}$
Response time $t_A$ (N-PE)	$\leq 100 \text{ ns}$
Short-circuit current rating $I_{SCCR}$	10 kA AC
Maximum backup fuse for through wiring	25 A (gG / B / C)
Max. backup fuse with branch wiring	32 A (gG / B / C)

# PLT-SEC-T3-230-FM-PT - Type 3 surge protection device



2907928

<https://www.phoenixcontact.com/gb/products/2907928>

## Additional technical data

Short-circuit current rating $I_{SCCR}$	0.25 kA DC (Without additional backup fuse in the DC branch wiring)
	5 kA DC (for 20 A gG / B backup fuse)
Residual voltage $U_{res}$ (L-N)	$\leq 1.15$ kV (at 2 kA)
	$\leq 1.25$ kV (at 3 kA)
	$\leq 1.1$ kV (at $U_{OC} = 4$ kV)
Residual voltage $U_{res}$ (L-PE)	$\leq 1.1$ kV (at 2 kA)
	$\leq 1.1$ kV (at 3 kA)
	$\leq 1.2$ kV (at $U_{OC} = 4$ kV)
Residual voltage $U_{res}$ (N-PE)	$\leq 1.1$ kV (at 2 kA)
	$\leq 1.1$ kV (at 3 kA)
	$\leq 1.2$ kV (at $U_{OC} = 4$ kV)
Maximum continuous operating voltage $U_C$	275 V AC
	240 V DC
Mode of protection	(DC+) - (DC-)
	(DC+/DC-) - PE
IEC test classification (in accordance with IEC 61643-21)	D1
Impulse durability (wire-wire)	D1 - 500 A
Impulse durability (line-earth)	D1 - 500 A
Pulse discharge current $I_{imp}$ (10/350) $\mu$ s (line-line)	0.5 kA
Pulse discharge current $I_{imp}$ (10/350) $\mu$ s (line-earth)	0.5 kA

## Environmental and real-life conditions

### Ambient conditions

Degree of protection	IP20
Ambient temperature (operation)	-40 °C ... 80 °C
Ambient temperature (storage/transport)	-40 °C ... 80 °C
Altitude	$\leq 2000$ m (operating voltage remote contact $\leq 250$ V)
	$\leq 6000$ m (operating voltage remote contact $\leq 150$ V)
Permissible humidity (operation)	5 % ... 95 %
Shock (operation)	30g (Half-sine / 11 ms / 3x $\pm$ X, $\pm$ Y, $\pm$ Z)
Vibration (operation)	5g (5 ... 500 Hz / 2.5 h / X, Y, Z)

## Standards and regulations

Standards/specifications	IEC 61643-11
Note	2011

### EN 61643-11

Standards/specifications	EN 61643-11
Note	2012

## Mounting

Mounting type	DIN rail: 35 mm
---------------	-----------------

# PLT-SEC-T3-230-FM-PT - Type 3 surge protection device

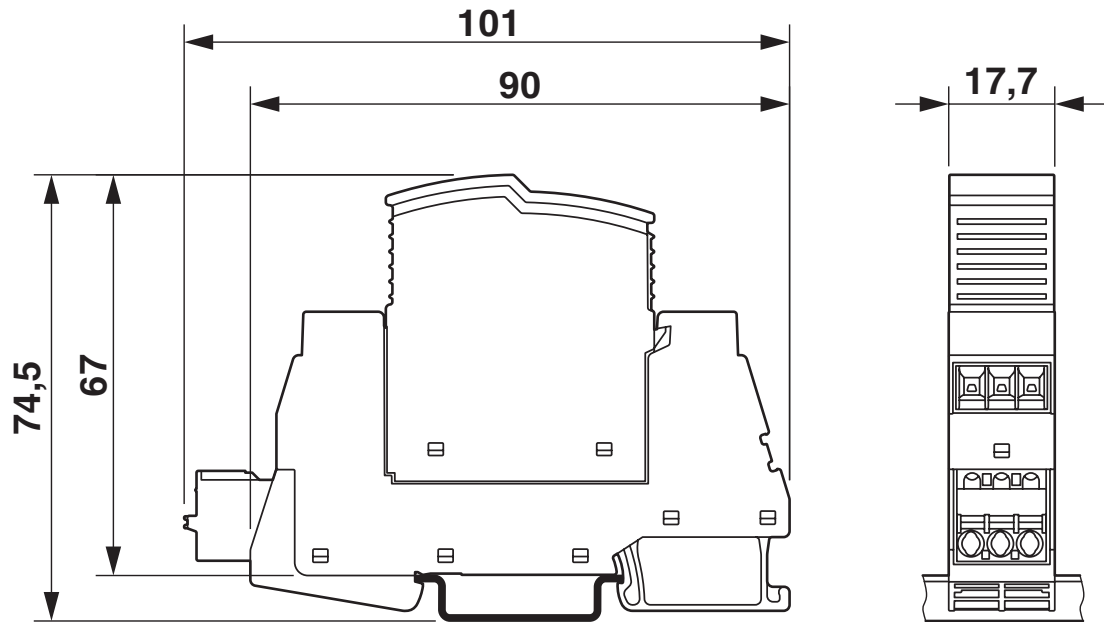


2907928

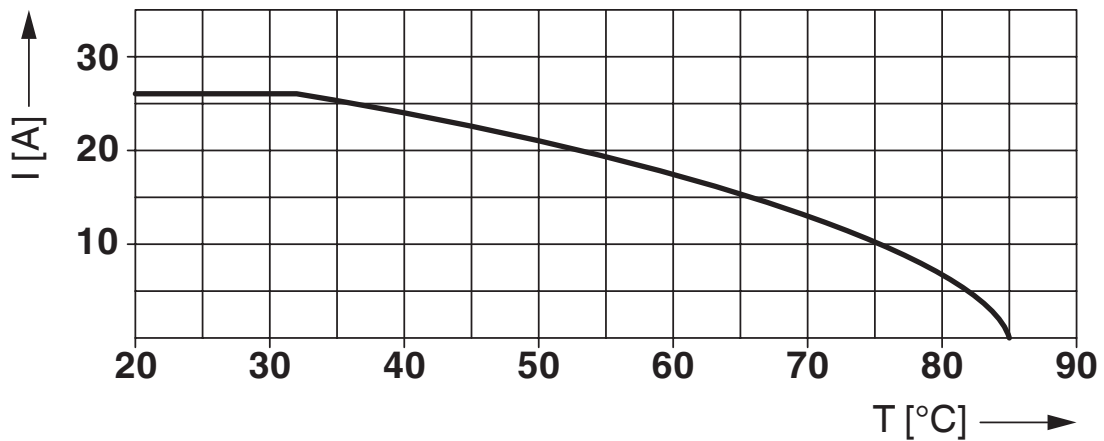
<https://www.phoenixcontact.com/gb/products/2907928>

## Drawings

Dimensional drawing



Diagram



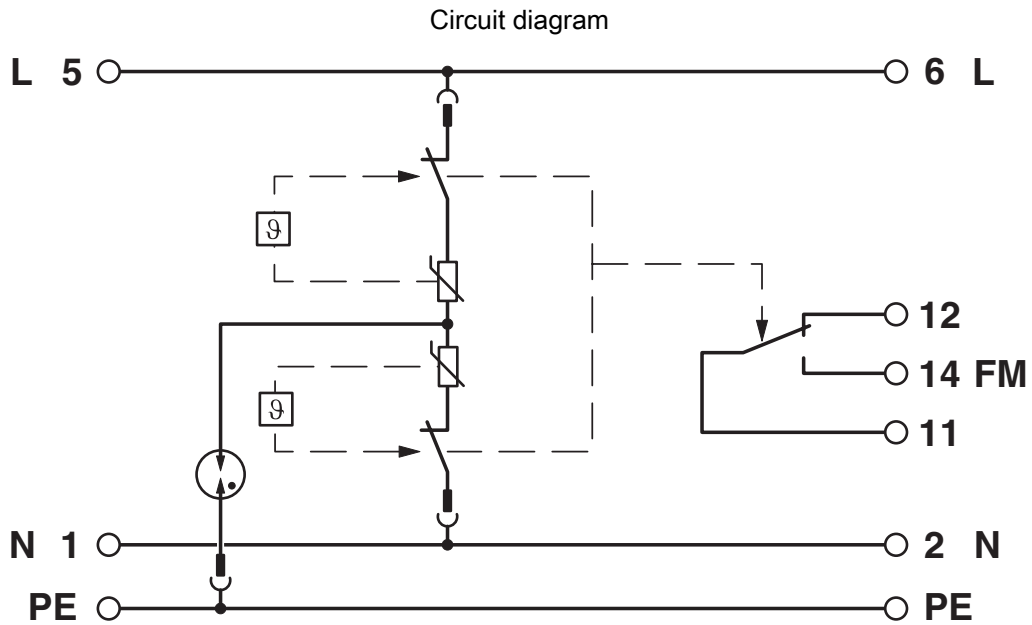
Nominal current depending on ambient temperature

# PLT-SEC-T3-230-FM-PT - Type 3 surge protection device



2907928

<https://www.phoenixcontact.com/gb/products/2907928>



# PLT-SEC-T3-230-FM-PT - Type 3 surge protection device



2907928

<https://www.phoenixcontact.com/gb/products/2907928>

## Approvals

To download certificates, visit the product detail page: <https://www.phoenixcontact.com/gb/products/2907928>



**IECEE CB Scheme**

Approval ID: NL-51083

**CCA**

Approval ID: NTR-NL 7676



**KEMA-KEUR**

Approval ID: 71-103027

**UAE-RoHS**

Approval ID: 23-10-88891

**DNV**

Approval ID: TAE00002U7

# PLT-SEC-T3-230-FM-PT - Type 3 surge protection device



2907928

<https://www.phoenixcontact.com/gb/products/2907928>

## Classifications

### ECLASS

ECLASS-13.0	27171203
ECLASS-15.0	27171203

### ETIM

ETIM 10.0	EC000942
-----------	----------

### UNSPSC

UNSPSC 21.0	39121600
-------------	----------

# PLT-SEC-T3-230-FM-PT - Type 3 surge protection device



2907928

<https://www.phoenixcontact.com/gb/products/2907928>

## Environmental product compliance

### EU RoHS

Fulfills EU RoHS substance requirements	Yes, No exemptions
---	--------------------

### China RoHS

Environment friendly use period (EFUP)	EFUP-E
	No hazardous substances above the limits

### EU REACH SVHC

REACH candidate substance (CAS No.)	No substance above 0.1 wt%
-------------------------------------	----------------------------

Phoenix Contact 2026 © - all rights reserved  
<https://www.phoenixcontact.com>

PHOENIX CONTACT Ltd  
Halesfield 13, Telford  
Shropshire, TF7 4PG  
01952 681700  
[info@phoenixcontact.co.uk](mailto:info@phoenixcontact.co.uk)