



magnetically operated switch contact block 25 x 88 mm, for right-hinged door, contacts: safety contacts 2 NC, signaling contact 1 NC (31-32), with 8 mm latching connection plug 6-pole, without LED, the matching solenoid 3SE6714-2CA or offset by 90° 3SE6724-2CA

product brand name	SIRIUS
product designation	Magnetically operated switch
design of the product	Rectangular sensor unit
product type designation	3SE66
suitability for use safety-related circuits	Yes
General technical data	
product function	
• positive opening	No
• control function for downstream devices	No
• cross-circuit/short-circuit recognition	Yes
type of voltage of the operating voltage	DC
protection class IP	IP67
shock resistance according to IEC 60068-2-27	Sinusoidal half-wave 30g / 11 ms
vibration resistance according to IEC 60068-2-6	10 ... 55 Hz: 1 mm
reference code according to IEC 81346-2	S
Substance Prohibitance (Date)	07/01/2006
Net Weight	0.042 kg
height of the sensor	25 mm
length of the sensor	13 mm
width of the sensor	88 mm
material of the active sensor area	Plastic, glass-fiber reinforced thermoplastic
Ambient conditions	
ambient temperature during operation	-25 ... +70 °C
Control circuit/ Control	
type of voltage	DC
operating voltage rated value	30 V
operational current rated value	400 mA
operating power rated value	10 W
number of NC contacts for auxiliary contacts	3
number of NC contacts safety-related	2
number of NO contacts for auxiliary contacts	0
number of NO contacts safety-related	0
Enclosure	
material of the enclosure	Plastic, glass-fiber reinforced thermoplastic
opening direction of the door	right
Actuator	
design of the actuating element	magnet
Display	
evaluation unit required	yes

Contact	
switching frequency	5 Hz
assured operating distance OFF	17 mm
assured operating distance ON	7 mm
design of the switching function	NC contact
number of switching contacts for signaling function	1
• safety-related	0

Installation/ mounting/ dimensions	
fastening method	screw fixing

Connections/ Terminals	
type of electrical connection	Latching connection 8 mm, 6-pole

Inputs/ Outputs	
number of semiconductor outputs	
• for signaling function	0
• safety-related	0
number of outputs as contact-affected switching element	
• as NC contact	
— for signaling function instantaneous contact	1
— safety-related instantaneous contact	2
• as NO contact safety-related instantaneous contact	0

Safety related data	
category according to EN 954-1	4
proportion of dangerous failures	
• with low demand rate according to SN 31920	50 %
• with high demand rate according to SN 31920	50 %
B10 value with high demand rate according to SN 31920	12 500 000
ISO 13849	
performance level (PL) according to EN ISO 13849-1	e
IEC 61508	
Safety Integrity Level (SIL) according to IEC 61508	3
T1 value for proof test interval or service life according to IEC 61508	20 a

Approvals Certificates		
General Product Approval	EMV	Functional Safety



[Miscellaneous](#)

other	Environment
-------	-------------



[Confirmation](#)

[Environmental Con-
firmations](#)

Further information

Information on the packaging

<https://support.industry.siemens.com/cs/ww/en/view/109813875>

Information for data generation and storage

<https://support.industry.siemens.com/cs/ww/en/view/109995012>

Information- and Downloadcenter (Catalogs, Brochures,...)

<https://www.siemens.com/ic10>

Industry Mall (Online ordering system)

<https://mall.industry.siemens.com/mall/en/en/Catalog/product?mlfb=3SE6627-2CA01>

Cax online generator

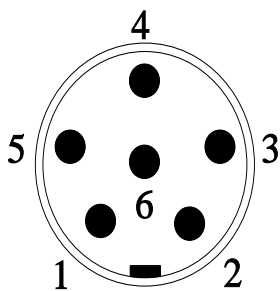
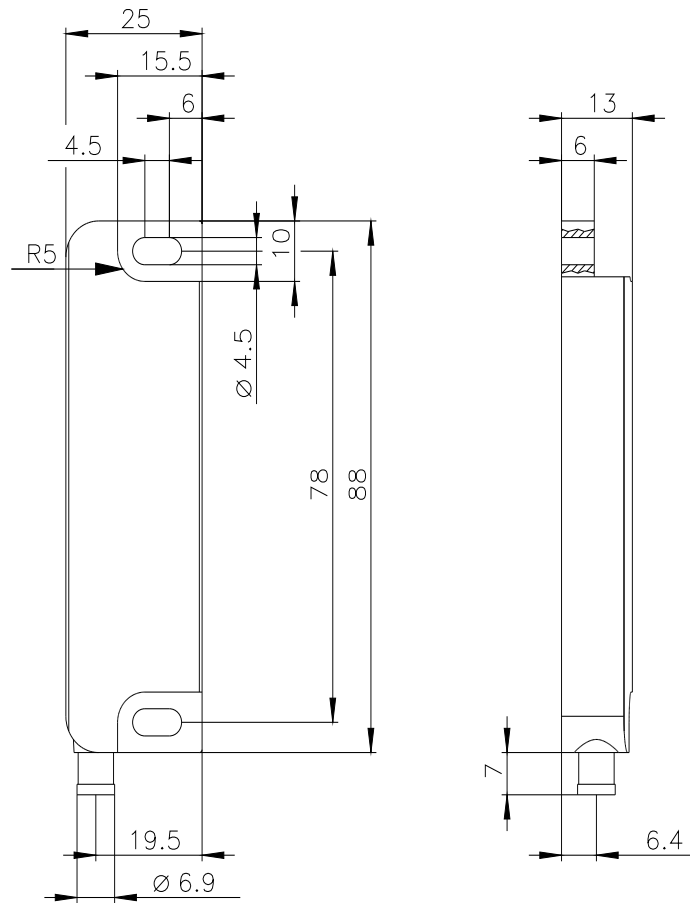
<https://support.automation.siemens.com/WW/CAXorder/default.aspx?lang=en&mlfb=3SE6627-2CA01>

Service&Support (Manuals, Certificates, Characteristics, FAQs,...)

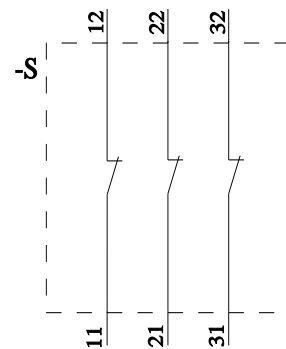
<https://support.industry.siemens.com/cs/ww/en/ps/3SE6627-2CA01>

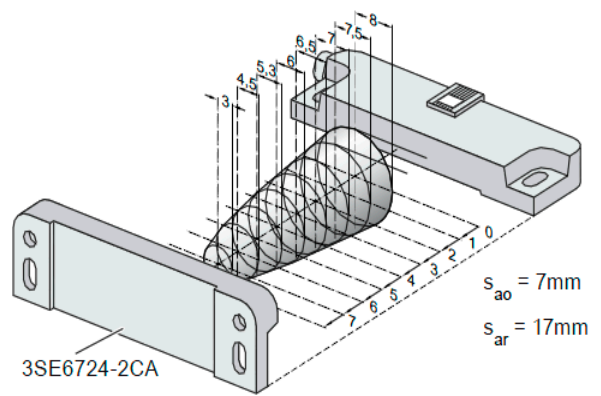
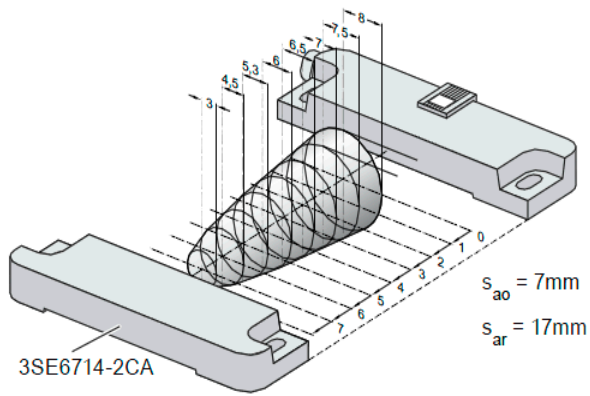
Image database (product images, 2D dimension drawings, 3D models, device circuit diagrams, EPLAN macros, ...)

https://www.automation.siemens.com/bilddb/cax_de.aspx?mlfb=3SE6627-2CA01&lang=en



PIN 1	→	21
PIN 2	→	22
PIN 3	→	11
PIN 4	→	12
PIN 5	→	31
PIN 6	→	32





last modified:

9/6/2025 