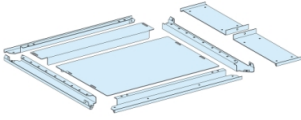


Product datasheet

Specifications

Two-part gland plate, PrismaSeT P, IP31, for enclosure W 650+150mm D 600mm



LVS08697

EAN Code: 3606481877673

Main

Range of product	PrismaSeT P
Range	PrismaSeT
Range compatibility	PrismaSeT PrismaSeT P cubicle
Product or component type	Gland plate
Product compatibility	IP31 enclosure

Complementary

Enclosure/cubicle description	Cubicle + duct - width 650 + 150 mm
Type of gland plate	Two part gland plate
Material	Treated sheet steel
Quantity per set	Set of 1
Width	800 mm
Depth	600 mm
Product weight	5.82 kg
Surface finish	Textured Matt
Protective treatment	Electrophoresis treatment and hot-polymerised polyester epoxy powder
Colour	White (RAL 9003)

Environment

IP degree of protection	IP31
-------------------------	------

Packing Units

Unit Type of Package 1	PCE
Number of Units in Package 1	1
Package 1 Height	3.000 cm
Package 1 Width	39.500 cm
Package 1 Length	57.200 cm
Package 1 Weight	5.832 kg
Unit Type of Package 2	X12
Number of Units in Package 2	32
Package 2 Height	45.000 cm
Package 2 Width	80.000 cm

Package 2 Length	120.000 cm
------------------	------------

Package 2 Weight	203.000 kg
------------------	------------

Logistical informations

Country of origin	FR
-------------------	----

Contractual warranty

Warranty (in months)	18
----------------------	----



Environmental Data

Schneider Electric aims to achieve Net Zero status by 2050 through supply chain partnerships, lower impact materials, and circularity via our ongoing “Use Better, Use Longer, Use Again” campaign to extend product lifetimes and recyclability.

[Environmental Data explained >](#)

[How we assess product sustainability >](#)



Environmental footprint

[Environmental Disclosure](#)

[Product Environmental Profile](#)

Use Better



Materials and Substances

Packaging made with recycled cardboard

Yes

Packaging without single use plastic

No

EU RoHS Directive

[Compliant](#)

REACH Regulation

[Free of Substances of Very High Concern above the threshold](#)

Halogen-free status

Halogen free plastic parts product

PVC free

Yes

Silicone-free

Yes

Use Longer



Lifetime extension

Repair

No

Use Again



Repack and remanufacture

End of life manual availability

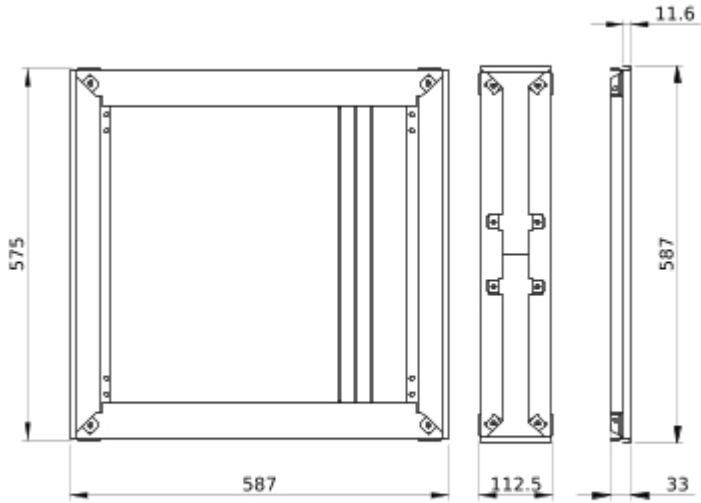
No need of specific recycling operations

Take-back

Nej

Technical Illustration

Dimensions



- All dimensions are approximate and are in mm
- Also see technical documentation.