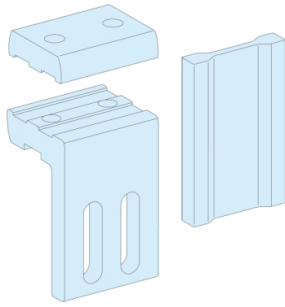


Product datasheet

Specifications



CONNECT.1600A 10MM HZ BAR/ LGY V.PROFILE

LVS04636

EAN Code: 3606481868053

Main

Range	Linergy
Range of product	Linergy
Product or component type	Connection
Product name	Linergy LGY
product name	PrismaSeT PrismaSeT P enclosure Linergy Linergy LGY busbar
Accessory / separate part category	Current distribution accessory
Standards	IEC 61439-2, inside enclosure IEC 61439-1, inside enclosure
Product certifications	ASTA

Complementary

Cubicle-device connection	Linergy busbar 10 mm horizontal busbar vertical busbar
Poles description	3P 4P
installation description	Cubicle - width 400 mm
Installed device	ComPact: fixed NS630b...1000 - control: toggle vertical installation ComPact: fixed NS1250 - control: toggle vertical installation ComPact: fixed NS630b...1000 - control: direct front rotary handle vertical installation ComPact: fixed NS1250 - control: direct front rotary handle vertical installation ComPact: fixed NS630b...1000 - control: motor mechanism vertical installation ComPact: fixed NS1250 - control: motor mechanism vertical installation ComPact: fixed NS1600 - control: toggle vertical installation ComPact: fixed NS1600 - control: direct front rotary handle vertical installation ComPact: fixed NS1600 - control: motor mechanism vertical installation Masterpact: fixed NT06...10 - control: toggle vertical installation Masterpact: fixed NT12 - control: toggle vertical installation Masterpact: drawout NT06...10 - control: toggle vertical installation Masterpact: drawout NT12 - control: toggle vertical installation Masterpact: fixed NT16 - control: toggle vertical installation Masterpact: drawout NT16 - control: toggle vertical installation
[I _e] rated operational current	1600 A
Product weight	1.52 kg
Quantity per set	Set of 1

Disclaimer: This documentation is not intended as a substitute for and is not to be used for determining suitability or reliability of these products for specific user applications

functional unit	400 mm 400 mm PrismaSeT P cubicle ComPact NS1250 fixed toggle vertical 3P 1 direct 36
	400 mm 400 mm PrismaSeT P cubicle ComPact NS1250 fixed toggle vertical 4P 1 direct 36
	400 mm 400 mm PrismaSeT P cubicle ComPact NS1250 fixed direct front rotary handle vertical 3P 1 direct 36
	400 mm 400 mm PrismaSeT P cubicle ComPact NS1250 fixed direct front rotary handle vertical 4P 1 direct 36
	400 mm 400 mm PrismaSeT P cubicle ComPact NS1250 fixed motor mechanism vertical 3P 1 direct 36
	400 mm 400 mm PrismaSeT P cubicle ComPact NS1250 fixed motor mechanism vertical 4P 1 direct 36
	400 mm 400 mm PrismaSeT P cubicle ComPact NS1600 fixed toggle vertical 3P 1 direct 36
	400 mm 400 mm PrismaSeT P cubicle ComPact NS1600 fixed toggle vertical 4P 1 direct 36
	400 mm 400 mm PrismaSeT P cubicle ComPact NS1600 fixed direct front rotary handle vertical 3P 1 direct 36
	400 mm 400 mm PrismaSeT P cubicle ComPact NS1600 fixed direct front rotary handle vertical 4P 1 direct 36
	400 mm 400 mm PrismaSeT P cubicle ComPact NS1600 fixed motor mechanism vertical 3P 1 direct 36
	400 mm 400 mm PrismaSeT P cubicle ComPact NS1600 fixed motor mechanism vertical 4P 1 direct 36
	400 mm 400 mm PrismaSeT P cubicle ComPact NS630b...1000 fixed toggle vertical 3P 1 direct 36
	400 mm 400 mm PrismaSeT P cubicle ComPact NS630b...1000 fixed toggle vertical 4P 1 direct 36
	400 mm 400 mm PrismaSeT P cubicle ComPact NS630b...1000 fixed direct front rotary handle vertical 3P 1 direct 36
	400 mm 400 mm PrismaSeT P cubicle ComPact NS630b...1000 fixed direct front rotary handle vertical 4P 1 direct 36
	400 mm 400 mm PrismaSeT P cubicle ComPact NS630b...1000 fixed motor mechanism vertical 3P 1 direct 36
	400 mm 400 mm PrismaSeT P cubicle ComPact NS630b...1000 fixed motor mechanism vertical 4P 1 direct 36
	400 mm 400 mm PrismaSeT P cubicle Masterpact NT06...10 drawout toggle vertical 3P 1 front connection 36
	400 mm 400 mm PrismaSeT P cubicle Masterpact NT06...10 fixed toggle vertical 3P 1 front connection 36
	400 mm 400 mm PrismaSeT P cubicle Masterpact NT12 drawout toggle vertical 3P 1 front connection 36
	400 mm 400 mm PrismaSeT P cubicle Masterpact NT12 fixed toggle vertical 3P 1 front connection 36
	400 mm 400 mm PrismaSeT P cubicle Masterpact NT16 drawout toggle vertical 3P 1 front connection 36
	400 mm 400 mm PrismaSeT P cubicle Masterpact NT16 fixed toggle vertical 3P 1 front connection 36

Packing Units

Unit Type of Package 1	PCE
Number of Units in Package 1	1
Package 1 Height	4.500 cm
Package 1 Width	10.000 cm
Package 1 Length	10.000 cm
Package 1 Weight	1.142 kg
Unit Type of Package 2	S02
Number of Units in Package 2	8
Package 2 Height	15.000 cm
Package 2 Width	30.000 cm
Package 2 Length	40.000 cm
Package 2 Weight	9.442 kg
Unit Type of Package 3	P12
Number of Units in Package 3	192

Package 3 Height	60.000 cm
Package 3 Width	80.000 cm
Package 3 Length	120.000 cm
Package 3 Weight	260.000 kg

Logistical informations

Country of origin FR

Contractual warranty

Warranty (in months) 18



Environmental Data

Schneider Electric aims to achieve Net Zero status by 2050 through supply chain partnerships, lower impact materials, and circularity via our ongoing “Use Better, Use Longer, Use Again” campaign to extend product lifetimes and recyclability.

[Environmental Data explained >](#)

[How we assess product sustainability >](#)



Environmental footprint

[Environmental Disclosure](#)

[Product Environmental Profile](#)

Use Better



Materials and Substances

Packaging made with recycled cardboard

Yes

Packaging without single use plastic

Yes

EU RoHS Directive

[Compliant](#)

REACH Regulation

[Free of Substances of Very High Concern above the threshold](#)

Halogen-free status

Halogen free plastic parts product

PVC free

Yes

Silicone-free

Yes

Use Longer



Lifetime extension

Repair

No

Use Again



Repack and remanufacture

End of life manual availability

No need of specific recycling operations

Take-back

Nej

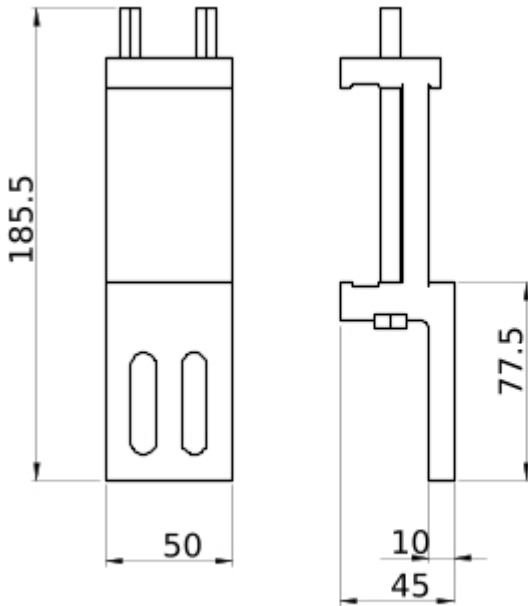
WEEE Label



The product must be disposed on European Union markets following specific waste collection and never end up in rubbish bins

Technical Illustration

Dimensions



- All dimensions are approximate and are in mm.
- Also see technical documentation.