

Product datasheet

Specifications



ADDITIONAL MOUNTING HARDWARE FOR SUPPORTS LINERGY LGYE 2000 & 2500A /BS >80MM

LVS04671

EAN Code: 3606481867179

Main

Range	Linergy
Range of product	Linergy
Product or component type	Mounting hardware
Product name	Linergy BS
Range compatibility	Linergy Linergy LGYE busbar Linergy Linergy BS busbar PrismaSeT PrismaSeT P enclosure PrismaSeT Prisma PH enclosure PrismaSeT Prisma iPM L enclosure PrismaSeT Prisma iPM M enclosure
Product compatibility	Busbar support

Complementary

Cubicle-device connection	busbar
installation description	Cubicle
Product weight	0.08 kg
Quantity per set	Set of 2

Environment

Standards	IEC 61439-1 IEC 61439-2
Product certifications	ASTA

Packing Units

Unit Type of Package 1	PCE
Number of Units in Package 1	1
Package 1 Height	3.000 cm
Package 1 Width	4.000 cm
Package 1 Length	19.000 cm
Package 1 Weight	126.000 g
Unit Type of Package 2	S02
Number of Units in Package 2	50
Package 2 Height	15.000 cm
Package 2 Width	30.000 cm
Package 2 Length	40.000 cm

Package 2 Weight	6.750 kg
Unit Type of Package 3	P12
Number of Units in Package 3	400
Package 3 Height	28.000 cm
Package 3 Width	80.000 cm
Package 3 Length	120.000 cm
Package 3 Weight	64.400 kg

Logistical informations

Country of origin	FR
-------------------	----

Contractual warranty

Warranty (in months)	18
----------------------	----



Environmental Data

Schneider Electric aims to achieve Net Zero status by 2050 through supply chain partnerships, lower impact materials, and circularity via our ongoing “Use Better, Use Longer, Use Again” campaign to extend product lifetimes and recyclability.

[Environmental Data explained >](#)

[How we assess product sustainability >](#)



Environmental footprint

[Environmental Disclosure](#)

[Product Environmental Profile](#)

Use Better



Materials and Substances

Packaging made with recycled cardboard

Yes

Packaging without single use plastic

Yes

EU RoHS Directive

[Compliant](#)

REACH Regulation

[Free of Substances of Very High Concern above the threshold](#)

Halogen-free status

Halogen free plastic parts product

PVC free

Yes

Silicone-free

Yes

Use Longer



Lifetime extension

Repair

No

Use Again



Repack and remanufacture

End of life manual availability

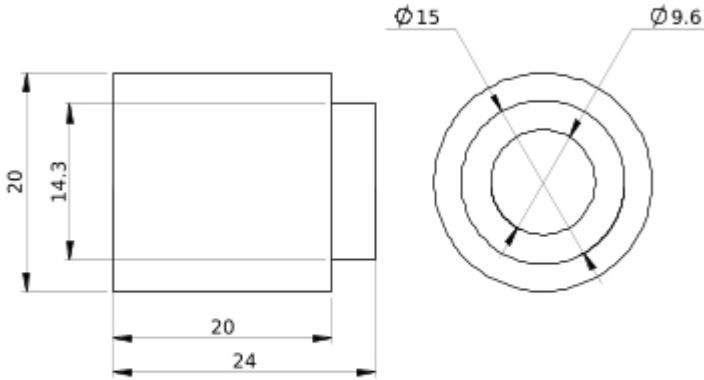
No need of specific recycling operations

Take-back

Nej

Technical Illustration

Dimensions



- All dimensions are approximate and are in
- Also see technical documentation.