



operator kit with Bowden cable Max-Flex operator complete kit comprising: steel handle epoxy-coated NEMA 1, 12, 3R black = OFF, red = ON Bowden cable length 1.2 m (48") switching mechanism accessory for: 3VA55; 3VA65/66 only for the UL market only for UL applications not approved for IEC

Model	
product brand name	SETRON
product designation	operator unit Max-Flex, complete kit
accessories	Operating unit
General technical data	
degree of protection NEMA rating	1, 3R, 12
Mechanical Design	
Net Weight	4.45 kg
Certificates	
General Product Approval	



EG-Konf.



[Confirmation](#)



[Miscellaneous](#)



EMV	Maritime application	other
-----	----------------------	-------



RCM



LRS

[Confirmation](#)

[Miscellaneous](#)

Further information

Information on the packaging

<https://support.industry.siemens.com/cs/ww/en/view/109813875>

Information for data generation and storage

<https://support.industry.siemens.com/cs/ww/en/view/109995012>

Information- and Downloadcenter (Catalogs, Brochures,...)

<https://www.siemens.com/lowvoltage/catalogs>

Industry Mall (Online ordering system)

<https://mall.industry.siemens.com/mall/en/en/Catalog/product?mlfb=3VA9677-0CK72>

Service&Support (Manuals, Certificates, Characteristics, FAQs,...)

<https://support.industry.siemens.com/cs/ww/en/ps/3VA9677-0CK72>

Image database (product images, 2D dimension drawings, 3D models, device circuit diagrams, ...)

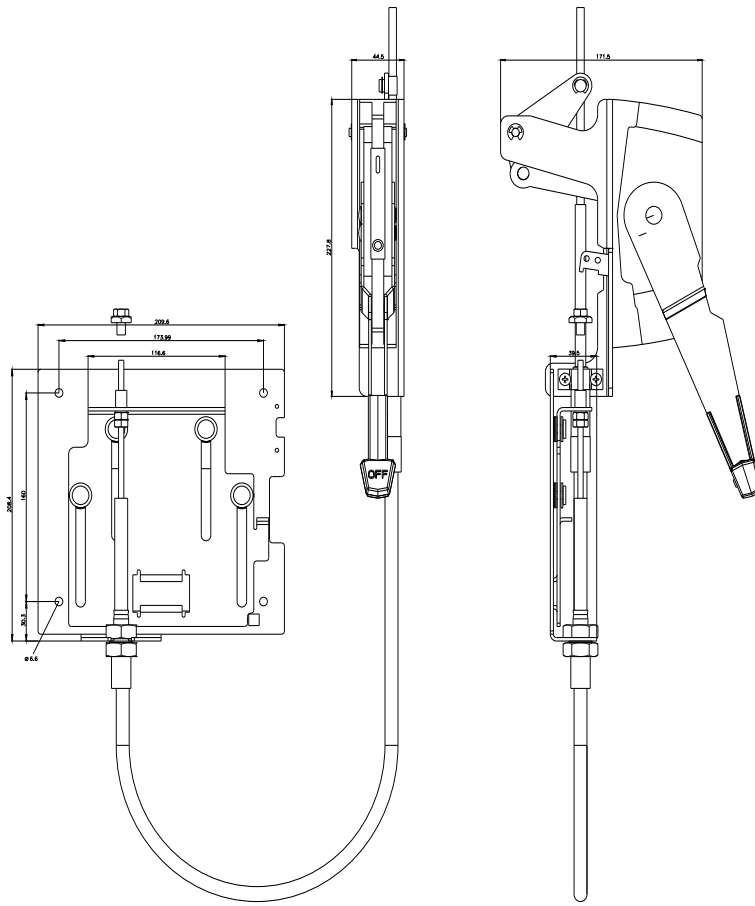
https://www.automation.siemens.com/bilddb/cax_en.aspx?mlfb=3VA9677-0CK72

CAX-Online-Generator

<https://www.siemens.com/cax>

Tender specifications

<https://www.siemens.com/specifications>



last modified:

5/26/2025 

