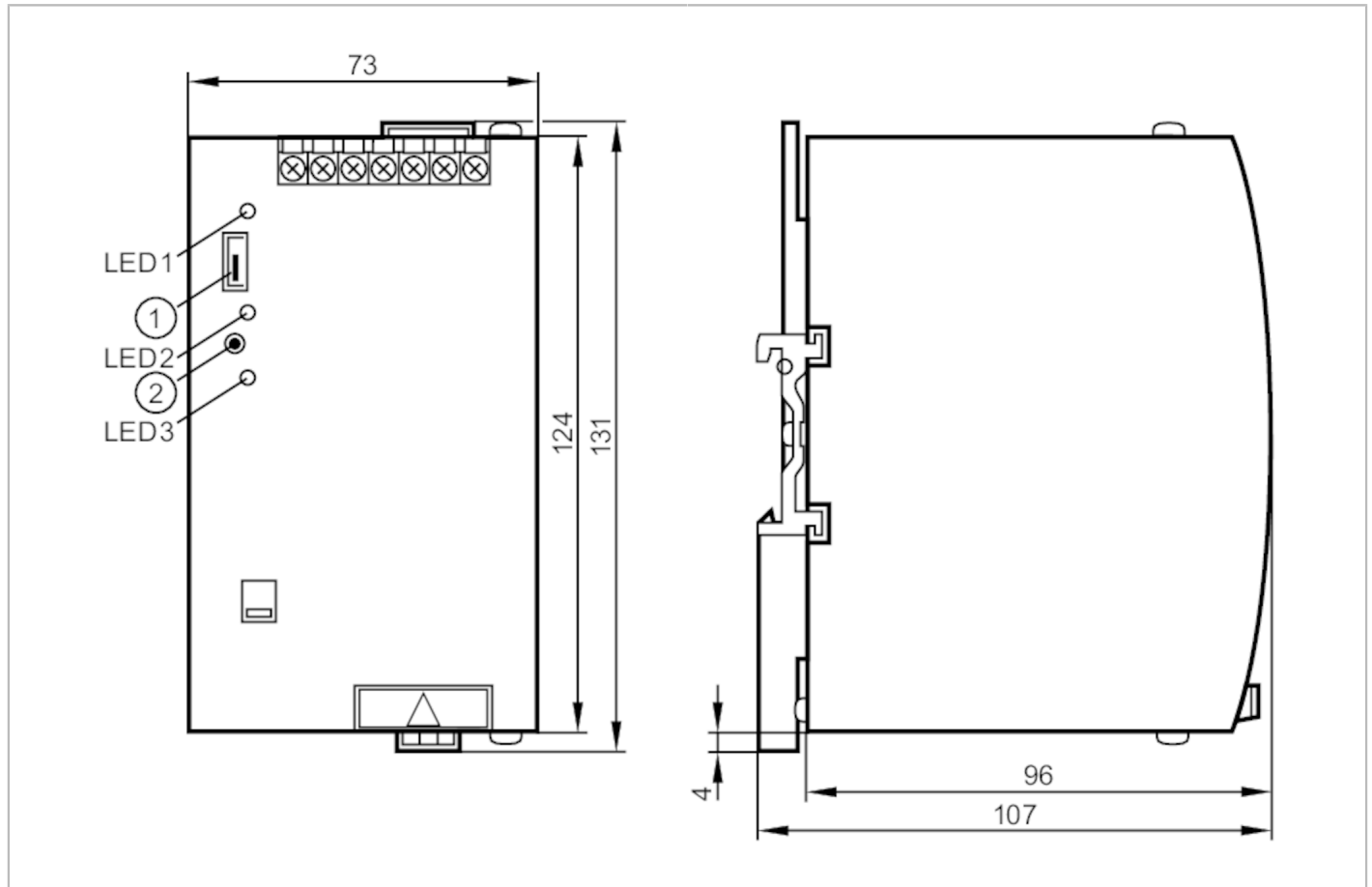


AC1224



AS-Interface power supply

PowerSupply 115/230VAC 4A



Application	
Design	housing for DIN rail mounting, Integrated earth fault monitor
Electrical data	
Frequency AC	[Hz] 47...63
Nominal voltage AC	[V] 110 / 230
Input voltage range AC	[V] 85...132 / 184...264
Protection class	I
Max. power-on delay time	[ms] 100
Output voltage AS-i	[V] 30.5
Output power (permanent)	[W] 122
Number of output circuits	1
Output current AS-i	[A] 4
Max. residual ripple	[mV] 50
External input protection	B 6 A
Derating	[W/K] 3 (60...70 °C)
Integrated data decoupling	yes
Outputs	
Short-circuit protection	yes

AC1224



AS-Interface power supply

PowerSupply 115/230VAC 4A

Type of short-circuit protection	electronically protected
Overload protection	yes
Parallel connection of outputs possible	no
Series connection of outputs possible	no

Operating conditions

Ambient temperature [°C]	-10...70
Note on ambient temperature	observe the free space for convection (see operating instructions)
Protection	IP 20
Pollution degree	2; (IEC 62103: conductive soiling not permitted)

Tests / approvals

EMC	EN 61000-6-1	
	EN 61000-6-2	
	EN 61000-6-4	
MTTF [years]	139	

AS-i classification

AS-i certificate	42301
------------------	-------

Mechanical data

Weight [g]	750
Housing	rectangular
Type of mounting	mounting on DIN rail; (TH35 (EN 60715))
Dimensions [mm]	131 x 73 x 107
Materials	housing: steel sheet

Displays / operating elements

Display	operation	1 LED, green goes off in case of overload U < 28 V
	IR addressing	1 LED, red
	earth fault	1 LED, red

Remarks

Pack quantity	1 pcs.
---------------	--------

AC1224



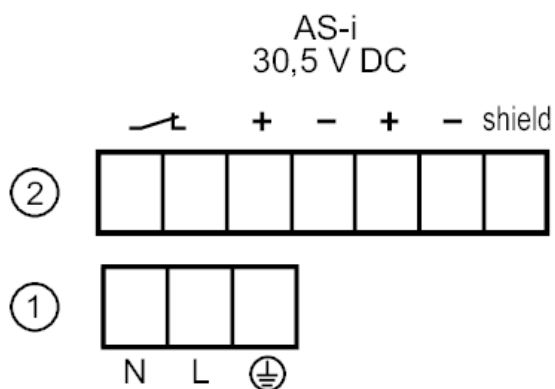
AS-Interface power supply

PowerSupply 115/230VAC 4A

Electrical connection

terminals: ...4 mm²

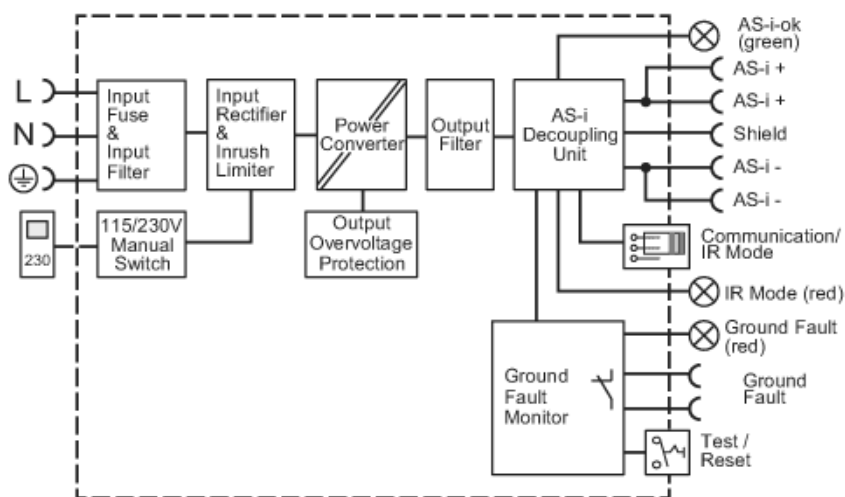
Connection



- GF ok
- GF ok
- AS-i +
- AS-i -
- AS-i +
- AS-i -
- Shield
- N
- L
- PE

Diagrams and graphs

block diagram



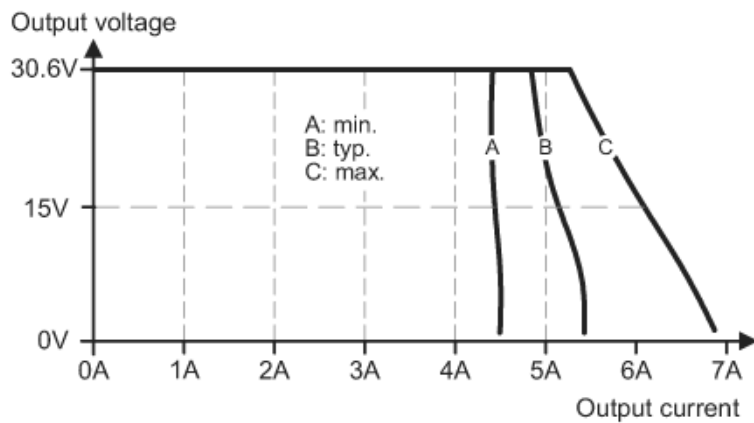
AC1224



AS-Interface power supply

PowerSupply 115/230VAC 4A

output characteristics



characteristic line for derating

