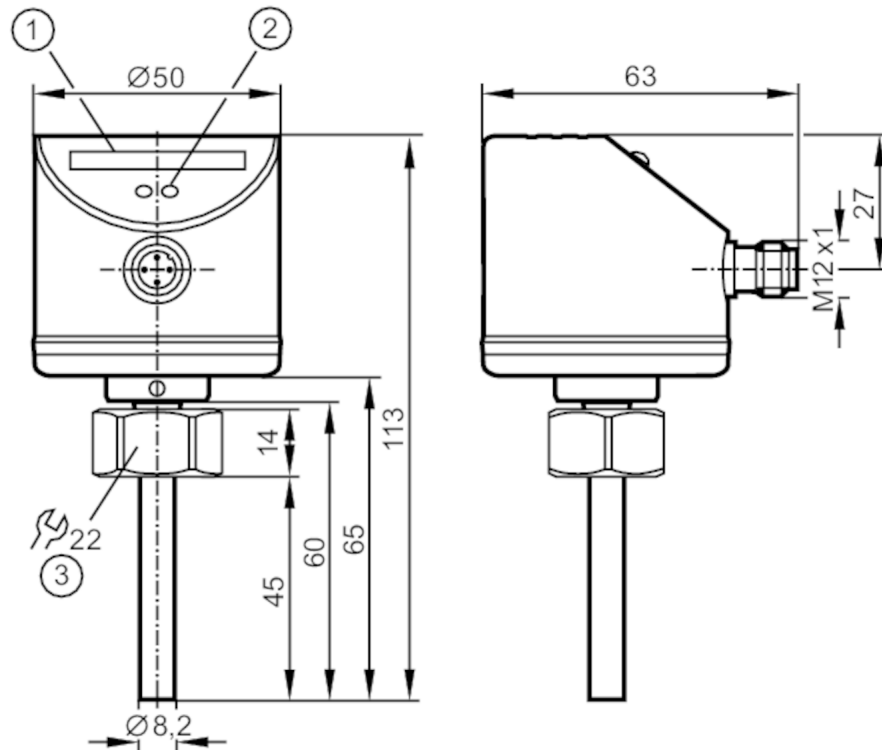


SI0557



Flow monitor

SID10ADBFPKG/US-100



- 1 LED bar display
- 2 setting pushbutton
- 3 Tightening torque 25 Nm



Product characteristics

Number of inputs and outputs	Number of digital outputs: 2
Process connection	threaded connection M18 x 1,5 internal thread

Application

Media	Liquids
Medium temperature [°C]	-15...70
Pressure rating [MPa]	30

Electrical data

Operating voltage [V]	24 DC; (18...32 DC)
Current consumption [mA]	< 60
Protection class	III
Reverse polarity protection	yes
Power-on delay time [s]	10

Inputs / outputs

Number of inputs and outputs	Number of digital outputs: 2
------------------------------	------------------------------

Outputs

Total number of outputs	2
Output signal	switching signal
Electrical design	PNP

SI0557



Flow monitor

SID10ADBFPKG/US-100

Number of digital outputs	2
Output function	normally open / normally closed; (parameterisable)
Max. voltage drop switching output DC [V]	2.5
Permanent current rating of switching output DC [mA]	250
Short-circuit protection	yes
Type of short-circuit protection	pulsed
Overload protection	yes

Measuring/setting range

Probe length L [mm]	45
Setting range [cm/s]	3...300
Greatest sensitivity [cm/s]	3...100

Accuracy / deviations

Repeatability [% of Sr]	1...5
Note on repeatability	for water 5...100 cm/s; 25 °C Factory setting
Temperature drift [cm/s x 1/K]	0.1; (for water 5...100 cm/s; 15...70 °C)
Temperature gradient [K/min]	300
Switch point accuracy [cm/s]	± 10; (for water 5...100 cm/s; 25 °C; Factory setting)
Hysteresis [cm/s]	2...5; (for water 5...100 cm/s; 25 °C; Factory setting)

Response times

Response time [s]	1...10
-------------------	--------

Software / programming

Adjustment of the switch point	pushbutton
--------------------------------	------------

Operating conditions

Ambient temperature [°C]	-25...80
Storage temperature [°C]	-25...100
Protection	IP 67

Tests / approvals

EMC	DIN EN 61000-4-2 ESD	6 kV CD / 8 kV AD
	DIN EN 61000-4-3 HF radiated	10 V/m
	DIN EN 61000-4-4 Burst	2 kV
	DIN EN 61000-4-5 Surge	0,5 kV / 1 kV
	DIN EN 61000-4-6 HF conducted	10 V
Shock resistance	DIN EN 60068-2-27	50 g (11 ms)
Vibration resistance	DIN EN 60068-2-6	1.6 mm (2...25 Hz) / 20 g (25...2000 Hz)
MTTF [years]		267

Mechanical data

Weight [g]	244.85
Housing	cylindrical
Dimensions [mm]	Ø 50 / L = 113
Materials	stainless steel (316L/1.4404); stainless steel (301/1.4310); PC; PBT-GF20; EPDM/X

SI0557



Flow monitor

SID10ADBFPKG/US-100

Materials (wetted parts)	stainless steel (316L/1.4404); O-ring: FKM 80 Shore A		
Process connection	threaded connection M18 x 1,5 internal thread		
Probe diameter	[mm]	8.2	
Installation length EL	[mm]	45	

Displays / operating elements

Display	function	10 x LED, three-colour	
---------	----------	------------------------	--

Remarks

Pack quantity	1 pcs.		
---------------	--------	--	--

Electrical connection

Connector: 1 x M12; coding: A



Connection

