

SB-10KP003 - Crimp contact



1623612

<https://www.phoenixcontact.com/gb/products/1623612>

Please be informed that the data shown in this PDF document is generated from our online catalog. Please find the complete data in the user documentation. Our general terms of use for downloads are valid.



Crimp contact, Pin, turned, contact diameter: 1 mm, connection cross section: 0.5 mm² ... 1 mm², contact material: CuZn

The figure may differ depending on the connection area

Your advantages

- Crimping connection: vibration- and temperature-resistant assembly
- High tensile strength of the connection
- Low contact resistance
- Easy production monitoring

Commercial data

| | |
|--------------------------------------|---------------|
| Item number | 1623612 |
| Packing unit | 100 pc |
| Minimum order quantity | 100 pc |
| Sales key | ABREAD |
| Product key | ABREAD |
| GTIN | 4055626195193 |
| Weight per piece (including packing) | 0.488 g |
| Weight per piece (excluding packing) | 0.47 g |
| Customs tariff number | 85366990 |
| Country of origin | DE |

SB-10KP003 - Crimp contact



1623612

<https://www.phoenixcontact.com/gb/products/1623612>

Technical data

Product properties

| | |
|-----------------------|---------------|
| Product type | Crimp contact |
| Contact material type | turned |

Connection data

Connection technology

| | |
|-------------------------|------------------|
| Contact connection type | Pin |
| Connection method | Crimp connection |

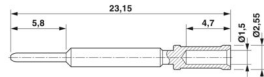
Conductor connection

| | |
|--------------------------|---|
| Connection cross section | 0.5 mm ² ... 1 mm ² |
|--------------------------|---|

Material specifications

| | |
|--|------|
| Material Contact | CuZn |
| Material Metal surface contact area (middle layer) | Ni |
| Material Metal surface contact area (top layer) | Au |

Dimensions

| | |
|-----------------------------|--|
| Dimensional drawing |  |
| Diameter (Contact diameter) | 1 mm |

Mechanical properties

Mechanical data

| | |
|-----------------------------|-----|
| Insertion/withdrawal cycles | 100 |
|-----------------------------|-----|

SB-10KP003 - Crimp contact

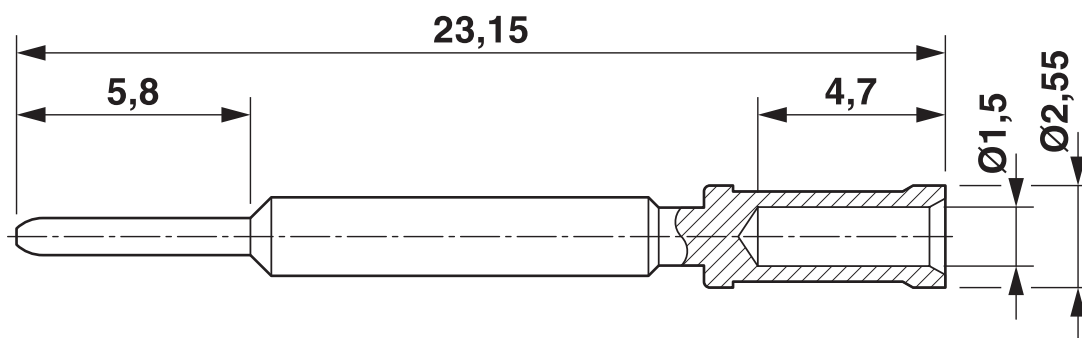


1623612

<https://www.phoenixcontact.com/gb/products/1623612>

Drawings

Dimensional drawing



Dimensional drawing

SB-10KP003 - Crimp contact



1623612

<https://www.phoenixcontact.com/gb/products/1623612>

Classifications

ECLASS

| | |
|-------------|----------|
| ECLASS-13.0 | 27440204 |
| ECLASS-15.0 | 27440204 |

ETIM

| | |
|-----------|----------|
| ETIM 10.0 | EC000796 |
|-----------|----------|

UNSPSC

| | |
|-------------|----------|
| UNSPSC 21.0 | 39121500 |
|-------------|----------|

SB-10KP003 - Crimp contact



1623612

<https://www.phoenixcontact.com/gb/products/1623612>

Environmental product compliance

EU RoHS

| | |
|---|------|
| Fulfills EU RoHS substance requirements | Yes |
| Exemption | 6(c) |

China RoHS

| | |
|--|---|
| Environment friendly use period (EFUP) | EFUP-50 |
| | An article-related China RoHS declaration table can be found in the download area for the respective article under "Manufacturer declaration". For all articles with EFUP-E, no China RoHS declaration table issued and required. |

EU REACH SVHC

| | |
|-------------------------------------|--------------------------------------|
| REACH candidate substance (CAS No.) | Lead(CAS: 7439-92-1) |
| SCIP | 7fd3d6f6-d5d4-4800-880f-cbd0f8bd8356 |

Phoenix Contact 2026 © - all rights reserved

<https://www.phoenixcontact.com>

PHOENIX CONTACT Ltd
Halesfield 13, Telford
Shropshire, TF7 4PG
01952 681700
info@phoenixcontact.co.uk