

# RIF-0-RPT-24DC/21/MS - Relay module



1550107

<https://www.phoenixcontact.com/gb/products/1550107>

Please be informed that the data shown in this PDF document is generated from our online catalog. Please find the complete data in the user documentation. Our general terms of use for downloads are valid.



Pre-assembled relay module with Push-in connection, consisting of: relay base with ejector and plug-in miniature relay with power contact and manual override. Contact switching type: 1 changeover contact. Input voltage: 24 V DC

## Product description

The pluggable electromechanical and solid-state relays in the RIFLINE complete product range and the base are recognized and approved in accordance with UL 508. The relevant approvals can be called up at the individual components in question.

## Commercial data

Item number	1550107
Packing unit	10 pc
Minimum order quantity	10 pc
Sales key	DK6528
Product key	DK6528
GTIN	4067923025950
Weight per piece (including packing)	28.53 g
Weight per piece (excluding packing)	22.22 g
Customs tariff number	85364900
Country of origin	CZ

# RIF-0-RPT-24DC/21/MS - Relay module



1550107

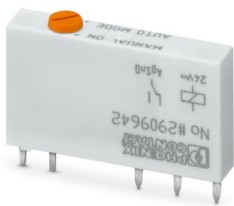
<https://www.phoenixcontact.com/gb/products/1550107>

## Set consists of

### REL-MR- 24DC/21/MS - Single relay

2909642

<https://www.phoenixcontact.com/gb/products/2909642>



Plug-in miniature power relay, with power contact, 1 changeover contact, manual operation, 24 V DC input voltage

---

### RIF-0-BPT/21 - Relay base

2900958

<https://www.phoenixcontact.com/gb/products/2900958>



Relay base RIF-0..., for miniature power relay with 1 changeover contact or solid-state relays of the same design, Push-in connection, for mounting on NS 35/7,5

1550107

<https://www.phoenixcontact.com/gb/products/1550107>

## Technical data

### Product properties

Product type	Relay Module
Product family	RIFLINE complete
Application	Universal
Operating mode	100% operating factor
Mechanical service life	approx. $2 \times 10^7$ cycles

### Insulation characteristics

Insulation	safe isolation
Overvoltage category	III
Pollution degree	2

### Data management status

Date of last data management	20.01.2026
------------------------------	------------

### Electrical properties

Service life electrical	see diagram
Maximum power dissipation for nominal condition	0.22 W
Test voltage (Winding/contact)	4 kV <sub>rms</sub> (50 Hz, 1 min., winding/contact)
Rated insulation voltage	250 V AC
Rated surge voltage	6 kV

### Input data

#### Coil side

Nominal input voltage $U_N$	24 V DC
Input voltage range	19.2 V DC ... 36 V DC (20 °C)
Input voltage range in reference to $U_N$	see diagram
Drive and function	monostable
Drive (polarity)	non-polarized
Typical input current at $U_N$	9 mA
Typical response time	5 ms
Typical release time	8 ms
Coil voltage	24 V DC
Protective circuit	Freewheeling diode
Operating voltage display	Yellow LED

### Output data

#### Switching

Contact switching type	1 changeover contact
Type of switch contact	Single contact
Contact material	AgSnO

# RIF-0-RPT-24DC/21/MS - Relay module



1550107

<https://www.phoenixcontact.com/gb/products/1550107>

Maximum switching voltage	250 V AC/DC
Minimum switching voltage	5 V (100 mA)
Limiting continuous current	6 A
Min. switching current	10 mA (12 V)
Interrupting rating (ohmic load) max.	140 W (24 V DC)
	20 W (48 V DC)
	18 W (60 V DC)
	23 W (110 V DC)
	40 W (220 V DC)
	1500 VA (250 V AC)
Utilization category CB Scheme (IEC 60947-5-1)	AC15, 3 A/250 V (N/O contact)
	AC15, 1 A/250 V (N/C contact)
	DC13, 1.5 A/24 V (N/O contact)
	DC13, 0.2 A/110 V (N/O contact)
	DC13, 0.1 A/220 V (N/O contact)

## Connection data

Connection method	Push-in connection
Stripping length	8 mm
Conductor cross-section rigid	0.14 mm <sup>2</sup> ... 1.5 mm <sup>2</sup>
Conductor cross-section flexible	0.14 mm <sup>2</sup> ... 1.5 mm <sup>2</sup>
	0.14 mm <sup>2</sup> ... 1.5 mm <sup>2</sup> (Ferrule with plastic sleeve)
Conductor cross-section AWG	24 ... 16

## Dimensions

### Item dimensions

Width	6.2 mm
Height	93 mm
Depth	78 mm

## Material specifications

Color	gray (RAL 7042)
Flammability rating according to UL 94 (Housing)	V2 (Housing)

## Environmental and real-life conditions

### Ambient conditions

Degree of protection (Relay base)	IP20 (Relay base)
Degree of protection (Relay)	RT III (Relay)
Ambient temperature (operation)	-40 °C ... 60 °C
Ambient temperature (storage/transport)	-40 °C ... 85 °C

## Approvals

Corrosive gas test

# RIF-0-RPT-24DC/21/MS - Relay module



1550107

<https://www.phoenixcontact.com/gb/products/1550107>

Identification	ISA-S71.04. G3 Harsh Group
	EN 60068-2-60

## Standards and regulations

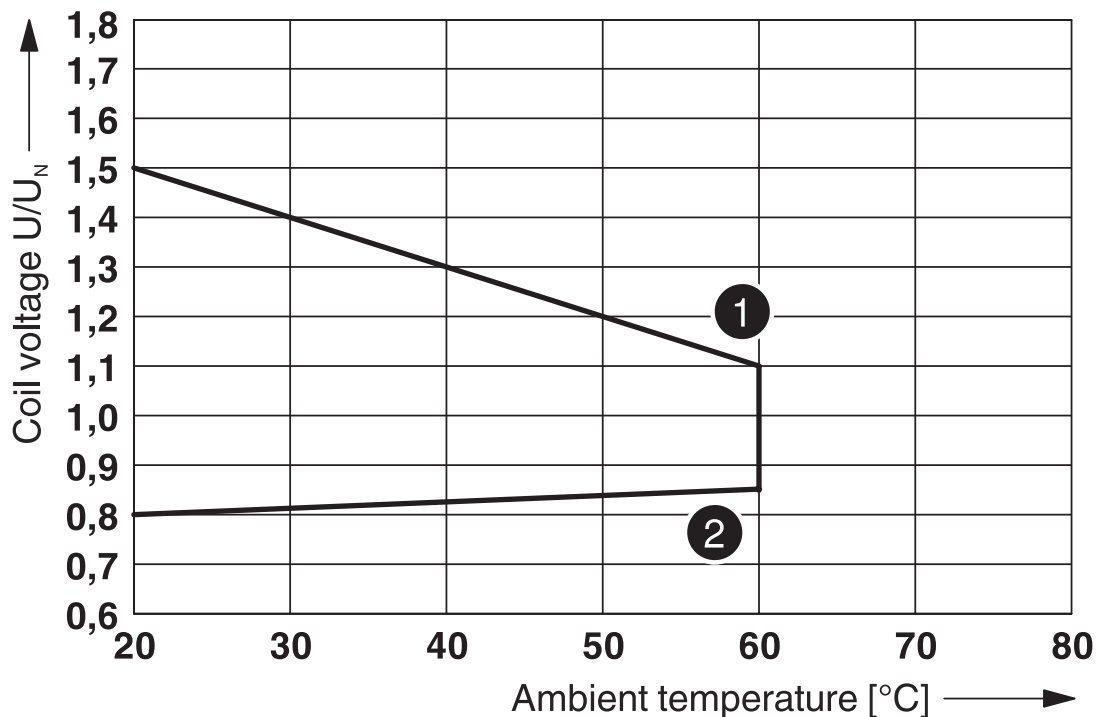
Standards/regulations	IEC 60947-5-1
-----------------------	---------------

## Mounting

Mounting type	DIN rail mounting
Assembly note	in rows with zero spacing
Mounting position	any

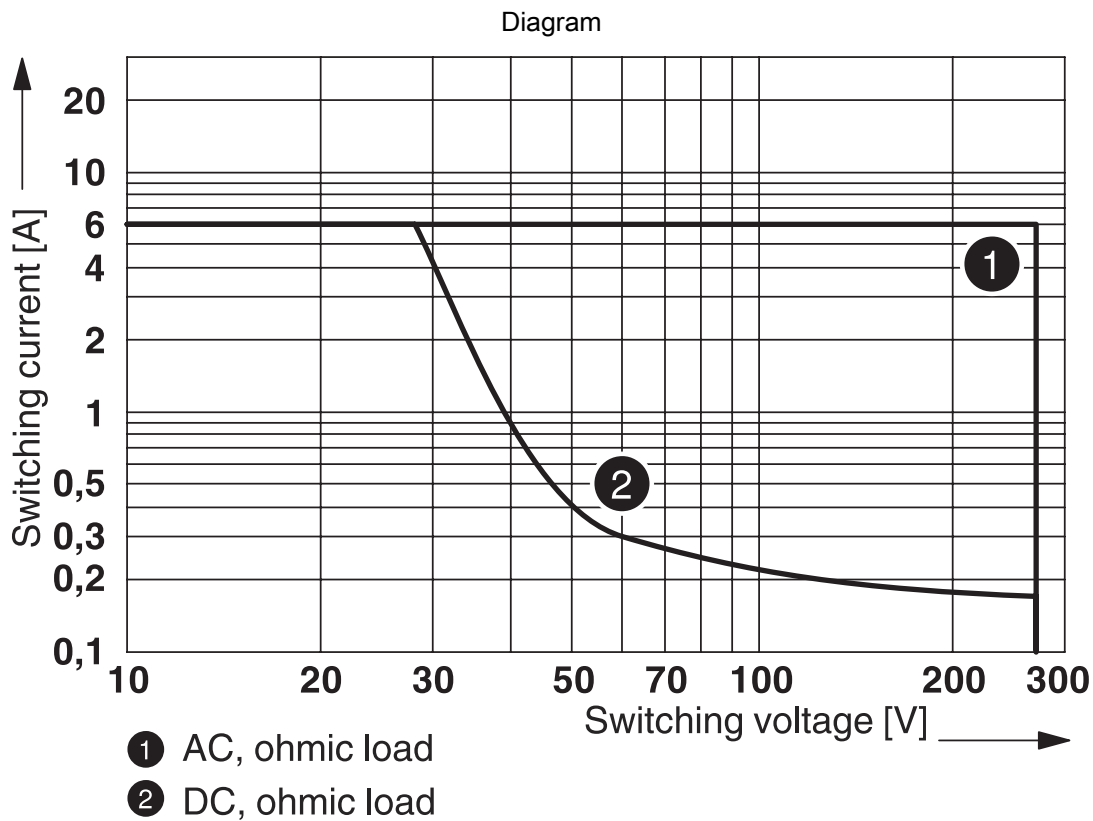
Drawings

Diagram



- ① Maximum continuous voltage at limiting continuous current = 6 A
  - ② Minimum operate voltage
- For pre-excitation with  $U_N$  and limiting continuous current = 6 A

Operating voltage range



Interrupting rating

Diagram



Service life reduction factor

Diagram



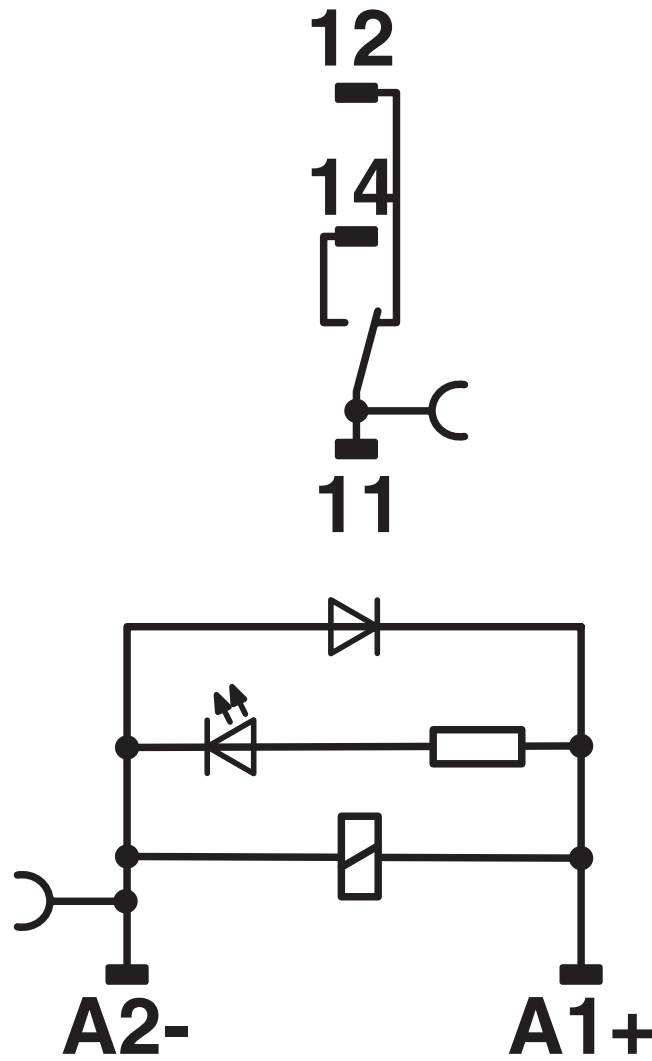
① 250 V AC, ohmic load

Electrical service life

1550107

<https://www.phoenixcontact.com/gb/products/1550107>

Circuit diagram



DC coils

# RIF-0-RPT-24DC/21/MS - Relay module



1550107

<https://www.phoenixcontact.com/gb/products/1550107>

## Approvals

🔗 To download certificates, visit the product detail page: <https://www.phoenixcontact.com/gb/products/1550107>

**DNV**

Approval ID: TAA000018V

1550107

<https://www.phoenixcontact.com/gb/products/1550107>

## Classifications

### ECLASS

ECLASS-13.0	27371601
ECLASS-15.0	27371601

### ETIM

ETIM 10.0	EC001437
-----------	----------

### UNSPSC

UNSPSC 21.0	39122300
-------------	----------

1550107

<https://www.phoenixcontact.com/gb/products/1550107>

## Environmental product compliance

### EU RoHS

Fulfills EU RoHS substance requirements	Yes
Exemption	7(a), 7(c)-I

### China RoHS

Environment friendly use period (EFUP)	EFUP-50
	An article-related China RoHS declaration table can be found in the download area for the respective article under "Manufacturer declaration". For all articles with EFUP-E, no China RoHS declaration table issued and required.

### EU REACH SVHC

REACH candidate substance (CAS No.)	Lead(CAS: 7439-92-1)
SCIP	7c40ad11-9d32-4fbc-9bfa-d9079304cfd0

Phoenix Contact 2026 © - all rights reserved

<https://www.phoenixcontact.com>

PHOENIX CONTACT Ltd  
Halesfield 13, Telford  
Shropshire, TF7 4PG  
01952 681700  
[info@phoenixcontact.co.uk](mailto:info@phoenixcontact.co.uk)