

FA MCR-HT-1TS-I-OLP - Head-mounted transducer



1145210

<https://www.phoenixcontact.com/gb/products/1145210>

Please be informed that the data shown in this PDF document is generated from our online catalog. Please find the complete data in the user documentation. Our general terms of use for downloads are valid.



Output loop-powered head transmitter for transmitting RTD and TC sensor signals, as well as from resistance and voltage sensors via 4 mA ... 20 mA. HART, Standard configuration, Screw connection

Commercial data

Item number	1145210
Packing unit	1 pc
Minimum order quantity	1 pc
Sales key	DK1142
Product key	DK1142
GTIN	4063151135614
Weight per piece (including packing)	187.6 g
Weight per piece (excluding packing)	137.9 g
Customs tariff number	85437090
Country of origin	DE

1145210

<https://www.phoenixcontact.com/gb/products/1145210>

Technical data

Product properties

Product type	Temperature transmitter
Product family	Field Analog
No. of channels	1
Configuration	Software
	HART

Insulation characteristics

Overvoltage category	II
Pollution degree	2

System properties

Functionality

Configuration	Software
	HART

Electrical properties

Electrical isolation between input and output	yes
Step response (0–99%)	1 s (TC)
	1 s (RTD)

Electrical isolation Input/output

Test voltage	2 kV AC (50 Hz, 60 s)
--------------	-----------------------

Supply

Supply voltage range	loop-powered, no external supply necessary
	10 V DC ... 36 V DC (Standard)

Input data

Measurement

Number of inputs	1
Input voltage range	-20 mV ... 100 mV (Minimum measuring span: 5 mV)
Sensor types (RTD) that can be used	Pt, Ni, Cu sensors: 2, 3, 4-wire
Sensor types that can be used (TC)	A, B, C, D, E, J, K, L, N, R, S, T, U
Temperature measuring range	-250 °C ... 2500 °C (Range depending on the sensor type)
Temperature measuring range	≥ 10 K (RTD)
	≥ 50 K (TC)
Linear resistance measuring range	10 Ω ... 2000 Ω (Minimum measuring span: 10 Ω)

Output data

Signal: Current

Current output signal	4 mA ... 20 mA (HART)
-----------------------	-----------------------

FA MCR-HT-1TS-I-OLP - Head-mounted transducer



1145210

<https://www.phoenixcontact.com/gb/products/1145210>

	20 mA ... 4 mA (HART)
Max. current output signal	23 mA
Load	(U _L - 10 V) / 0.023 A
HART coding	FSK ± 0.5 mA
HART version	7
Transmission speed	1200 Baud
Mains frequency filter	50/60 Hz
Communication resistance	≥ 250 Ω
Switch-on delay	≈ ⌀ s (HART) ≈ ⌀ s (Measured value)

Connection data

Connection method	Screw connection
Stripping length	8 mm
Screw thread	M3
Conductor cross-section rigid	0.2 mm ² ... 2.5 mm ²
Conductor cross-section flexible	0.2 mm ² ... 2.5 mm ²
Conductor cross-section AWG	24 ... 14
Tightening torque	0.5 Nm

Ex data

Ex installation (EPL)	Gc Div. 2
-----------------------	--------------

Interfaces

Data communication (bypass)

Protocols supported	HART
---------------------	------

Environmental and real-life conditions

Ambient conditions

Degree of protection	IP00 (upon installation in field housing IP66/67, NEMA 4X)
Ambient temperature (operation)	-40 °C ... 85 °C
Ambient temperature (storage/transport)	-50 °C ... 100 °C
Altitude	≤ 4000 m (Above sea level)
Climatic class	C1
Permissible humidity (operation)	5 % ... 95 % (condensation permitted)

Approvals

CE

Certificate	CE-compliant
-------------	--------------

ATEX

Identification	⊕ II 3 G Ex ec IIC T6
Certificate	PxCIF20ATEX1145192U

FA MCR-HT-1TS-I-OLP - Head-mounted transducer



1145210

<https://www.phoenixcontact.com/gb/products/1145210>

CSA

Identification	Ex ec IIC T6...T4
----------------	-------------------

Mounting

Mounting type	Installation
	DIN rail mounting
Assembly note	Installation in connecting head B in accordance with DIN EN 50446

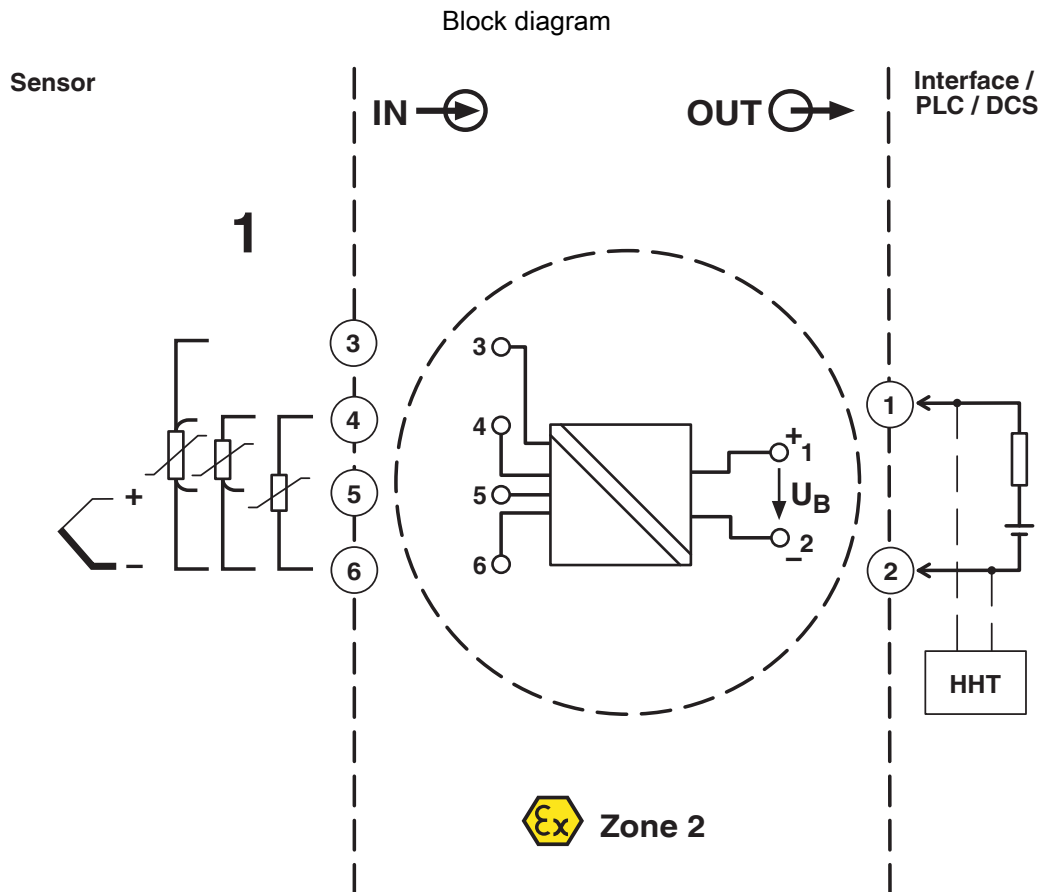
FA MCR-HT-1TS-I-OLP - Head-mounted transducer



1145210

<https://www.phoenixcontact.com/gb/products/1145210>

Drawings



FA MCR-HT-1TS-I-OLP - Head-mounted transducer



1145210

<https://www.phoenixcontact.com/gb/products/1145210>

Approvals

To download certificates, visit the product detail page: <https://www.phoenixcontact.com/gb/products/1145210>



CSA

Approval ID: 80070110



CSAus

Approval ID: 80070110

FA MCR-HT-1TS-I-OLP - Head-mounted transducer



1145210

<https://www.phoenixcontact.com/gb/products/1145210>

Classifications

ECLASS

ECLASS-13.0	27210129
ECLASS-15.0	27210129

ETIM

ETIM 9.0	EC002919
----------	----------

UNSPSC

UNSPSC 21.0	41112100
-------------	----------

1145210

<https://www.phoenixcontact.com/gb/products/1145210>

Environmental product compliance

EU RoHS

Fulfills EU RoHS substance requirements	Yes
Exemption	7(a), 7(c)-I

China RoHS

Environment friendly use period (EFUP)	EFUP-50
	An article-related China RoHS declaration table can be found in the download area for the respective article under "Manufacturer declaration". For all articles with EFUP-E, no China RoHS declaration table issued and required.

EU REACH SVHC

REACH candidate substance (CAS No.)	Lead(CAS: 7439-92-1)
-------------------------------------	----------------------

Phoenix Contact 2026 © - all rights reserved
<https://www.phoenixcontact.com>

PHOENIX CONTACT Ltd
Halesfield 13, Telford
Shropshire, TF7 4PG
01952 681700
info@phoenixcontact.co.uk